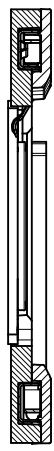
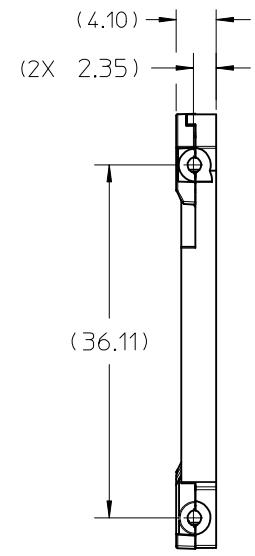
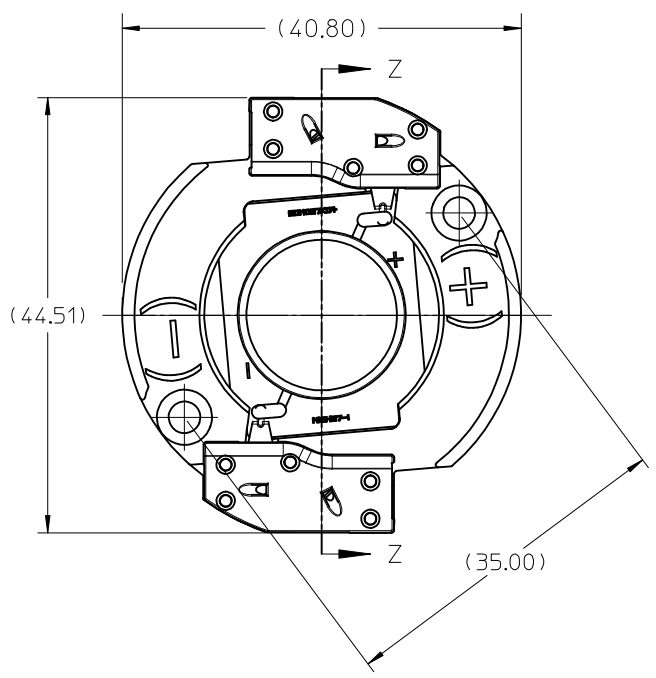


10	9	8	7	6	5	4	3	2	1
PART NUMBER	DESCRIPTION		MATERIAL	COLOR	AGENCY APPROVAL				
180330-0002	LED HOLDER ASSEMBLY - NYLON		POLYAMIDE, GLASS FILLED	NATURAL	UL496 FILE# 345583				
180330-0102	LED HOLDER ASSEMBLY - PBT		POLYESTER, GLASS FILLED	WHITE	-				



SECTION Z-Z

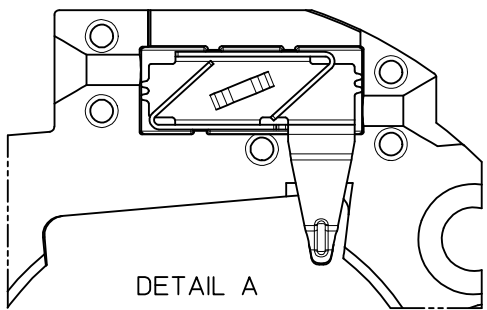
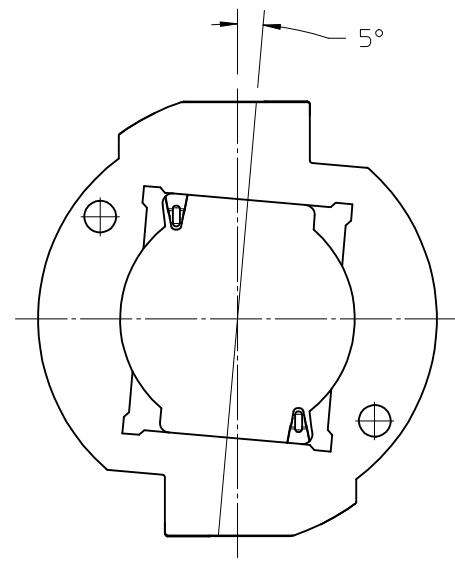
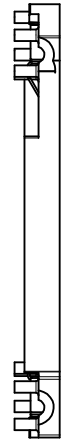
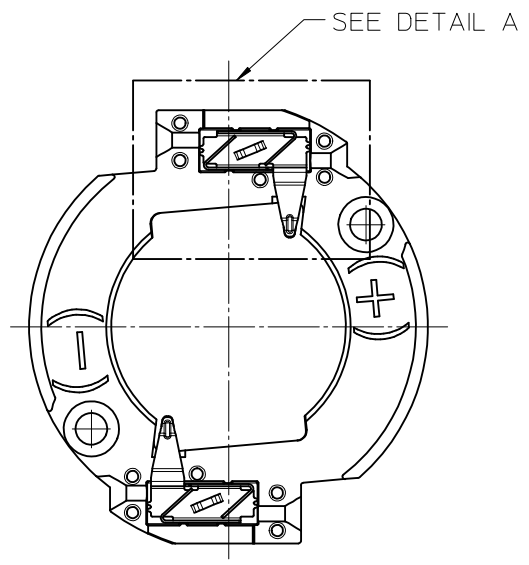


- NOTES:
- MATERIALS: HOUSING AND CAP: SEE CHART  
TERMINAL: COPPER ALLOY;
  - FINISHES: LED CONTACT: GOLD OVER  
NICKEL, WIRE TRAP: TIN OVER NICKEL
  - PRODUCT SPECIFICATION: PS-180330-002
  - PACKGING SPECIFICATION PK-180336-101
  - APPLICATION SPECIFICATION: AS-180328-001
  - APPLICABLE WIRE GAUGE - 18, 20, AND 22 AWG
    - TINNED SOLID WIRE IS PREFERRED
    - FOR STRANDED WIRE, PRE-TINNED IS RECOMMENDED
    - 10 mm +2/-0 mm STRIP LENGTH IS RECOMMENDED
  - MOUNT HOLDER USING M3 OR 4-40 SCREWS (2), SEE SHEET 3 FOR TORQUE SPECIFICATION.
  - THIS PRODUCT IS ELV AND ROHS COMPLIANT
  - ALL DIMENSIONS IN PARENTHESIS (XX.XX) ARE FOR REFERENCE ONLY

ENTER DESCRIPTION EC NO: SSL2017-0012 DRAWN: ZAB, JANOVSKI 2016/08/16 CHKD: APPR: GMEYER 2016/09/21 REV	QUALITY SYMBOLS	GENERAL TOLERANCES (UNLESS SPECIFIED)	DIMENSION STYLE	SCALE	DESIGN UNITS	THIRD ANGLE PROJECTION
	$F/0$	mm INCH	MM ONLY	2:1	METRIC	
	$F/0$	4 PLACES ± --- ± ---	DRAWN BY DATE	TITLE		
	$F/0$	3 PLACES ± --- ± ---	MDEVITO 2012/02/03	COB LED HOLDER 24.0MM X 20.0MM RECTANGULAR COB		
	2 PLACES ± 0.13 ± ---	1 PLACE ± 0.25 ± ---	CHECKED BY DATE	MOLEX INCORPORATED		
	ANGULAR ± 1/2°		MCOLE 2014/03/05	DOCUMENT NO. SD-180330-002		
			APPROVED BY DATE	SHEET NO. 1 OF 3		
			DMCGOWAN 2012/02/07	THIS DRAWING CONTAINS INFORMATION THAT IS PROPRIETARY TO MOLEX INCORPORATED AND SHOULD NOT BE USED WITHOUT WRITTEN PERMISSION		
		DRAFT WHERE APPLICABLE MUST REMAIN WITHIN DIMENSIONS	MATERIAL NO.			
			SEE CHART			
			SIZE B			

10 9 8 7 6 5 4 3 2 1

WIRE TRAP CAPS ARE REMOVED FROM FRONT VIEW FOR CLARITY



DETAIL A  
Scale 4:1

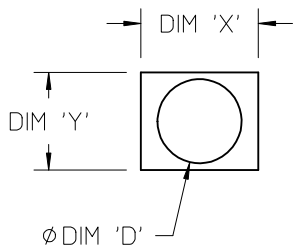
VIEW OF TWO-WAY WIRE TRAP

WIRE TRAPS WILL ACCOMMODATE  
EITHER 18, 20, OR 22 GAUGE WIRE

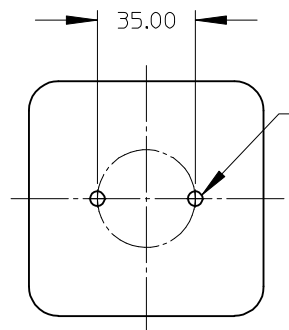
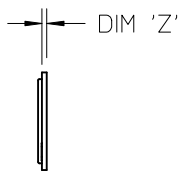
<b>ENTER DESCRIPTION</b> EC NO: SSL2017-0012 DRWNLZABJANOVSKI 2016/08/16 CHKD: APPR:GMEYER 2016/09/21 <b>E2</b>	QUALITY SYMBOLS $\nabla=0$ $\nabla=0$ $\nabla=0$	GENERAL TOLERANCES (UNLESS SPECIFIED) mm INCH 4 PLACES $\pm$ --- $\pm$ --- 3 PLACES $\pm$ --- $\pm$ --- 2 PLACES $\pm$ 0.13 $\pm$ --- 1 PLACE $\pm$ 0.25 $\pm$ --- ANGULAR $\pm$ 1/2°	DIMENSION STYLE <b>MM ONLY</b> DRAWN BY DATE MDEVITO 2012/02/03 CHECKED BY DATE MCOLE 2014/03/05 APPROVED BY DATE DMCGOWAN 2012/02/07 MATERIAL NO.	SCALE <b>2:1</b> DESIGN UNITS <b>METRIC</b> THIRD ANGLE PROJECTION	TITLE <b>COB LED HOLDER                  24.0MM X 20.0MM                  RECTANGULAR COB</b> <b>MOLEX INCORPORATED</b> DOCUMENT NO. <b>SD-180330-002</b>	SHEET NO. <b>2 OF 3</b>
	DRAFT WHERE APPLICABLE MUST REMAIN WITHIN DIMENSIONS		SEE CHART	THIS DRAWING CONTAINS INFORMATION THAT IS PROPRIETARY TO MOLEX INCORPORATED AND SHOULD NOT BE USED WITHOUT WRITTEN PERMISSION		

9 8 7 6 5 4 3 2 1

10	9	8	7	6	5	4	3	2	1
COB MFG.	TYPE	DIM. 'X'	DIM. 'Y'	DIM. 'Z'	DIM. 'D'				
SHARP	MEGA ZENIGATA	24.0	20.0	1.0	17.2				
LUMILEDS	LUXEON 1204	24.0	20.0	1.0	15.5				
LUMILEDS	LUXEON 1205	24.0	20.0	1.0	15.5				
LUMILEDS	LUXEON 1208	24.0	20.0	1.0	17.5				
EVERLIGHT	EAHP2024W**	24.0	20.0	1.0	17.5				



COB LED  
SCALE 1:1



M3 OR 4-40 TAPPED HOLES (2)  
TORQUE: CERAMIC 0.2 N-M MIN TO 0.4 N-M MAX  
ALUMINUM 0.4 N-M MIN TO 0.8 N-M MAX

RECOMMENDED MOUNTING DIMENSIONS (NTS)

<b>ENTER DESCRIPTION</b> EC NO: SSL2017-0012 DRWNL: ZAB.JANOVSKI 2016/08/16 CHKD: APPR: GMEYER 2016/09/21 <b>E2</b>	<b>QUALITY SYMBOLS</b> $\nabla = 0$ $\nabla = 0$ $\nabla = 0$	<b>GENERAL TOLERANCES (UNLESS SPECIFIED)</b> <table border="1"> <thead> <tr> <th></th> <th>mm</th> <th>INCH</th> </tr> </thead> <tbody> <tr> <td>4 PLACES</td> <td><math>\pm</math> ---</td> <td><math>\pm</math> ---</td> </tr> <tr> <td>3 PLACES</td> <td><math>\pm</math> ---</td> <td><math>\pm</math> ---</td> </tr> <tr> <td>2 PLACES</td> <td><math>\pm 0.13</math></td> <td><math>\pm</math> ---</td> </tr> <tr> <td>1 PLACE</td> <td><math>\pm 0.25</math></td> <td><math>\pm</math> ---</td> </tr> <tr> <td>0 PLACE</td> <td><math>\pm</math> ---</td> <td><math>\pm</math> ---</td> </tr> </tbody> </table>		mm	INCH	4 PLACES	$\pm$ ---	$\pm$ ---	3 PLACES	$\pm$ ---	$\pm$ ---	2 PLACES	$\pm 0.13$	$\pm$ ---	1 PLACE	$\pm 0.25$	$\pm$ ---	0 PLACE	$\pm$ ---	$\pm$ ---	<b>DIMENSION STYLE</b> <b>MM ONLY</b>	<b>SCALE</b> <b>1:1</b>	<b>DESIGN UNITS</b> <b>METRIC</b>	<b>THIRD ANGLE PROJECTION</b>
		mm	INCH																					
	4 PLACES	$\pm$ ---	$\pm$ ---																					
	3 PLACES	$\pm$ ---	$\pm$ ---																					
	2 PLACES	$\pm 0.13$	$\pm$ ---																					
1 PLACE	$\pm 0.25$	$\pm$ ---																						
0 PLACE	$\pm$ ---	$\pm$ ---																						
		<b>ANGULAR <math>\pm 1/2^\circ</math></b>	<b>DRAWN BY</b> MDEVITO	<b>DATE</b> 2012/02/03	<b>TITLE</b> COB LED HOLDER 24.0MM X 20.0MM RECTANGULAR COB																			
		<b>DRAFT WHERE APPLICABLE MUST REMAIN WITHIN DIMENSIONS</b>	<b>CHECKED BY</b> MCOLE	<b>DATE</b> 2014/03/05	<b>DOCUMENT NO.</b> SD-180330-002																			
			<b>APPROVED BY</b> DMCGOWAN	<b>DATE</b> 2012/02/07	<b>SHEET NO.</b> 3 OF 3																			
			<b>MATERIAL NO.</b> <b>SEE CHART</b>	<b>THIS DRAWING CONTAINS INFORMATION THAT IS PROPRIETARY TO MOLEX INCORPORATED AND SHOULD NOT BE USED WITHOUT WRITTEN PERMISSION</b>																				