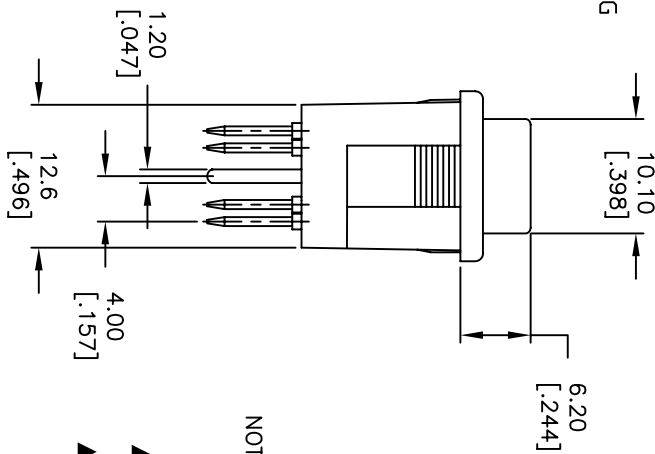
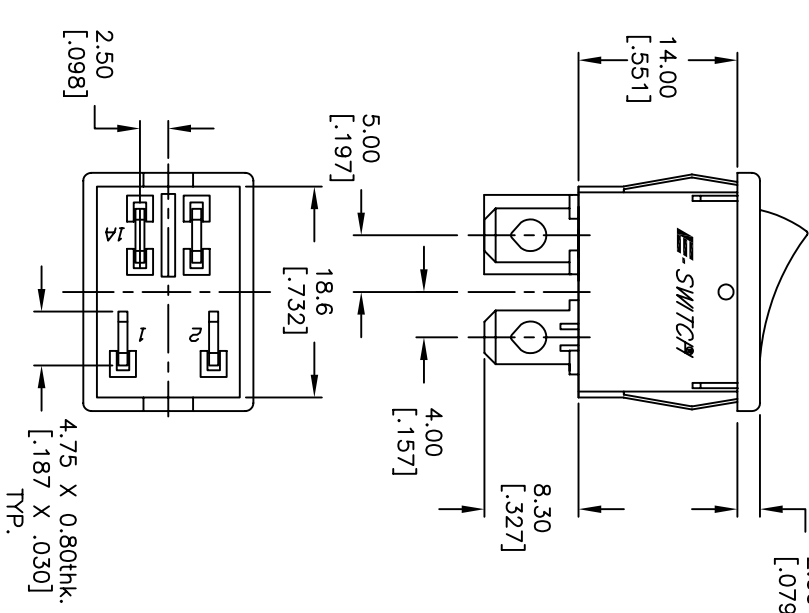


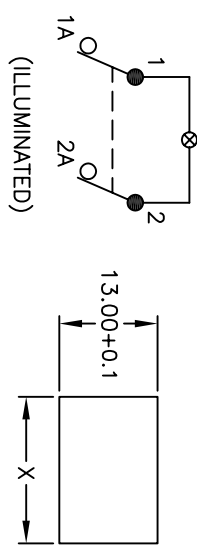
ILLUMINATED BLUE ROCKER
BLACK BODY/HOUSING

DN-OFF SYMBOL
MOLDED INTO HOUSING



| SWITCH FUNCTION | |
|-----------------|--------|
| POS. 1 | POS. 2 |
| DN | OFF |
| 1-1a | OPEN |
| 2-2a | |

| PANEL THICKNESS | X dimension |
|------------------------|------------------|
| 0.75-1.25 [0.30-0.491] | 19.2-0.1 [0.756] |
| 1.25-2.0 [0.49-0.791] | 19.4-0.1 [0.764] |
| 2.0-3.0 [0.79-1.181] | 19.8-0.1 [0.780] |



PANEL CUTOUT
NOT TO SCALE

NOTES:

1. ALL DIMENSIONS IN MM [INCH]
2. GENERAL TOLERANCE: X.X=±0.4
X.XX=±0.25
- ▲3. RATING: 6A @250VAC;9A @125VAC
4. LAMP VOLTAGE: 125V AC (INCANDESCENT BULB)
- ▲5. MATERIAL:
CONTACT SURFACE: Coin Silver, Silver Plate
TERMINAL: Copper Alloy W/ Silver Plate.
6. CONTACT RESISTANCE: 20MILLIOHMS TYP. INITIAL
7. INSULATION RESISTANCE: 1000Megohms
8. DIELECTRIC STRENGTH:
>1500V RMS min. @SEA LEVEL
>3000V RMS @SEA LEVEL
9. MECHANICAL LIFE: 30,000 CYCLES.
10. ELECTRICAL LIFE: 10,000 CYCLES.
11. ▲ DENOTES CRITICAL PARAMETER.
12. 2002/95/EC (ROHS) COMPLIANT

| | | | | | | | | | |
|--|--|----------------|--|-------------------------|--|--------|--|-------------------|--|
| REV. A | | 16829 | | RELEASED FOR PRODUCTION | | 1/8/07 | | TN | |
| REV. A | | ECN No. | | DESCRIPTION | | DATE | | CHKD | |
| THE INFORMATION CONTAINED IN THIS DOCUMENT IS PROPRIETARY TO E-SWITCH AND IS NOT TO BE COPIED OR TRANSFERRED | | | | | | | | | |
| TITLE | | R1973BBLKBLIF1 | | | | | | | |
| SCALE | | 2:1 | | DATE | | 1/8/07 | | DR TN DWG M400094 | |
| REV. A | | | | | | | | | |

