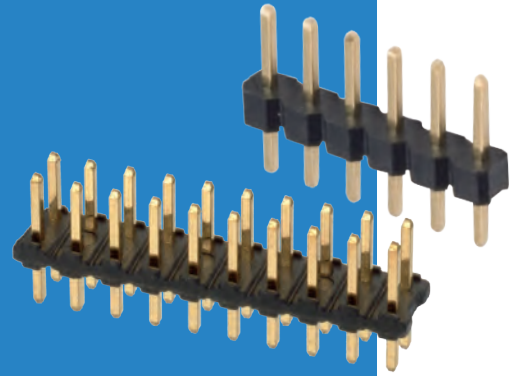


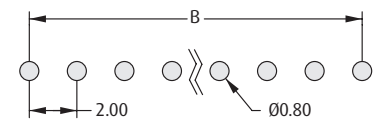
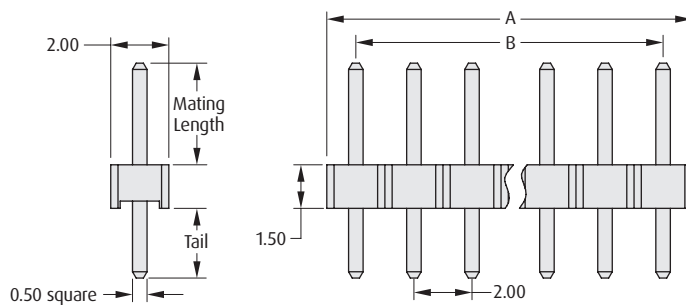
M22 Connectors

Male Vertical PC Tail

- ❖ Suitable for use with female PCB connectors and jumper sockets.
- ❖ 4.2mm mating pin length recommended for use with female cable connections.
- ❖ Pin headers can be cut into smaller sizes.
- ❖ Also available with variable dimensions.



SINGLE ROW

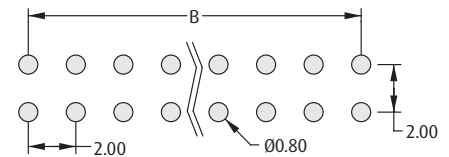
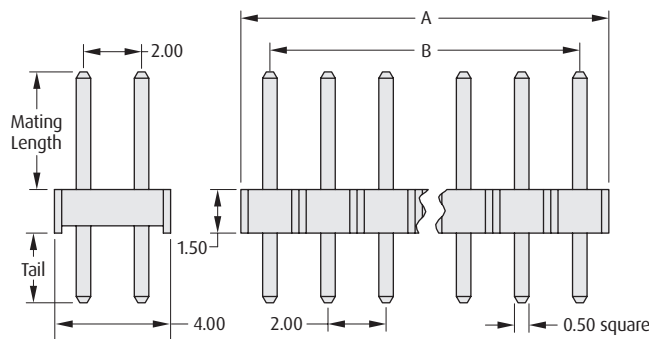


Recommended PC Board Pattern

CALCULATION

- A** 2 x No. of contacts per row
- B** 2 x (No. of contacts per row - 1)

DOUBLE ROW



Recommended PC Board Pattern

HOW TO ORDER

M22 - 2XX XX XX

SERIES CODE

FINISH

05	Gold
46	Tin

TYPE

SINGLE ROW	DOUBLE ROW	MATING LENGTH	TAIL
201	202	3.50mm	3.40mm
251	252	3.50mm	2.30mm
271	272	4.20mm	2.30mm

NO. OF CONTACTS PER ROW

02 to 25, 50	M22-201, M22-202
02 to 20, 25, 40, 50	M22-251
02 to 20, 25, 40	M22-252
02 to 20	M22-271, M22-272

All dimensions in mm.