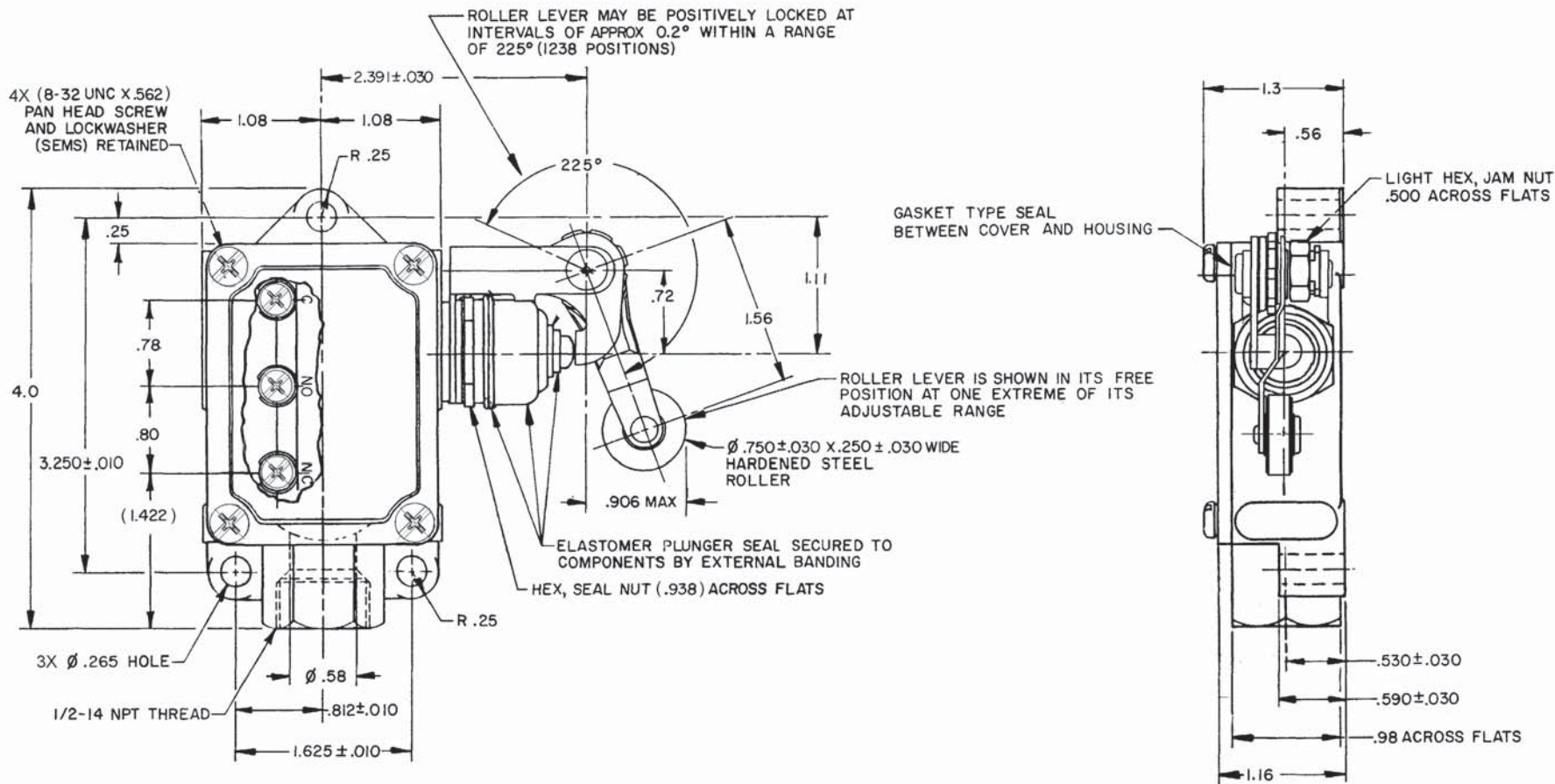


**MICRO SWITCH**  
 a Honeywell Division  
 FED. MFG. CODE 91929

**SWITCH - ENCLOSED**

CATALOG LISTING  
**BZF1-2RN2-LH**  
 (LEFT HAND)



REVISIONS	CHECK	DATE
A	CO-23287M	01 APR 10
B	COB15130	01 APR 10
C	0063051	01 APR 10
DRAWN	CHECK	DATE
G.J.W.	J.J.A.	16 MAY 95
DRAWN	CHECK	DATE
G.J.W.	CMH	25 MAY 95

THIS DRAWING COVERS A PROPRIETARY ITEM AND IS THE PROPERTY OF MICRO SWITCH, A DIVISION OF HONEYWELL. THIS DRAWING IS NOT TO BE COPIED OR USED WITHOUT THE APPROVAL OF MICRO SWITCH		THIRD ANGLE PROJECTION
CHARACTERISTICS	ELECTRICAL DATA	SCALE FULL
OPERATING FORCE ----- 2 LB MAX	CONTACT ARRANGEMENT S P D T	DO NOT SCALE PRINT
RELEASE FORCE ----- 1/4 LB MIN	-L96- 15 A-125, 250, OR 480 VAC 1/2 A-125 VDC; 1/4 A-250 VDC 1/8 HP-125 VAC; 1/4 HP-250 VAC	UNLESS OTHERWISE SPECIFIED TOLERANCES ARE
PRETRAVEL ----- .219 MAX		ONE PLACE ( .0 ) ± .030
DIFFERENTIAL TRAVEL ----- .008 MAX		TWO PLACE ( .00 ) ± .015
OVERTRAVEL ----- .219 MIN		THREE PLACE ( .000 ) ± .005
BASIC SWITCH REPLACEMENT BZ-2R70B-P7		ANGLES ±
		WEIGHT .670 LB

- NOTES
- 1 - ROLLER LEVER BRACKET ASSEMBLY MAY BE SET IN ANY POSITION AROUND AXIS OF PLUNGER
  - 2 - 8-32 UNC X (.219) BINDER HEAD, COMBINATION, TERMINAL SCREWS AND CUPWASHERS