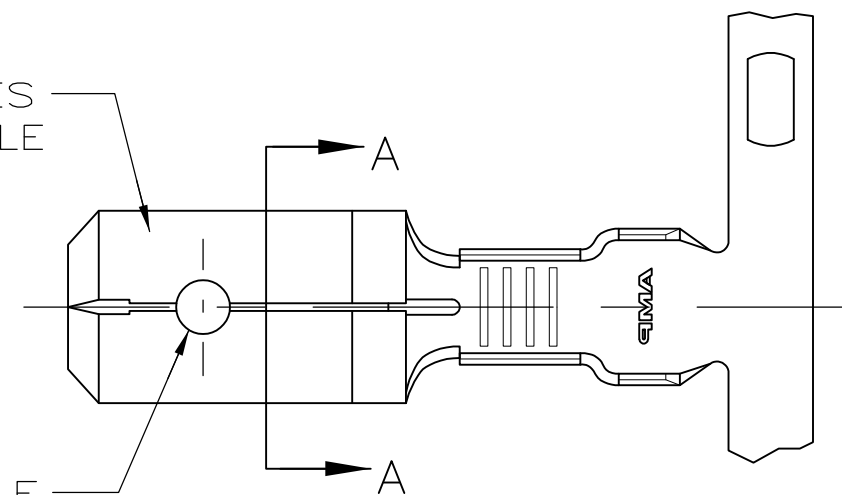


THIS DRAWING IS UNPUBLISHED. RELEASED FOR PUBLICATION
 © COPYRIGHT BY TYCO ELECTRONICS CORPORATION. ALL INTERNATIONAL RIGHTS RESERVED.

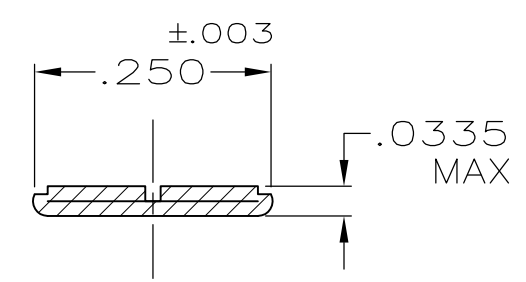
LOC	DIST	REVISIONS			
P	LTR	DESCRIPTION	DATE	DWN	APVD
AF	50	H	REVISED PER ECR-10-004058	08JUN10	HMR PD

FITS .250 SERIES FASTON RECEPTACLE

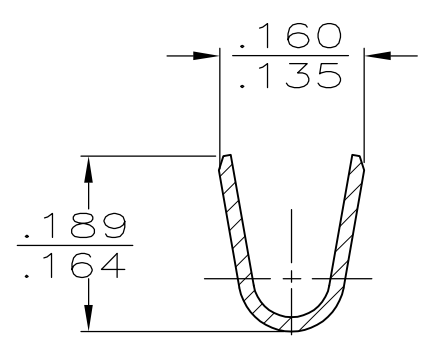


$\frac{.075}{.060}$ DIA HOLE

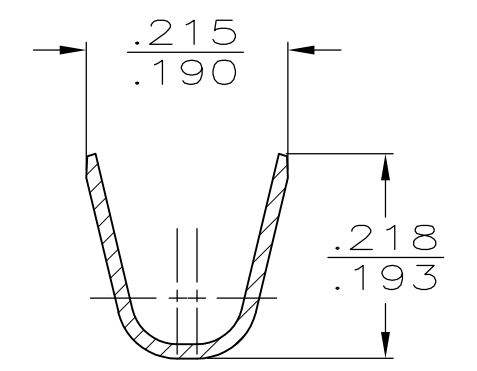
1. CONTINUOUS STRIP ON REELS.



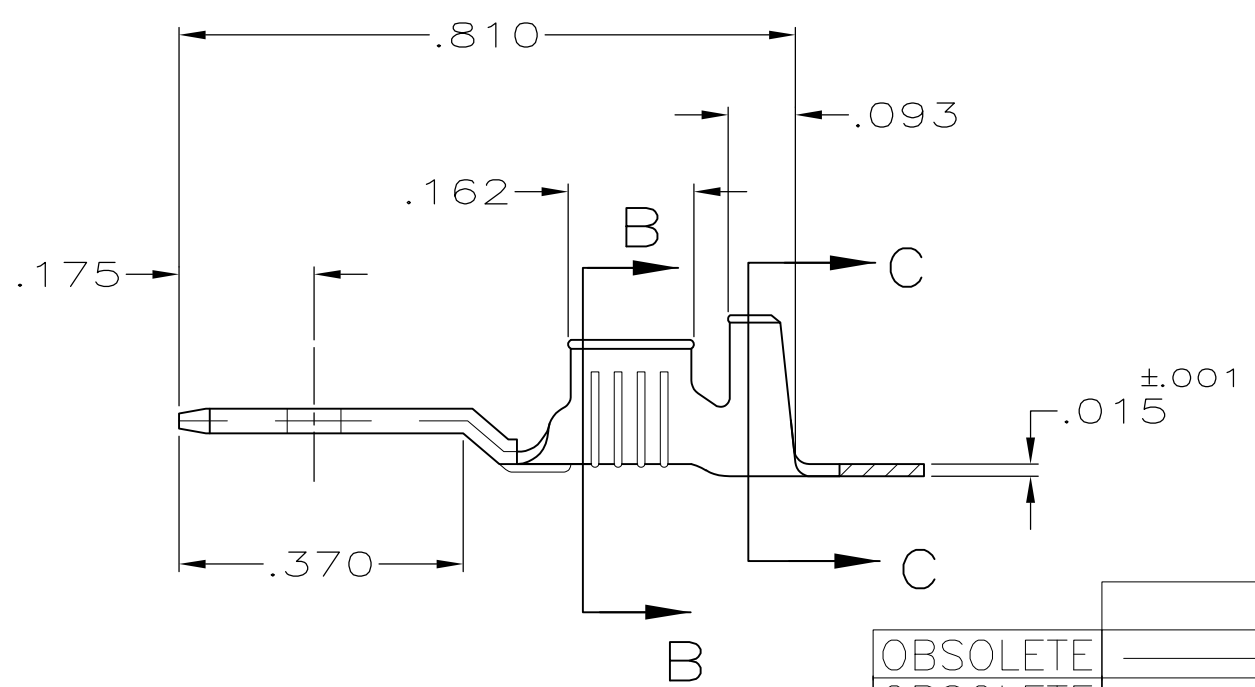
SECTION A-A
SCALE 5:1



SECTION B-B
SCALE 5:1



SECTION C-C
SCALE 5:1



FINISH	INSULATION RANGE	WIRE SIZE	PART NO
TIN			61281-3
OBSOLETE		.110-.170 DIA	61281-2
OBSOLETE		14-12 AWG	61281-1

THIS DRAWING IS A CONTROLLED DOCUMENT.		DWN JR RUTH 1/31/91	Tyco Electronics Corporation Harrisburg, PA 17105-3608	
DIMENSIONS: INCHES		CHK MS FEHER 1/31/91	NAME TAB, FASTON,™ .250 SERIES	
TOLERANCES UNLESS OTHERWISE SPECIFIED:		APVD C MEYERS 1/31/91/31/91	PRODUCT SPEC	
0 PLC ± -		APPLICATION SPEC		
1 PLC ± -		SIZE		
2 PLC ± -		CAGE CODE		
3 PLC ± .005		DRAWING NO		
4 PLC ± -		RESTRICTED TO		
ANGLES ± -		A300779 C-61281		
MATERIAL #2H BRASS .015 THK REF	FINISH SEE TABLE	WEIGHT		
CUSTOMER DRAWING		SCALE 4:1 SHEET 1 OF 1 REV H		