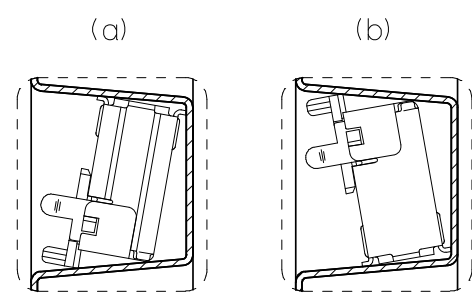


△ 4 DETAIL A
(SCALE 2:1)



△ 4 DETAIL B
(SCALE 2:1)

注記

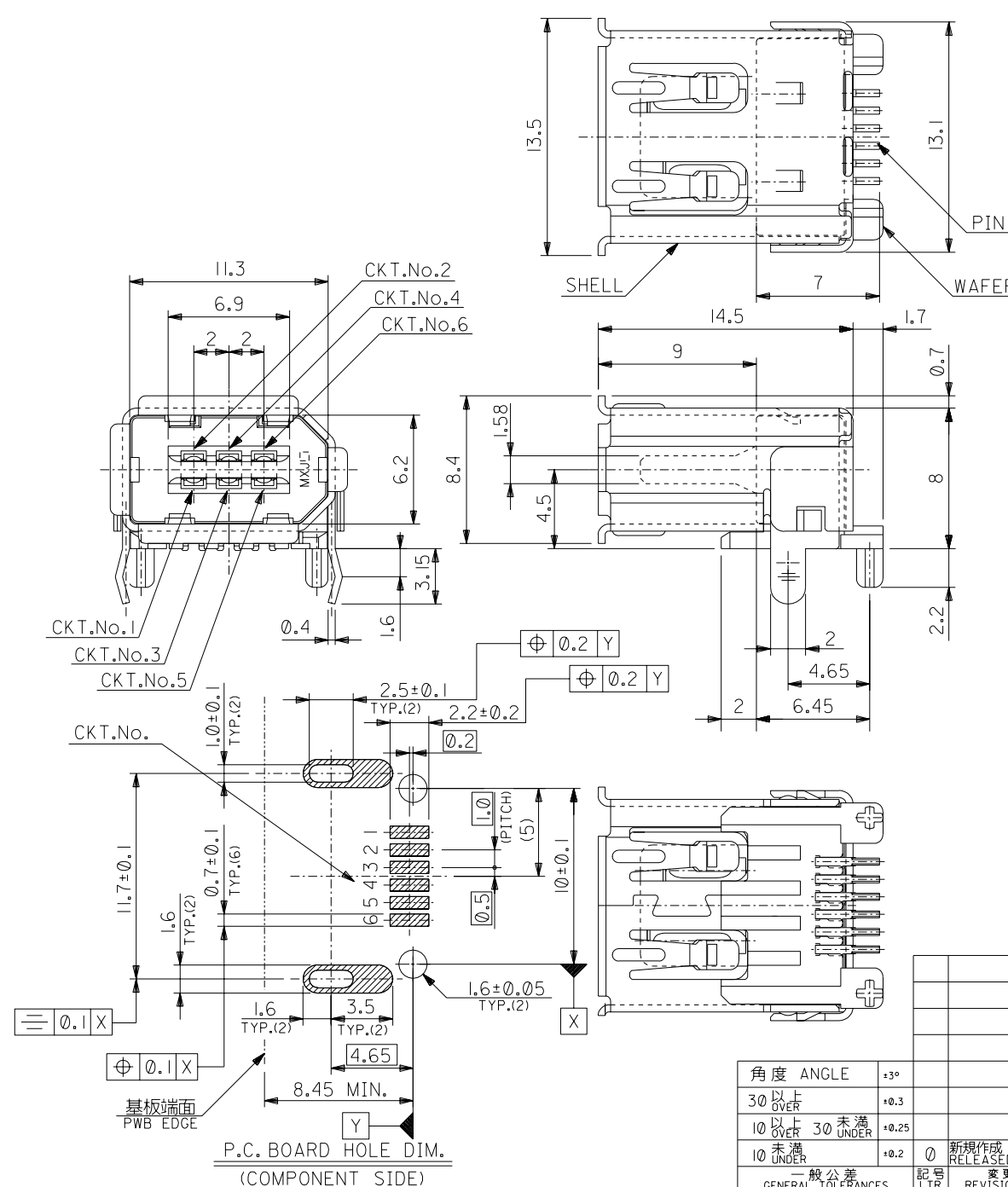
1. 一般公差: ±0.5
GENERAL TOLERANCES: ±0.5
 2. 各部の反りは2.0MAX.
WARP 2.0MAX.
 3. 梱包数: 150個
PACKAGING QUANTITY: 150PCS.
- △ 4 トレイの中の製品の向きは(a)又は(b)とし、かつ同一トレイ中の製品の向きはどちらか一方で統一
PRODUCT DIRECTION SHOULD BE (a) OR (b).
ALL PRODUCTS MUST FACED THE SAME DIRECTION IN THE TRAY.

53462-0629
適用製品番号
APPLICABLE PART No.

RELEASED EC NO: J2008-3804 DRWN: YOKUZONO 2008/05/01 CH'KD: HARUYAMA 2008/05/01 APPR: NUKITA 2008/05/01	GENERAL TOLERANCES (UNLESS SPECIFIED)		DIMENSION STYLE MM ONLY		SCALE 1:2	DESIGN UNITS METRIC	THIRD ANGLE PROJECTION
	10 UNDER	± ---	DRAWN BY Y. TOKUZONO		DATE 2008/4/28		TRAY FOR 53462 (2.0 I/O FLAT SMT WAFER ASS'Y) MOLEX INCORPORATED
	10 OVER	± ---	CHECKED BY T. HARUYAMA		DATE 2008/4/28		
	30 OVER	± ---	APPROVED BY N. UKITA		DATE 2008/4/28		
ANGULAR	± --- °	MATERIAL NO. 098910030		DOCUMENT NO. SD-53462-001			
0	DRAFT WHERE APPLICABLE MUST REMAIN WITHIN DIMENSIONS		SIZE A3	THIS DRAWING CONTAINS INFORMATION THAT IS PROPRIETARY TO MOLEX INCORPORATED AND SHOULD NOT BE USED WITHOUT WRITTEN PERMISSION			

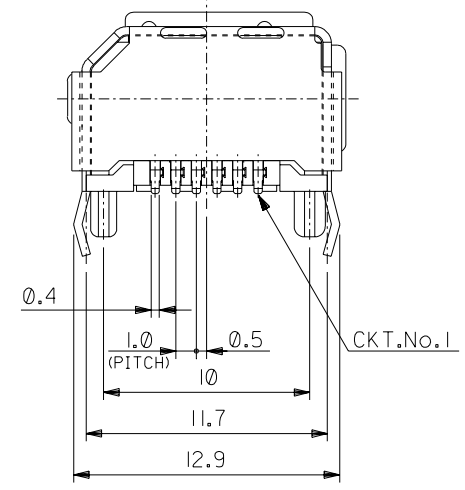
DWG. NO.
SD-53462-010

ALL DIMENSIONS IN METRIC DO NOT SCALE DRAWING



部品名 PARTS NAME	材質 MATERIAL	注記 NOTES
ウエハー WAFFER	ガラス入り46ナイロン NYLON46 G.F.	G.F.30%, UL94V-0, 色:黒 G.F.30%, UL94V-0, COLOR:BLACK
ピン PIN	黄銅 t0.25 BRASS t0.25	接点部:金メッキ0.76µmMIN. CONTACT AREA:GOLD 0.76 MICROMETER MIN. 半田付け部:錫メッキ1.0µmMIN. SOLDERTAIL AREA:TIN 1.0 MICROMETER MIN. 下地メッキ:ニッケルメッキ2.0µmMIN. UNDER-PLATING:NICKEL 2.0 MICROMETER MIN.
シェル SHELL	りん青銅 t0.4 PHOSPHOR BRONZE t0.4	錫メッキ:1.0µmMIN. TIN:1.0 MICROMETER MIN. 下地メッキ:ニッケルメッキ1.27µmMIN. UNDER-PLATING:NICKEL 1.27 MICROMETER MIN.

本製品は53462-* * 21の鉛フリー品である。
THIS PRODUCT IS LEAD FREE OF 53462-* * 21.



角度 ANGLE	公差 TOLERANCE
30°以上 OVER	+3°
10°以上 30°未満 OVER	+0.3
10°未満 UNDER	+0.25
30°未満 UNDER	+0.2

記号 LTR	変更内容 REVISION RECORD	DR. CHK.	日付 DATE
0	新規作成 RELEASED (J2004-4313)	Y.W. M.S.	'04/05/19

材料 MATERIAL	表参照 SEE TABLE
仕上げ FINISH	表参照 SEE TABLE
適用電線範囲 WIRE RANGE	—
被覆外径 INS. RANGE	—
DRAWN BY '04/05/19	CHK'D BY '04/05/19
Y.WADA	M.SASAO
APP'D BY '04/05/19	尺度 SCALE 4:1
M.SASAO	

53462-0629	6
MATERIAL NO.	CIRCUIT
MODEL NO.	53462-* * 29
MOLEX-JAPAN CO.,LTD. 日本モレックス株式会社	
REVISE ONLY ON CAD SYSTEM	
TITLE 名称	
2.0 I/O CONN. SOCKET RIGHT-ANGLE FLAT WITH KINK -LEAD FREE-	
DWG. NO.	REV
SD-53462-010	0