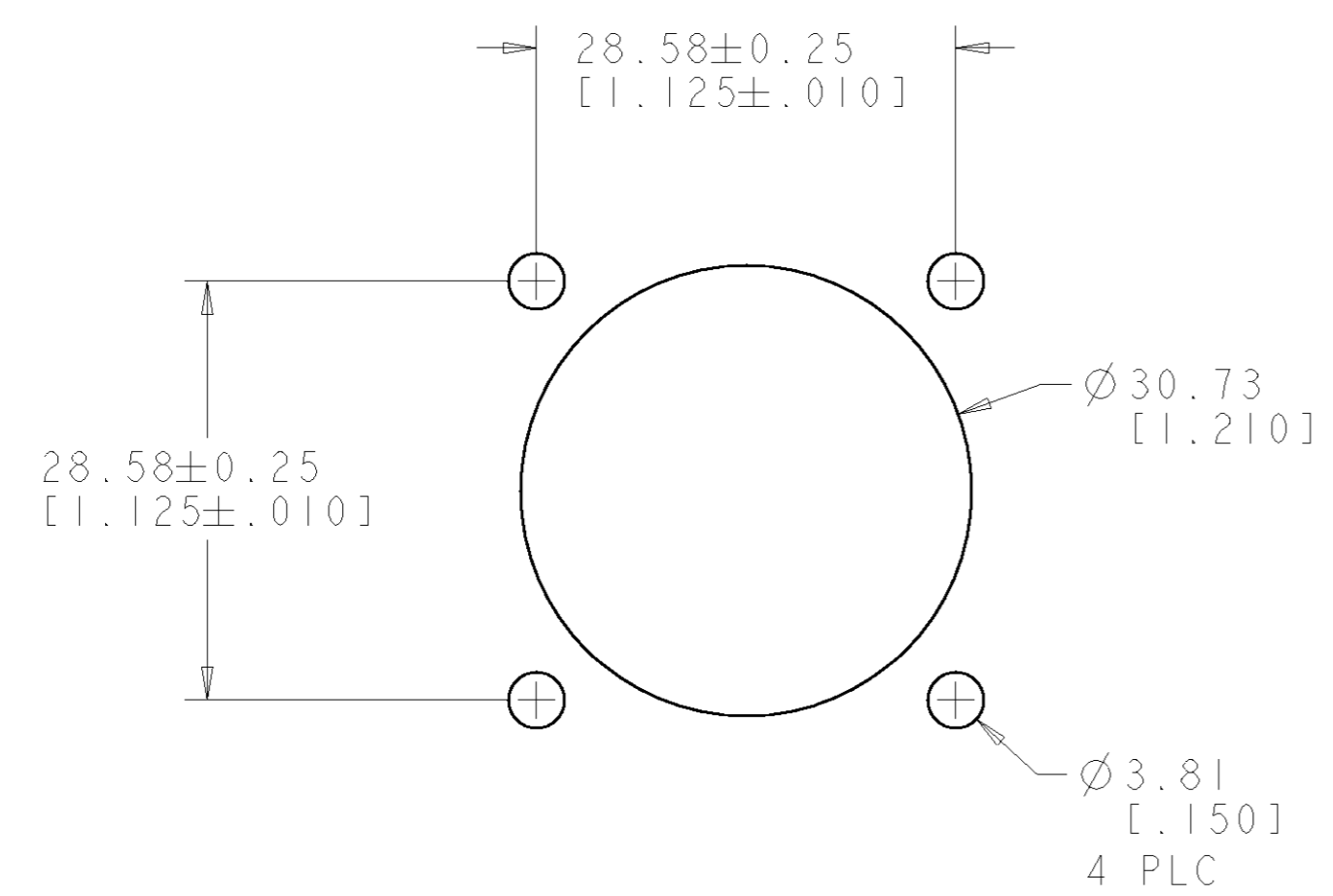
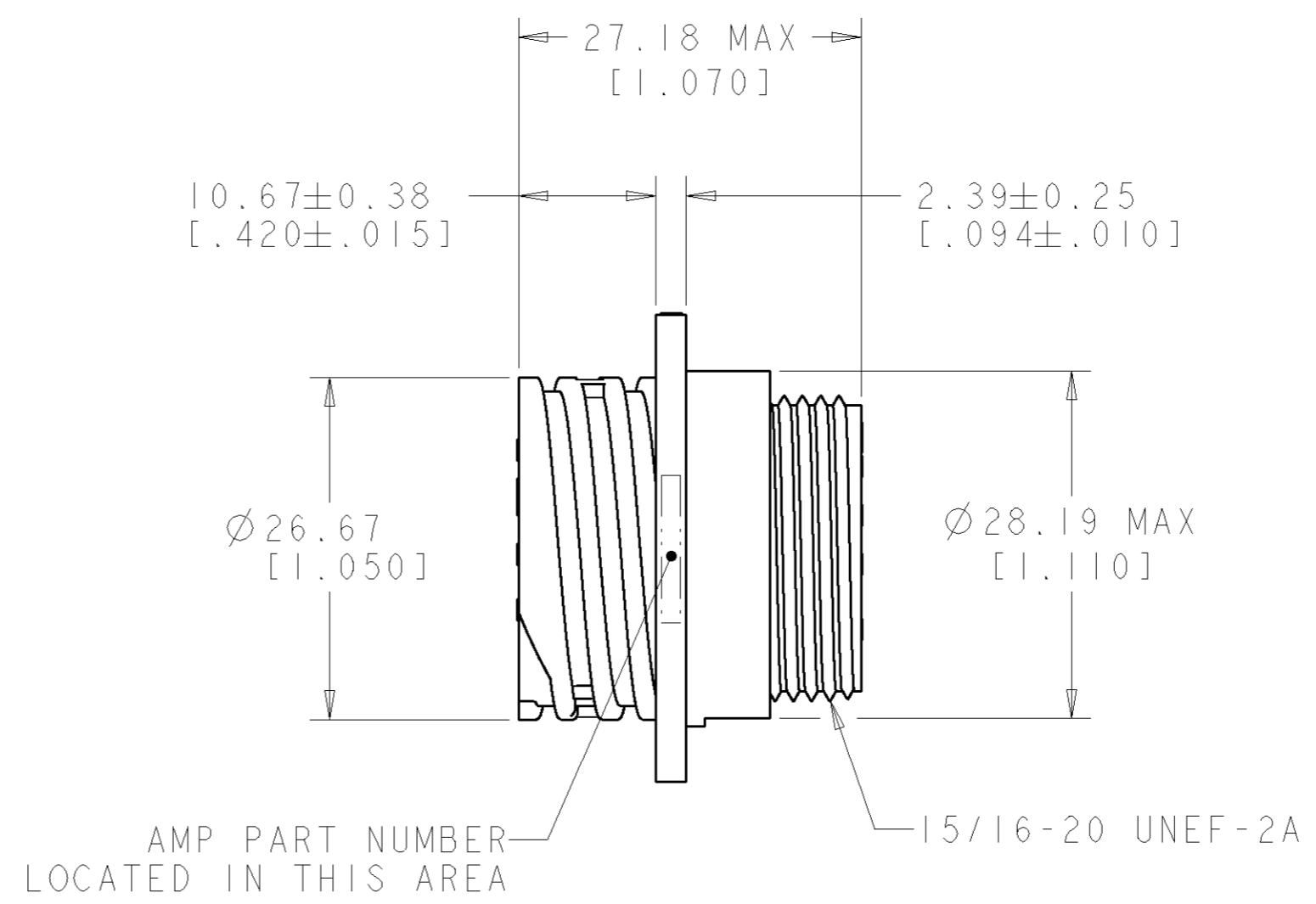
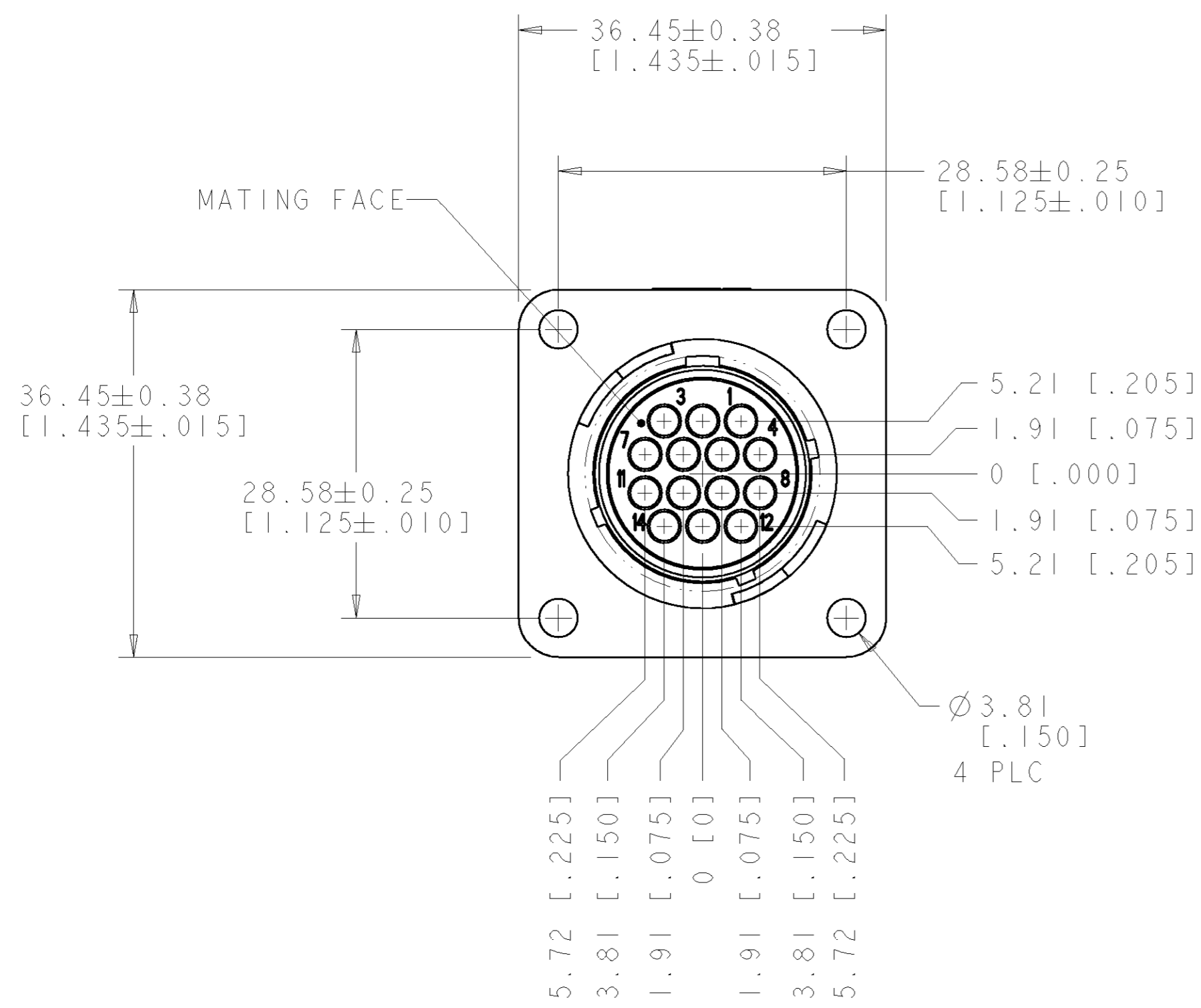


THIS DRAWING IS UNPUBLISHED. RELEASED FOR PUBLICATION
 BY AMP INCORPORATED. ALL RIGHTS RESERVED.

LOC	DIST	REVISIONS					
FT	0	P	LTR	DESCRIPTION	DATE	DWN	APVD
		O		RELEASED	31MAR100	SW	-
		A		REVISED EC 0G3B-0097-00	20APR00	SW	MC
		B		REVISED EC 0G3B-0280-00	01JUN2000	SW	MC



- 1. NYLON, BLACK.
- 2. HOUSING WILL ACCEPT 14 MULTIMATE SOCKET CONTACTS.
- 3. CAVITY IDENTIFICATION ON FRONT AND REAR FACE.

RECOMMENDED PANEL CUTOUT
 3.18[.125] MAX PANEL THICKNESS

796437-2
 PART NUMBER

<small>THIS DRAWING IS A CONTROLLED DOCUMENT FOR AMP INCORPORATED. IT IS SUBJECT TO CHANGE AND THE CONTROLLING ENGINEERING ORGANIZATION SHOULD BE CONTACTED FOR THE LATEST REVISION.</small>		DWN S.WELDON 31MART00 CHK M.CHACKO 31MART00 APVD M.CHACKO 31MART00	AMP AMP Incorporated Harrisburg, PA 17105-3608
DIMENSIONS: mm [INCHES]	TOLERANCES UNLESS OTHERWISE SPECIFIED: 0 PLC ± 1 PLC ±0.1 2 PLC ±0.02 3 PLC ±0.005 4 PLC ±0.0005 ANGLES ±	PRODUCT SPEC - APPLICATION SPEC - WEIGHT -	NAME RECEPTACLE HOUSING, SIZE 17-14, REVERSE SEX, CPC SIZE A2 CAGE CODE 00779 DRAWING NO. 796437 RESTRICTED TO -
MATERIAL - FINISH -	CUSTOMER DRAWING	SCALE 2:1 SHEET 1 OF 1 REV B	