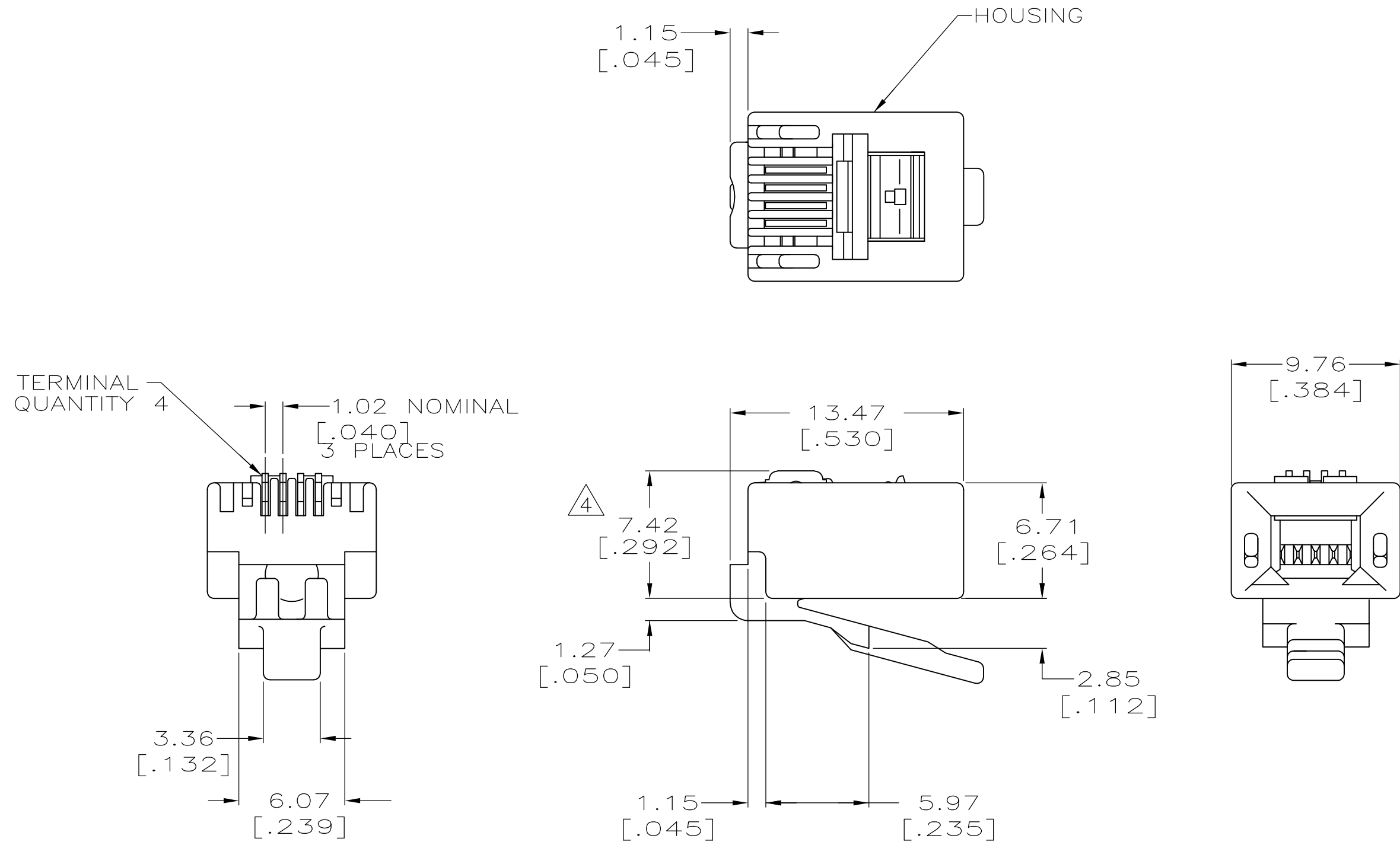


THIS DRAWING IS UNPUBLISHED. RELEASED FOR PUBLICATION
 © COPYRIGHT - By - ALL RIGHTS RESERVED.

LOC	DIST	REVISIONS					
HM	00	P	LTR	DESCRIPTION	DATE	DWN	APVD
		C		REV PER ECO-12-012918	05JUL2012	JM	JG

- 1. DIMENSIONS ARE MAXIMUM UNLESS OTHERWISE SPECIFIED.
- 2. MATERIAL: HOUSING-POLYCARBONATE,CLEAR. TERMINAL-0.36[.014] THICK PHOSPHOR BRONZE PLATED WITH 1.27 μ m[.000050] MINIMUM THICK GOLD IN LOCALIZED GOLD PLATE AREA, OVER 2.54 μ m[.000100] MINIMUM THICK NICKEL UNDERPLATE.
- 3. PLUG WILL ACCEPT 26 OR 28 AWG STRANDED WIRE HAVING A MAXIMUM INSULATION DIAMETER OF 0.99[.039] AND A MAXIMUM DIAMETER ROUND CABLE JACKET OF 2.79 [.110].
- 4. TERMINATED DIMENSION 6.15[.242] MAXIMUM.
- 5. 1000 ASSEMBLIES PER PACKAGE.
- 6. 100 ASSEMBLIES PER PACKAGE



6	5-569031-3
5	5-569031-2
PACKAGED	PART NO.

THIS DRAWING IS A CONTROLLED DOCUMENT.		DWN	D. STRAUSSER	1-11-95	TE TE Connectivity
DIMENSIONS: MM [INCHES]		CHK	D. HUSSEY	1-13-95	
TOLERANCES UNLESS OTHERWISE SPECIFIED:		APVD	-	-	MODULAR PLUG ASSEMBLY, 4 POSITION, ROUND CABLE, STRANDED WIRE
0 PLC ± - 1		PRODUCT SPEC	108-1163	NAME	
1 PLC ± - 2		APPLICATION SPEC	114-6016	SIZE	CAGE CODE
2 PLC ± - 3		WEIGHT	-	A2	00779
3 PLC ± - 4		CUSTOMER DRAWING		DRAWING NO	C=569031
4 PLC ± - ANGLES ± - FINISH		SCALE	4:1	SHEET	1 of 1
MATERIAL - 2		REV	C		