

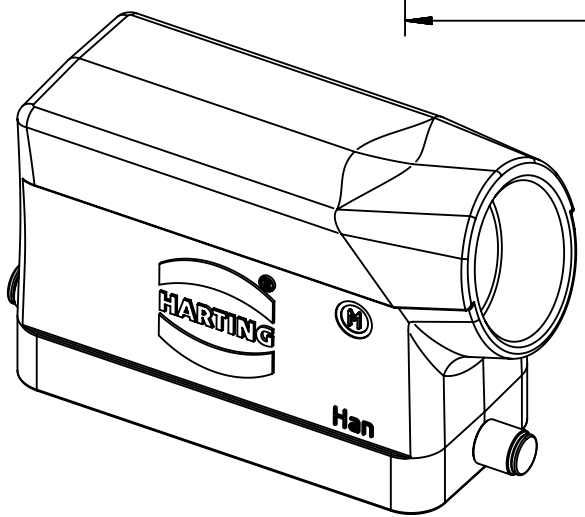
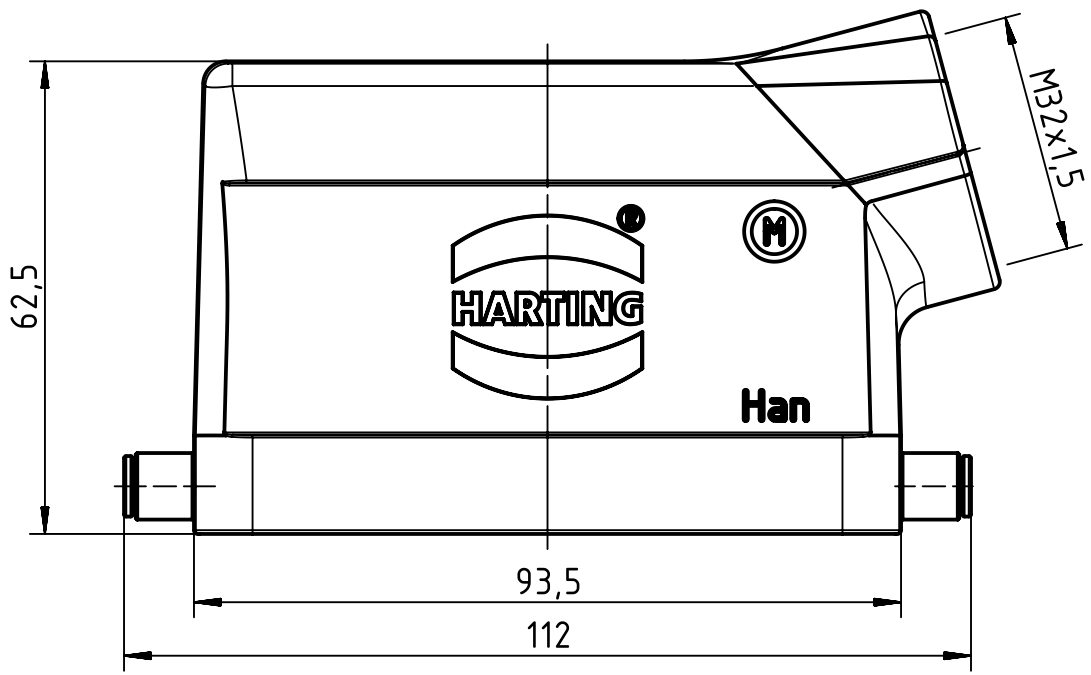
1 2 3 4 5 6

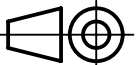

A

B

C

D



| | | | | | | | |
|--|--|----------------------------|---------------------------|---------------------------|--|--------------------|------------------------|
|  All Dimensions in mm Original Size DIN A4 | Scale 1:1 | | Free size tol. | | Ref. | | |
| |  All rights reserved Department EL PD - DE | | Created by RULLKOETTER | Inspected by SCHNIEDER | Standardisation TIEMANNA | Date 2014-11-12 | State Final Release |
| HARTING Electric GmbH & Co. KG D-32339 Espelkamp | | Title Han 16B-HMC-gs-R-M32 | | | Doc-Key / ECM-Nr. 100528821/UGD/002/B 500000081192 | | |
| | | Type TB | Number 19 30 216 1542 | | | Rev. B | Page 1/1 |