



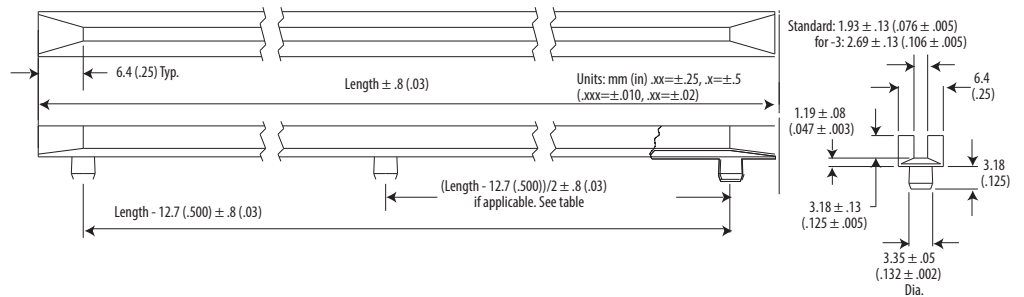
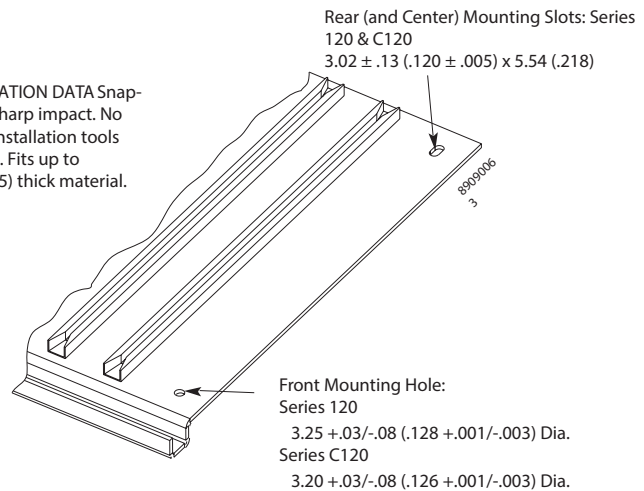
MATERIALS

Nylon 6/6 or 6. Meets UL94V-2 self-extinguishing to flame or UL94V-0 (see part number configuration). May be used at 121°C (250°F) continuously. Resistant to alkalis, weak acids and common solvents.
 "C" Option 10% Graphite Filled Polycarbonate. Meets UL94V-2.

Notes

Standard color is natural (white) for non conductive, and black for conductive "C" option. Other colors including black, brown, red, orange, yellow, green, blue, violet and grey available as custom parts.

INSTALLATION DATA Snap-in with sharp impact. No special installation tools required. Fits up to 1.91 (.075) thick material.



Part Number Code Series 120 Card Guide	C 120 - 400 X - 3
Material Conductive _____ C Non Conductive _____ [blank]	
Length 4.00" _____ 400 or choose from Length Table _____ xxx	
Mounting Options For lengths 7" or greater No mid-mounting hole _____ X Mid mounting hole included _____ [blank]	
Board Thickness 2.4 (.094) _____ 3 1.6 (.063) _____ [blank]	

Part Number Code Example:

C120-850X-3
 Series 120 card guide, conductive, 216.9 (8.54) length, no center mounting, for PCB thickness of 2.4 (.094)

LENGTH TABLE

Code	Length for Non Conductive	Length for Conductive ("C" Option)
400	101.6 (4.00)	102.1 (4.02)
600	152.4 (6.00)	153.2 (6.03)
700	177.8 (7.00)	178.8 (7.04)
850	215.9 (8.50)	216.9 (8.54)
950	215.9 (9.50)	242.6 (9.55)