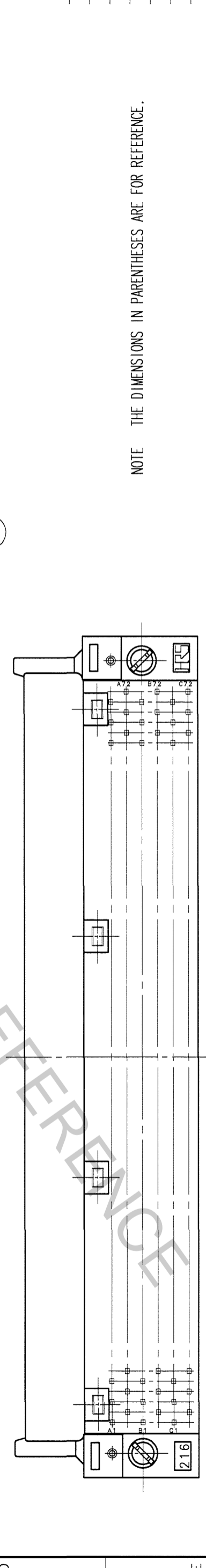
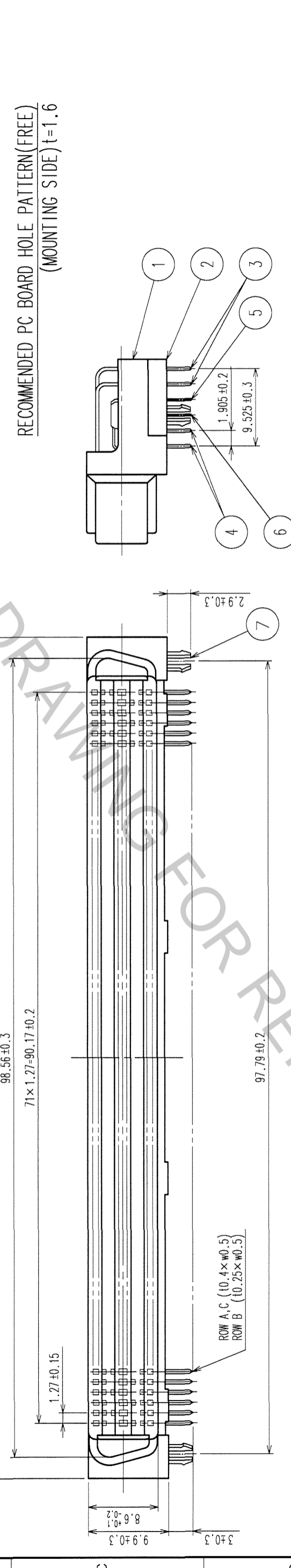
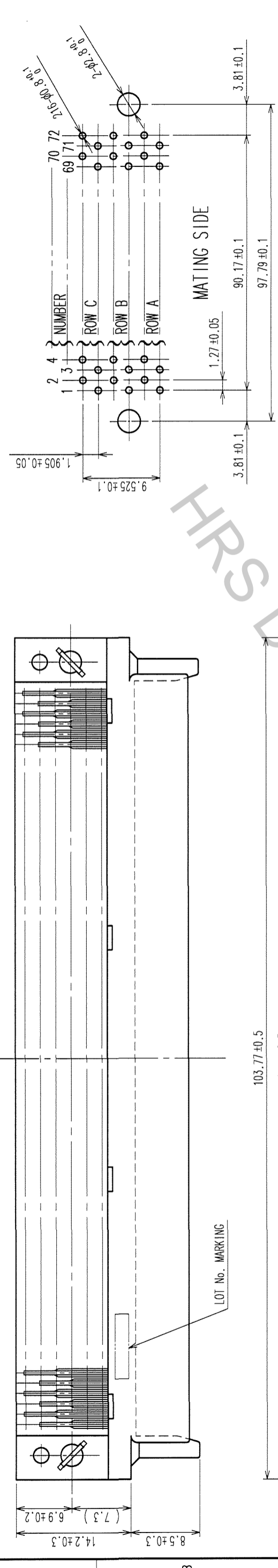


COUNT	DESCRIPTION OF REVISIONS	BY	CHKD	DATE	COUNT	DESCRIPTION OF REVISIONS	BY	CHKD	DATE



NOTE THE DIMENSIONS IN PARENTHESES ARE FOR REFERENCE.

7	PHOSPHOR BRONZE	TIN-PLATING	3~6	PHOSPHOR BRONZE	CONTACT AREA: GOLD 0.2μm min.
2	PBT	BLACK UL94V-0			DIP AREA: TIN-PLATING 2μm min.
1	PPS	BLACK UL94V-0			UNDER PLATING: NICKEL 2.5μm min.

NO.	MATERIAL	FINISH, REMARKS	NO.	MATERIAL	FINISH, REMARKS

CL	CODE NO. (OLD)		DESIGNED	CHECKED	APPROVED	RELEASED
			K. NAKAMURA	K. Nakamura	H. Okawa	
			06.02.02	06.02.02	06.02.02	

DRAWING NO.	PART NO.	
EDC3-082024-21	FX1-216S-1.27DSL(71)	
SCALE	CODE NO.	
2 : 1	CL571-0055-0-71	
UNITS	mm	

TO	
PCK	

HRS DRAWING FOR REFERENCE