

A

B

C

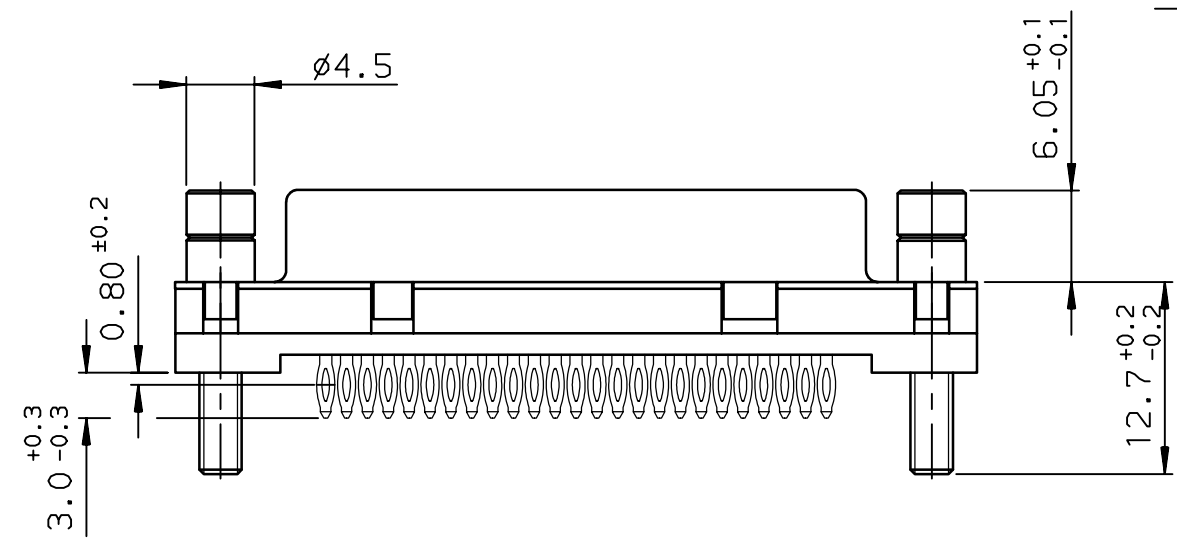
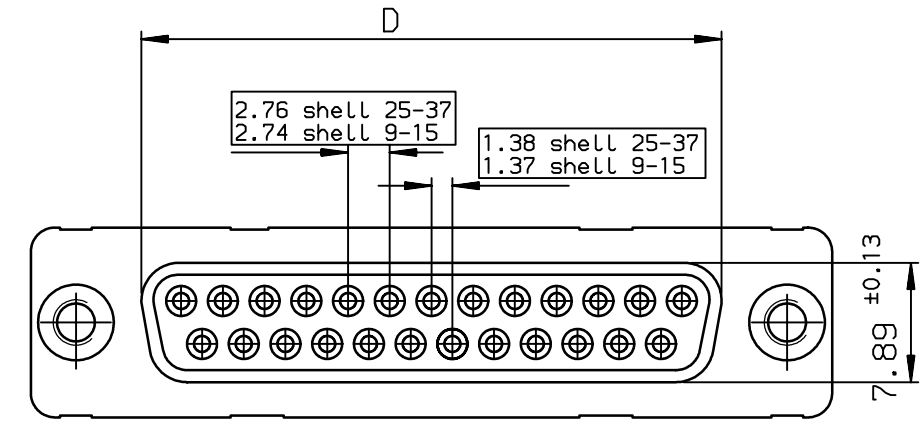
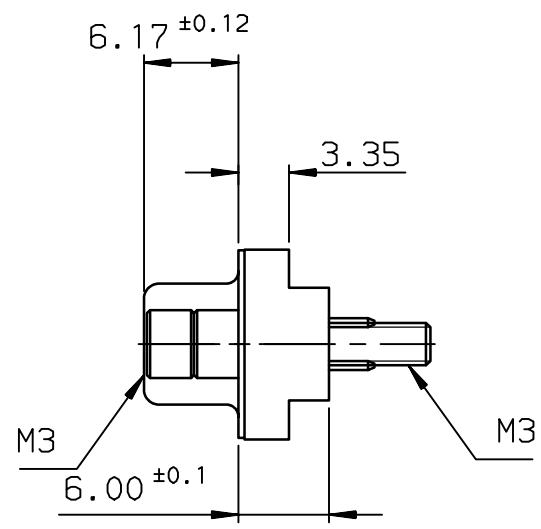
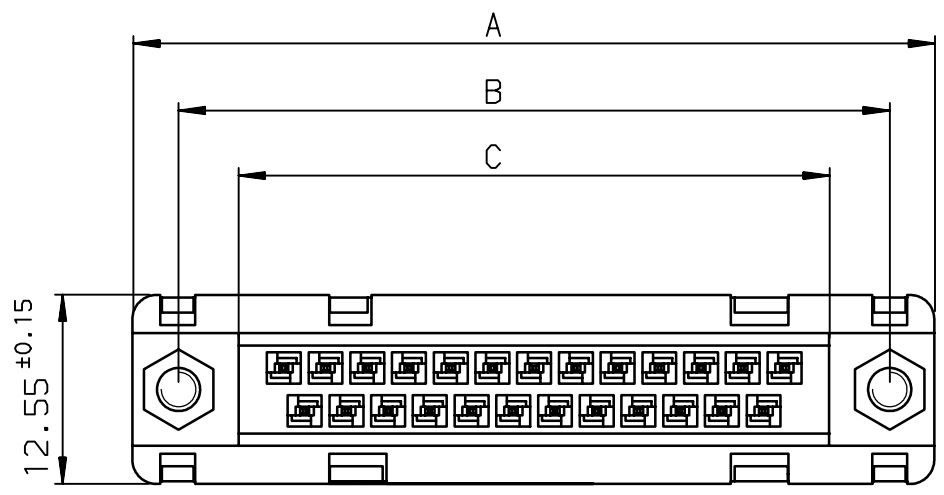
D

A

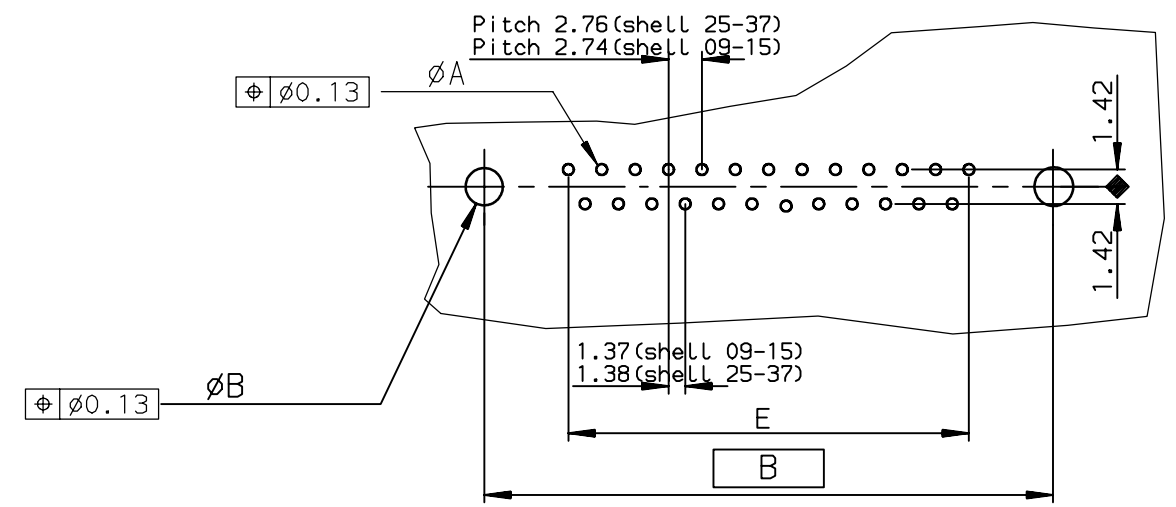
B

C

D



PC board drilling dimensions (after plating)
(thickness < 3.20 ± 0.30mm)



TIN LEAD PART NUMBER

SHELL	A±0.38	B±0.12	C±0.10	D±0.25	E±0.07	PART NUMBER	PART NUMBER
09	30.81	24.99	16.96	16.21	10.96	--	D09S91C6PI9C
15	39.14	33.32	25.18	24.54	19.18	--	D15S91C6PI9C
25	53.03	47.04	39.12	38.25	33.12	--	D25S91C6PI9C
37	69.32	63.50	55.68	54.71	49.68	--	D37S91C6PI9C
						---	0.76µ gold

LEAD FREE PART NUMBER

SHELL	A±0.38	B±0.12	C±0.10	D±0.25	E±0.07	PART NUMBER	PART NUMBER
09	30.81	24.99	16.96	16.21	10.96	--	D09S91C6PI9CLF
15	39.14	33.32	25.18	24.54	19.18	--	D15S91C6PI9CLF
25	53.03	47.04	39.12	38.25	33.12	--	D25S91C6PI9CLF
37	69.32	63.50	55.68	54.71	49.68	--	D37S91C6PI9CLF
						---	0.76µ gold

GENERAL CHARACTERISTICS AND ROHS INFORMATIONS:
SEE DRAWING C01-8646-0001

European Views

www.fciconnect.com		surface ISO 1302 ✓	tolerance std ISO 406 ISO 1101	projection mm
TOLERANCES UNLESS OTHERWISE SPECIFIED				
Dr	JOUBERT	1998/04/24	ANGULAR	0.X ±0.1
Eng	PESSON	1998/04/24	LINEAR	0.XX ±0.1
Chr	LEGARE	1998/04/24	0.XX' ±2°	0.XXX ±0.1
Appr	LEGARE	1998/04/24	Product family	D-SUB
size				A3
Scale				2:1
ECN				LS06-0140
Spec ref				-
Title		FEMALE CONNECTOR DELTA D		Rev.
catalog no		-		E
dwg no		C01-8646-0617		
CUSTOMER		sheet 1 of 1		

rev	ecn no	dr	date
B	-	ATC	1999/03/05
C	LS05-004	MPE	2005/02/11
D	LS06-0089	LGO	2006/06/15
E	LS06-0140	LGO	2006/09/16
-	-	-	-
-	-	-	-
-	-	-	-

