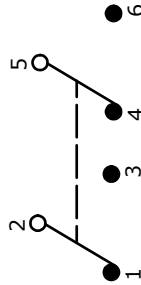
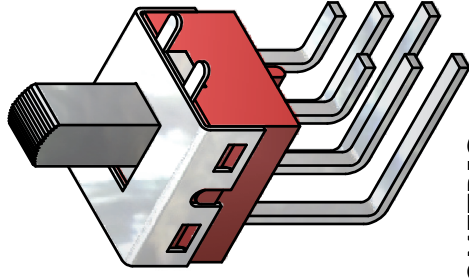


SWITCH FUNCTION	POS. 1	POS. 2	POS. 3
ON			
NONE			
2-1, 5-4			N/A

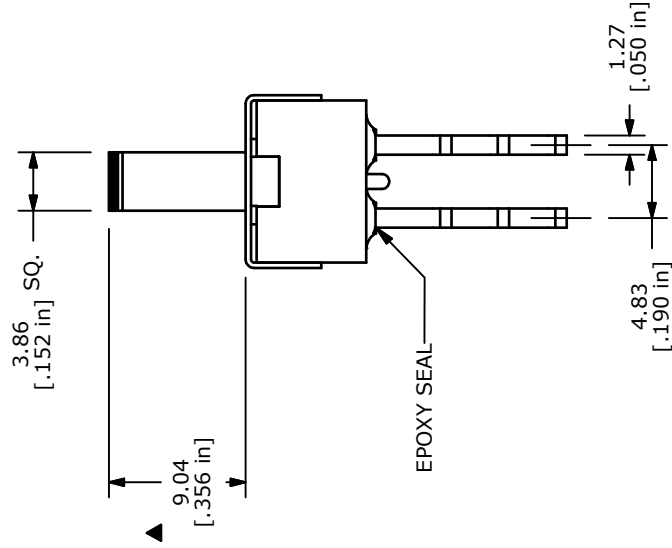
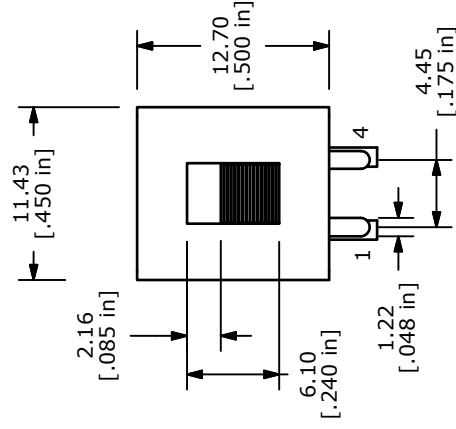


CIRCUIT: DPDT

- NOTE:
- ALL DIMENSIONS IN MM [INCH]
 - GENERAL TOLERANCE: X.X=±0.4
X.XX=±0.25
 - TERMINAL NUMBERS FOR REF ONLY
 - PLATING MATERIAL: SILVER
 - CONTACT RATING: 5A @120VAC OR 28VDC, 2A @250VAC
 - ELECTRIC LIFE: 30,000 MAKE-AND-BREAK CYCLES AT FULL LOAD.
 - INSULATION RESISTANCE: 1,000 MEGA-OHM MIN.
 - DIELECTRIC STRENGTH: 1,000 V RMS @SEA LEVEL.
 - OPERATING TEMP.: -30°C to 85°C
 - ▲ DENOTES CRITICAL PARAMETER.
 - CONTACT RESISTANCE: 10 m-OHMS TYP.
 - 2002/95/EC (ROHS) COMPLIANT



ISOMETRIC



E-SWITCH LOGO ON OPPOSITE SIDE



E-SWITCH™

TITLE 500SDP1S3M7QEA

C	19570	DRAWING UPDATE / CLEAN-UP	1/7/11	BGL
REV	PCR NO	DESCRIPTION	DATE	BY

THE INFORMATION CONTAINED IN THIS DOCUMENT IS PROPRIETARY TO E-SWITCH AND IS NOT TO BE COPIED OR TRANSFERRED

SCALE 2:1

DATE 1/7/2011

DR BGL

DWG T521016

REV C