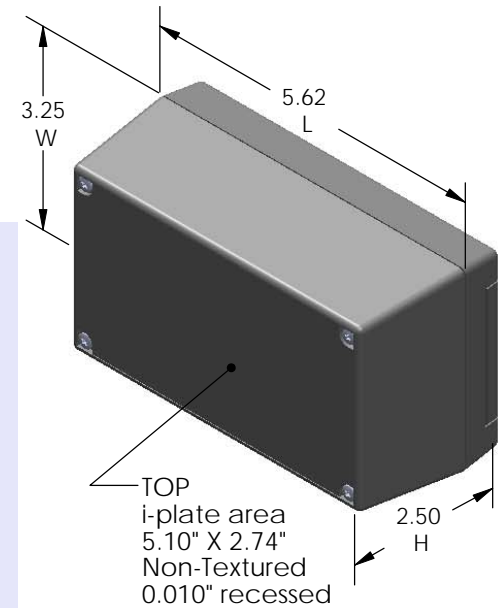
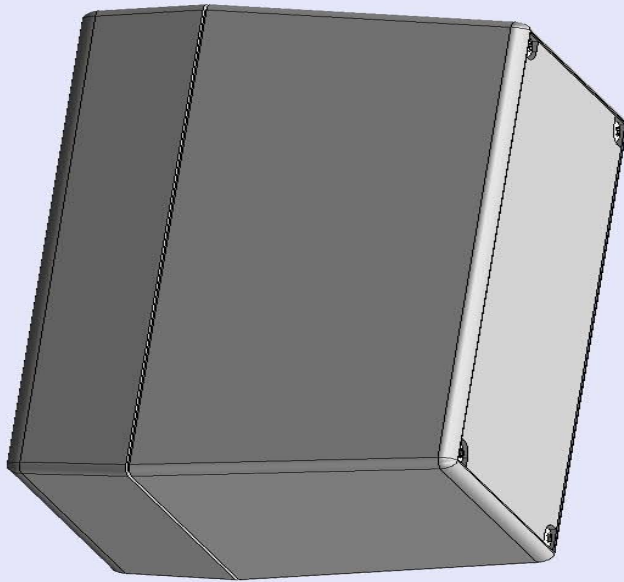


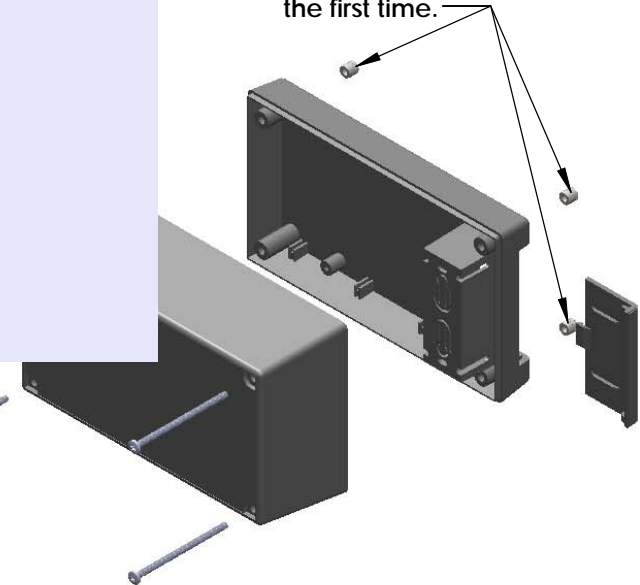
# SERPAC 253Ri (3D exploded)

Electronic Enclosures

-Click on image to show toolbar. Use  to Play/Pause Animation.  
-Left click and drag on image to move 3D model.



Threaded inserts only have to be assembled the first time.



- a) Zoom in & out with center wheel.
- b) Pause at any moment to view and or print views.
- c) Change the views to ortho and section views if needed from the Views pull down menu.
- d) Explore options included in the tool bar like: Views, Transparency of model, Lighting type, etc.

PART NO.	DESCRIPTION (Included)	ACCESSORIES (Optional)	
5-3Ri	TOP	PART NO.	DESCRIPTION
25	BOTTOM	50	Non-skid Feet
1025	Battery Cover	359	Prototype grid board (bottom)
6019	4-40 Screws (4)	459	Prototype clad board (bottom)
6102	Threaded Inserts (4)	350/450	Prototype grid / clad board (top)

Notes: Enclosure weight .34 lbs / 154 gm

- 1) Enclosure meets or exceeds IP40 and NEMA 1
- 2) Circuit Board drawings can be download at:

TOP:  
[http://www.serpac.com/Accessories/CircuitBoard/drawings/X53\\_CB.pdf](http://www.serpac.com/Accessories/CircuitBoard/drawings/X53_CB.pdf)

BOTTOM:  
<http://www.serpac.com/Accessories/CircuitBoard/drawings/359-459-cbg.pdf>

- 3) All components are RoHS Compliant.

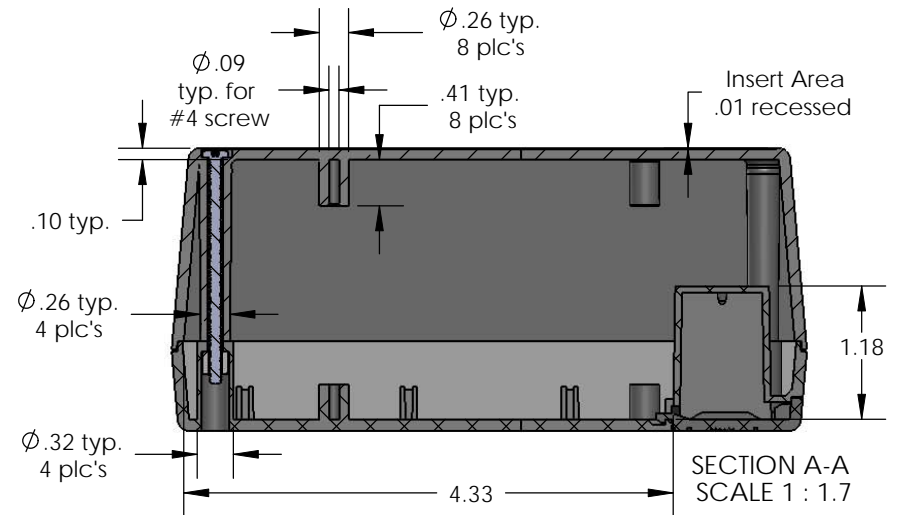
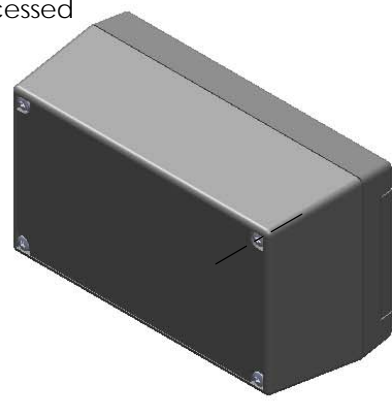
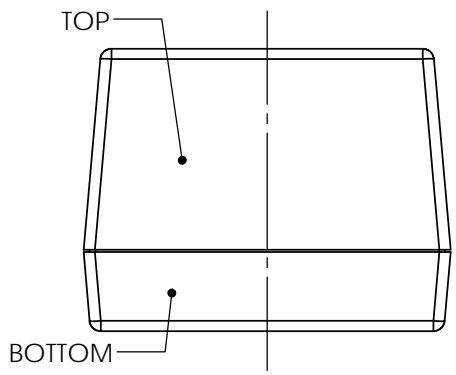
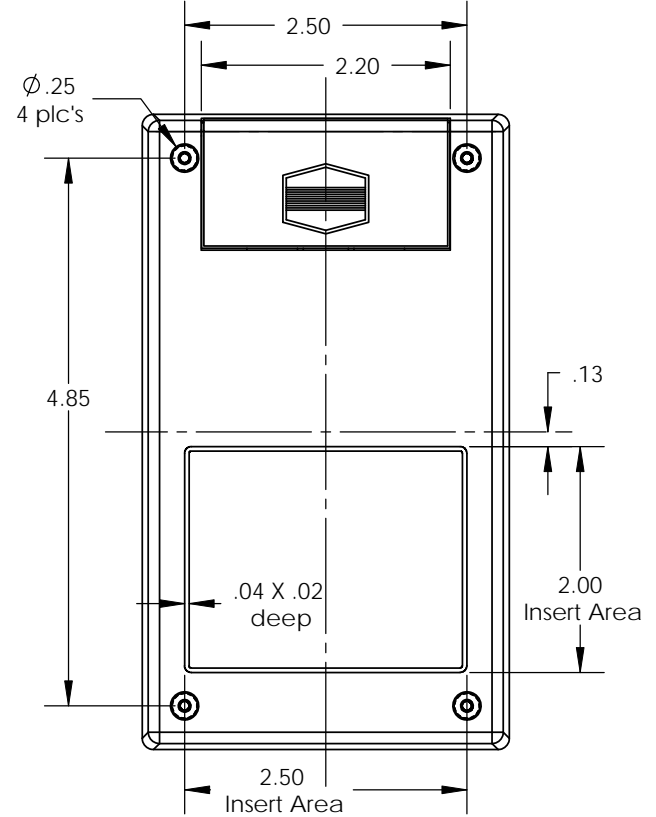
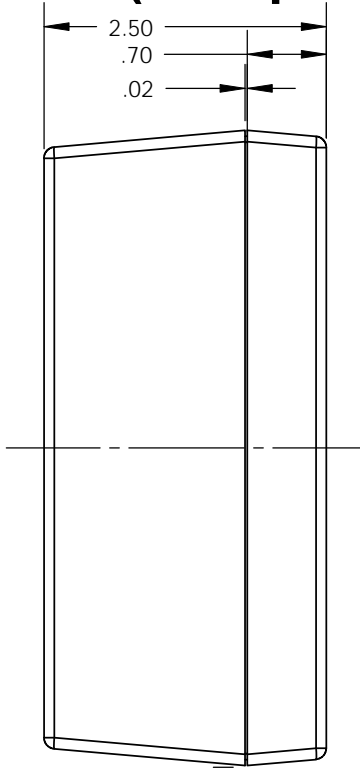
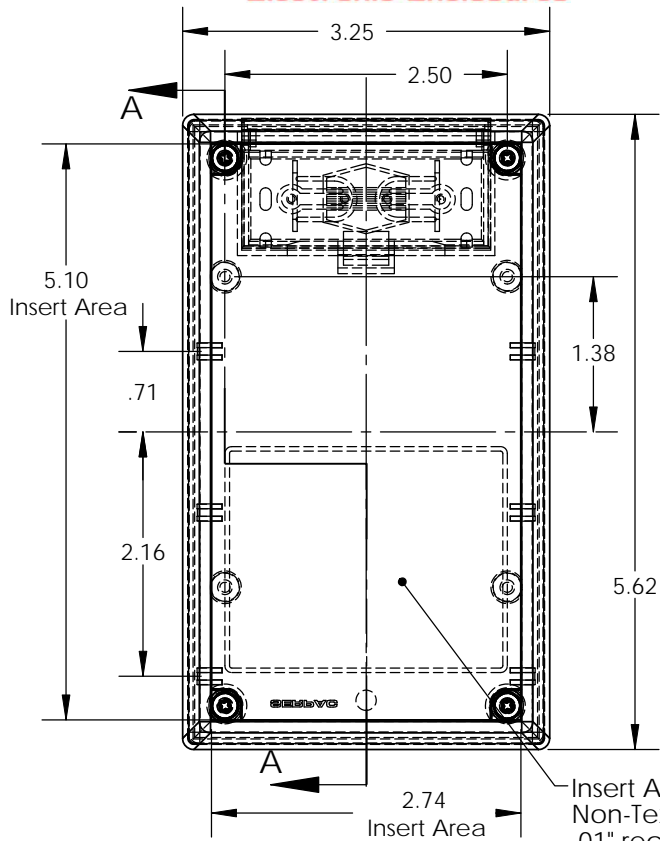
**ALL DIMENSIONS ARE ±.010" 8/04/10 (1 of 2)**

2009 Wright Ave. La Verne, CA 91750

Ph. (626) 331-0517 Fx. (626) 331-8584 [serpac.com](http://serpac.com)

# SERPAC 253Ri (user print)

Electronic Enclosures



PART NO.	DESCRIPTION (Included)	ACCESSORIES (Optional)	
		PART NO.	DESCRIPTION
5-3RI	TOP		
25	BOTTOM	50	Non-skid Feet
1025	Battery Cover	359	Prototype grid board (bottom)
6019	4-40 Screws (4)	459	Prototype clad board (bottom)
6102	Threaded Inserts (4)	350/450	Prototype grid / dad board (top)

Notes: Enclosure weight .34 lbs / 154 gm  
 1) Enclosure meets or exceeds IP40 and NEMA 1  
 2) Circuit Board drawings can be download at:  
 TOP: [http://www.serpac.com/Accessories/CircuitBoard/drawings/X53\\_CB.pdf](http://www.serpac.com/Accessories/CircuitBoard/drawings/X53_CB.pdf)  
 BOTTOM: <http://www.serpac.com/Accessories/CircuitBoard/drawings/359-459-cbg.pdf>  
 3) All components are RoHS Compliant.

ALL DIMENSIONS ARE ±.010" 8/04/10 (2 of 2)  
 2009 Wright Ave. La Verne, CA 91750  
 Ph. (626) 331-0517 Fx. (626) 331-8584 www.serpac.com