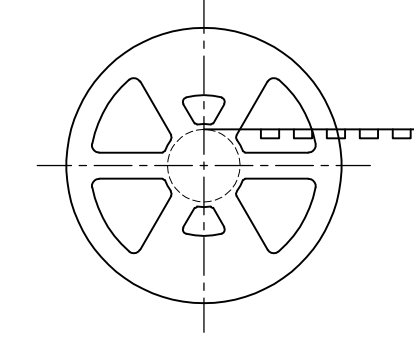
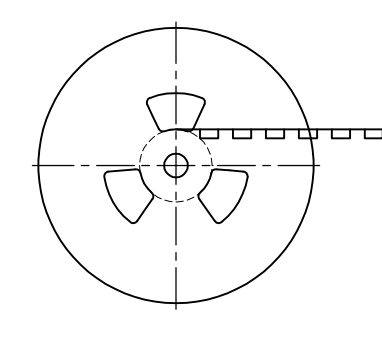
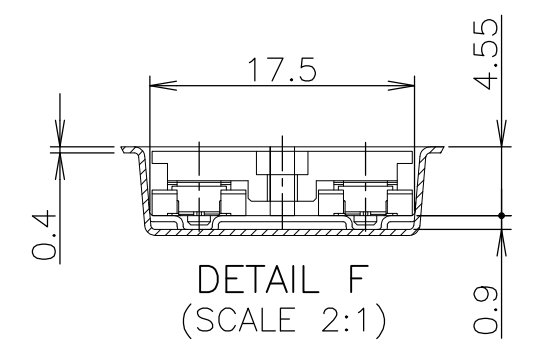
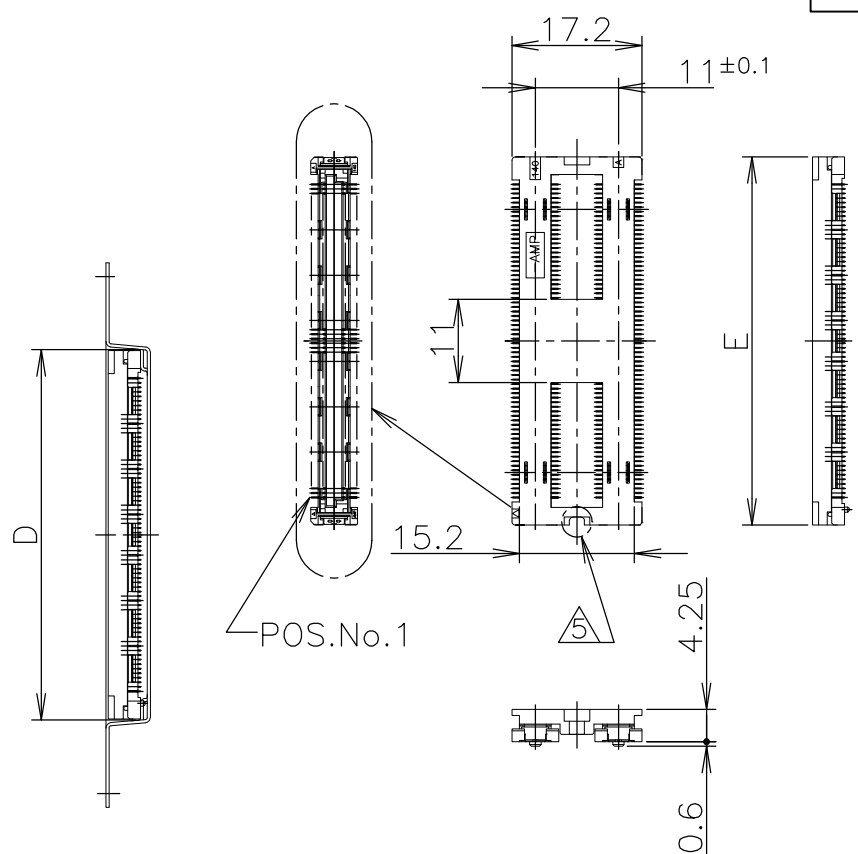
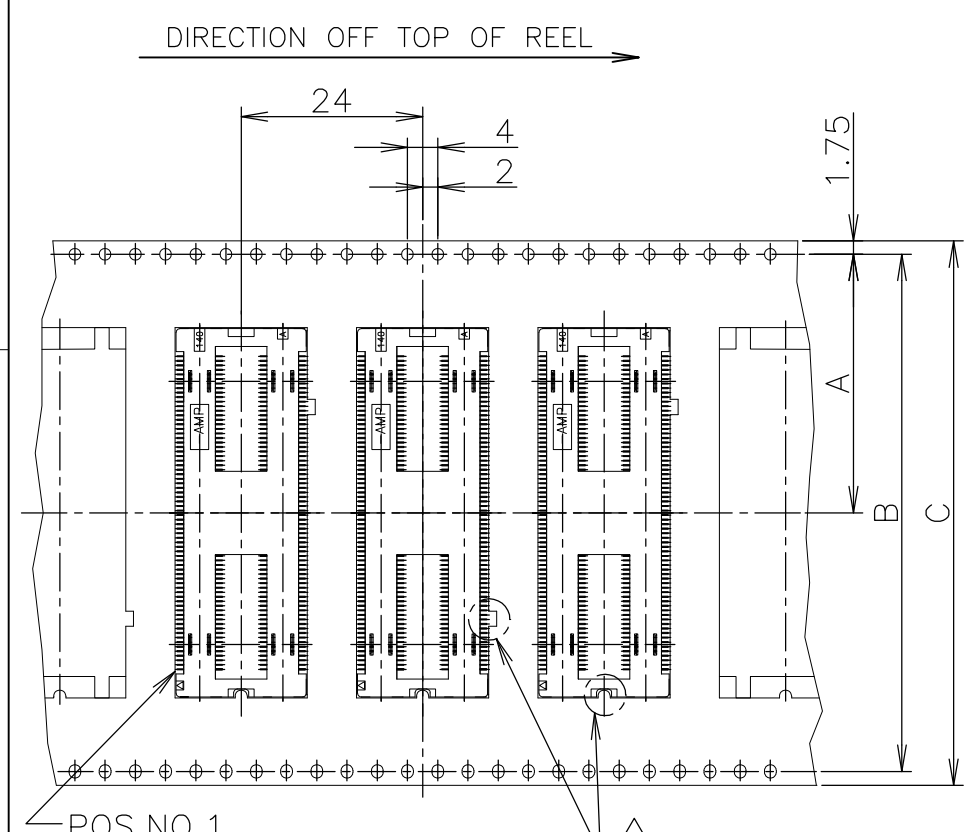


THIS DRAWING IS UNPUBLISHED. RELEASED FOR PUBLICATION APR , 1997.  
 © COPYRIGHT 1997 BY TYCO ELECTRONICS CORPORATION. ALL RIGHTS RESERVED.

LOC	DIST	REVISIONS			DATE	DWN	APVD
		P	LTR	DESCRIPTION			
J		A	REVISED	ECR-08-000340	01FEB08	T.T	T.F

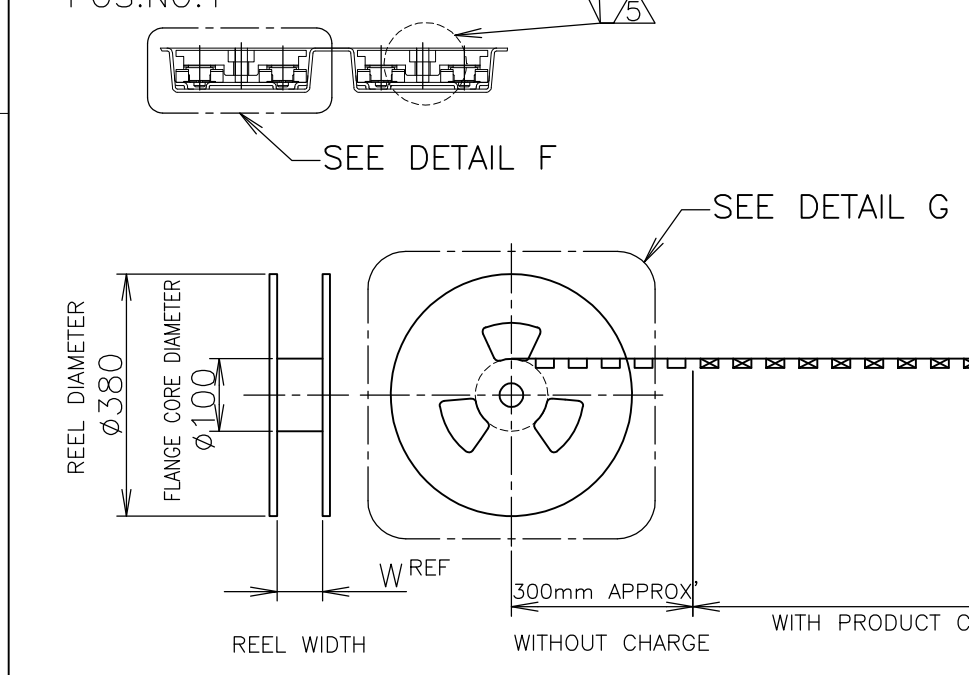


CONNECTOR DETAIL

PAPER REEL

PLASTIC REEL

DETAIL G



WEEDING THE COVER TAPE AROUND THE OUTER PERIPHERY IN A TURN.

SEALANT	REEL	TOOLING STATUS	QTY	W	E	D	C	B	A	POS.	PART NO.
---	---	---	650	77.5	54.7	55	72	68.4	34.2	320	6-5353906-1
---	---	---	↑	77.5	48.7	49	72	68.4	34.2	280	6-↑-0
---	---	---	---	61.5	42.7	43	56	52.4	26.2	240	5-↑-9
---	---	---	650	61.5	36.7	37	56	52.4	26.2	200	5-5353906-8
---	---	---	650	77.5	54.7	55	72	68.4	34.2	320	1-5353906-1
---	PLASTIC	AVAILABLE	↑	77.6	48.7	49	72	68.4	34.2	280	1-↑-0
---	---	---	---	61.5	42.7	43	56	52.4	26.2	240	↑-9
---	---	---	650	61.5	36.7	37	56	52.4	26.2	200	5353906-8

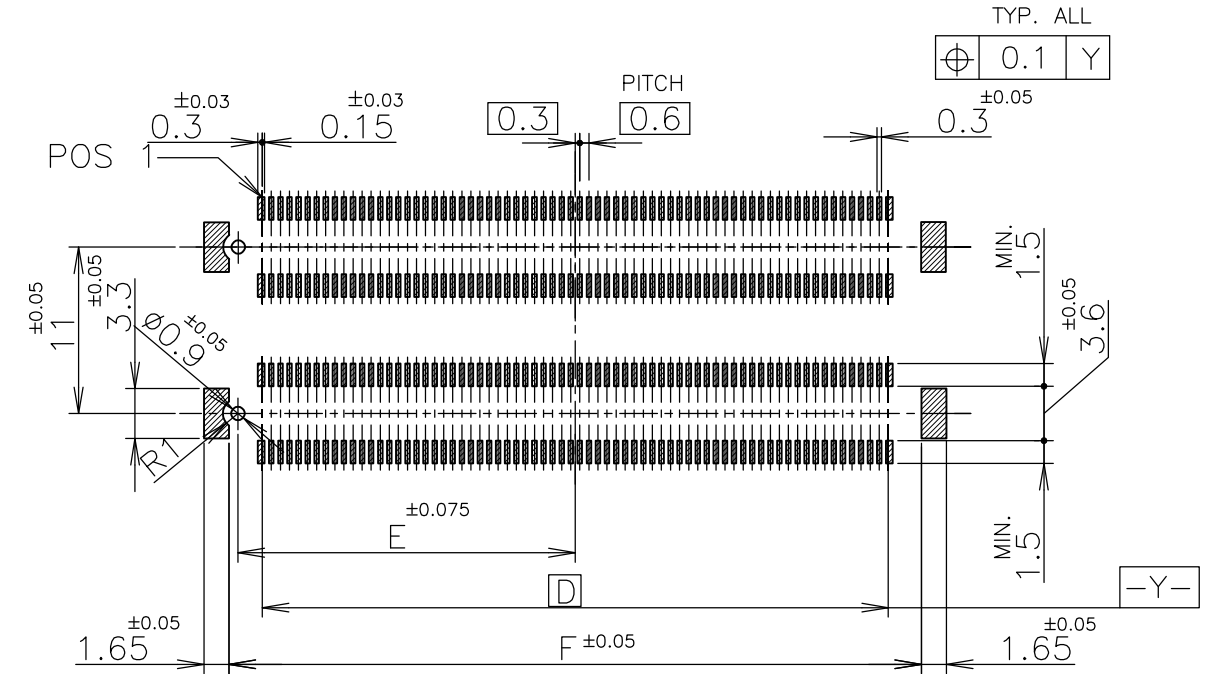
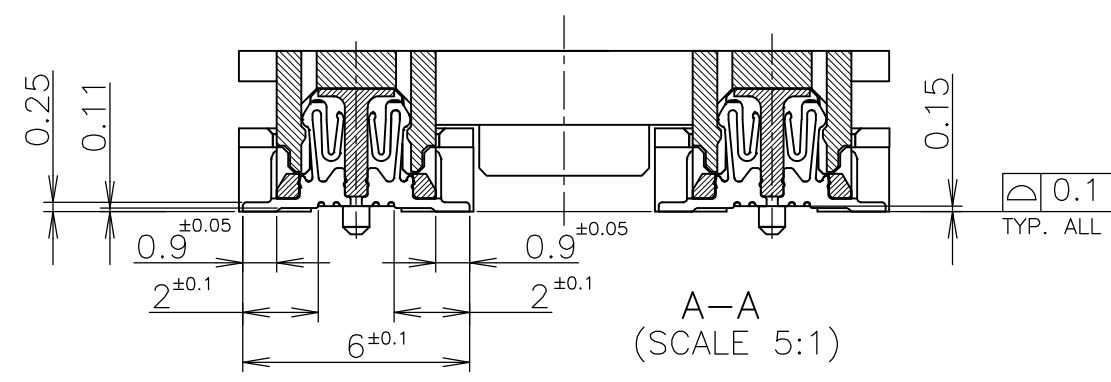
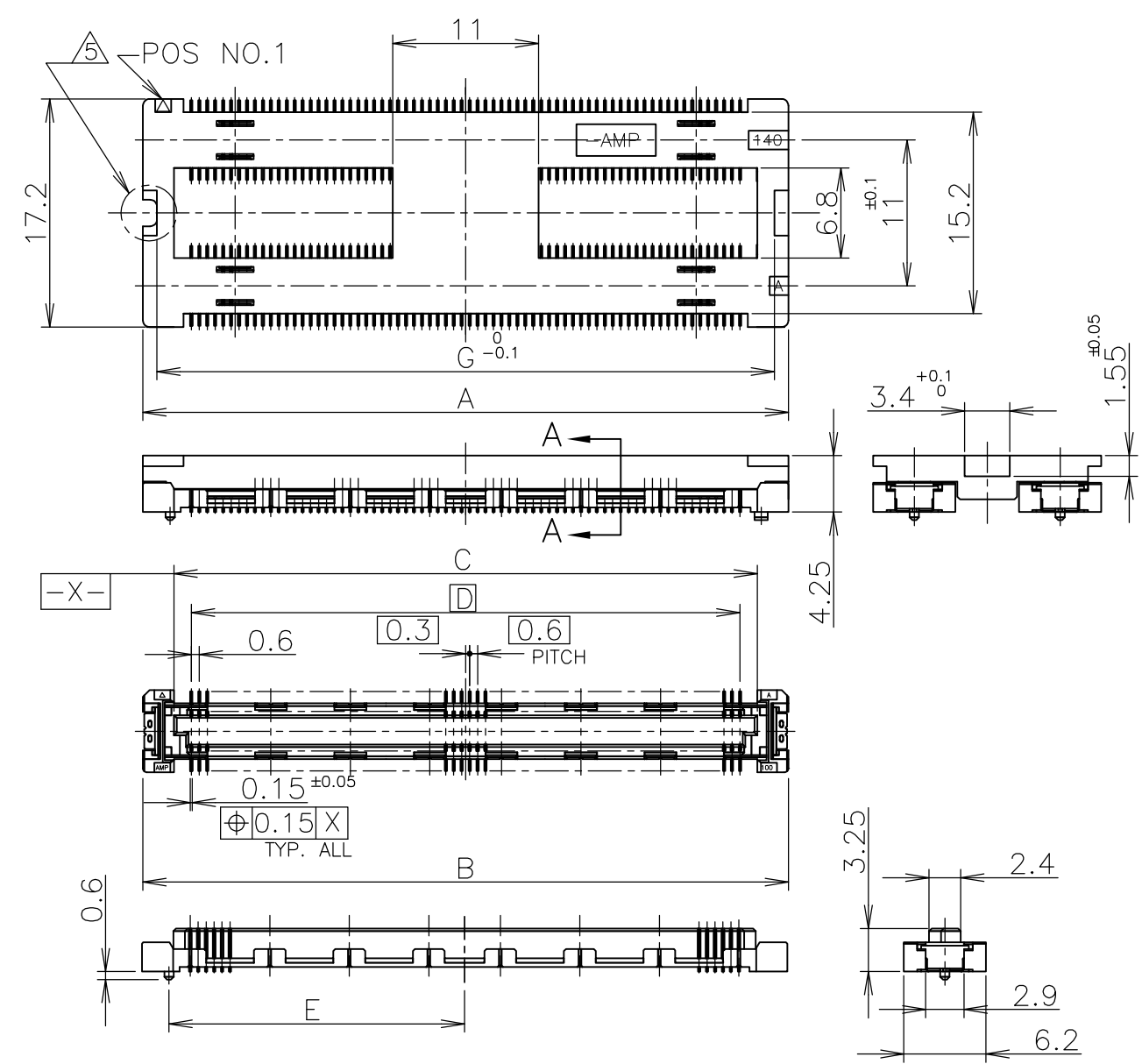
- ④ THIS PRODUCT WAS COATED BY FLUX-PENETRATION -INHIDTING AGENT.
- ⑤ CAP HOUSING AND EMBOSS TAPE FOR ONLY 280P HAS THESE ORIENTATION AND SUNK FEATURES.

THIS DRAWING IS A CONTROLLED DOCUMENT.

DIMENSIONS: 单位: 耗 mm	TOLERANCES UNLESS OTHERWISE SPECIFIED: 一般公差	DWN HAWKING HE 13DEC04	Tyco Electronics Corporation Kawasaki, Japan
0 PLC ± 0.2	1 PLC ± 0.2	CHK STEVEN YAO 13DEC04	
2 PLC ± 0.2	3 PLC ± 0.2	APVD I.ENOMOTO 13DEC04	NAME 名称
4 PLC ± 0.2	ANGLES ± 5'	PRODUCT SPEC 製品規格	EMBOSS ASSY
MATERIAL 材料	FINISH 仕上	APPLICATION SPEC 取付適用規格	FH 0.6BTB CONNECTOR REC. 4H 2ROW TYPE W/G-CONT ONE SIDE BOSS LESS TYPE
		WEIGHT	SIZE CAGE CODE DRAWING NO 番号
			A3 00779 C-5353906
			RESTRICTED TO
			CUSTOMER DRAWING
			SCALE 尺度 1:1 SHEET 1 OF 3 REV A

THIS DRAWING IS UNPUBLISHED. RELEASED FOR PUBLICATION APR, 1997.  
 © COPYRIGHT 1997 BY TYCO ELECTRONICS CORPORATION. ALL RIGHTS RESERVED.

LOC	DIST	REVISIONS			DATE	DWN	APVD
		P	LTR	DESCRIPTION			
J				SEE SHEET 1	-	-	-



- 1 MATERIAL ; HOUSING : HIGH TEMP THERMO PLASTIC UL94V-0 CONTACT : COPPER ALLOY
- 2 FINISH ; UNDER PL Ni 0.0013mm MIN ALL OVER. CONTACT AREA 0.0002 MIN Au PL. SOLDERING AREA SIGNAL POS: 0.00005 MIN Au PL. GROUND POS: 0.001 MIN TIN PL.
- 3 THIS POSITION IS GROUND CIRCUIT.

NOT AVAILABLE	52.6	51.8	25.3	47.4	50	54.7	54.7	320	1-353123-1
AVAILABLE	46.6	45.8	22.3	41.4	44	48.7	48.7	280	1- ↑ -0
NOT AVAILABLE	40.6	39.8	19.3	35.4	38	42.7	42.7	240	-9
AVAILABLE	34.6	33.8	16.3	29.4	32	36.7	36.7	200	353123-8
TOOLING STATUS	G	F	E	D	C	B	A	POS	CAP P/N

GENERAL TOLERANCE  
一般公差

10 ≥ ±0.2  
30 ≥ >10: ±0.25  
100 ≥ >30: ±0.3  
ANGLES: ±3°

THIS DRAWING IS A CONTROLLED DOCUMENT.

DIMENSIONS: 单位: 耗 mm

TOLERANCES UNLESS OTHERWISE SPECIFIED: 一般公差

0 PLC ± -  
1 PLC ± -  
2 PLC ± -  
3 PLC ± -  
4 PLC ± -  
ANGLES ± -

FINISH 仕上

MATERIAL 材料

1

DWN  
CHK  
APVD

PRODUCT SPEC 製品規格

APPLICATION SPEC 取付適用規格

WEIGHT

Customer Drawing

Tyco Electronics Corporation  
Kawasaki, Japan

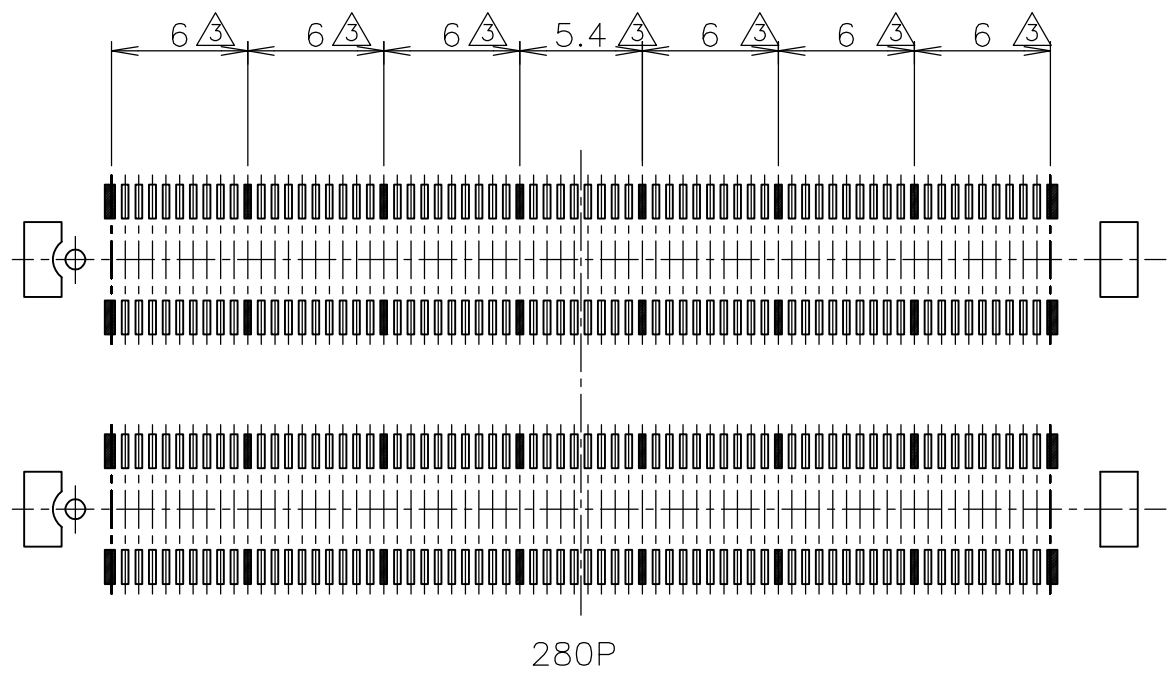
EMBOSS ASSY  
FH 0.6BTB CONNECTOR REC. 4H 2ROW TYPE  
W/G-CONT ONE SIDE BOSS LESS TYPE

SIZE A3 CAGE CODE 00779 DRAWING NO G-5353906 RESTRICTED TO

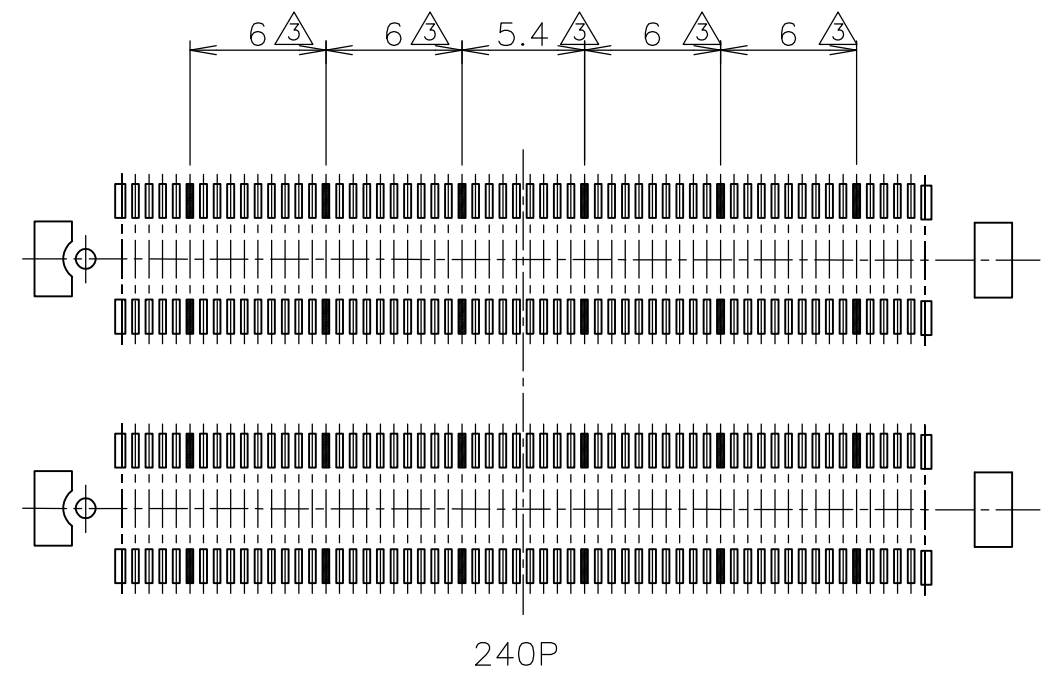
SCALE 尺度 2:1 SHEET 2 OF 3 REV A

THIS DRAWING IS UNPUBLISHED. RELEASED FOR PUBLICATION APR , 1997.  
 © COPYRIGHT 1997 BY TYCO ELECTRONICS CORPORATION. ALL RIGHTS RESERVED.

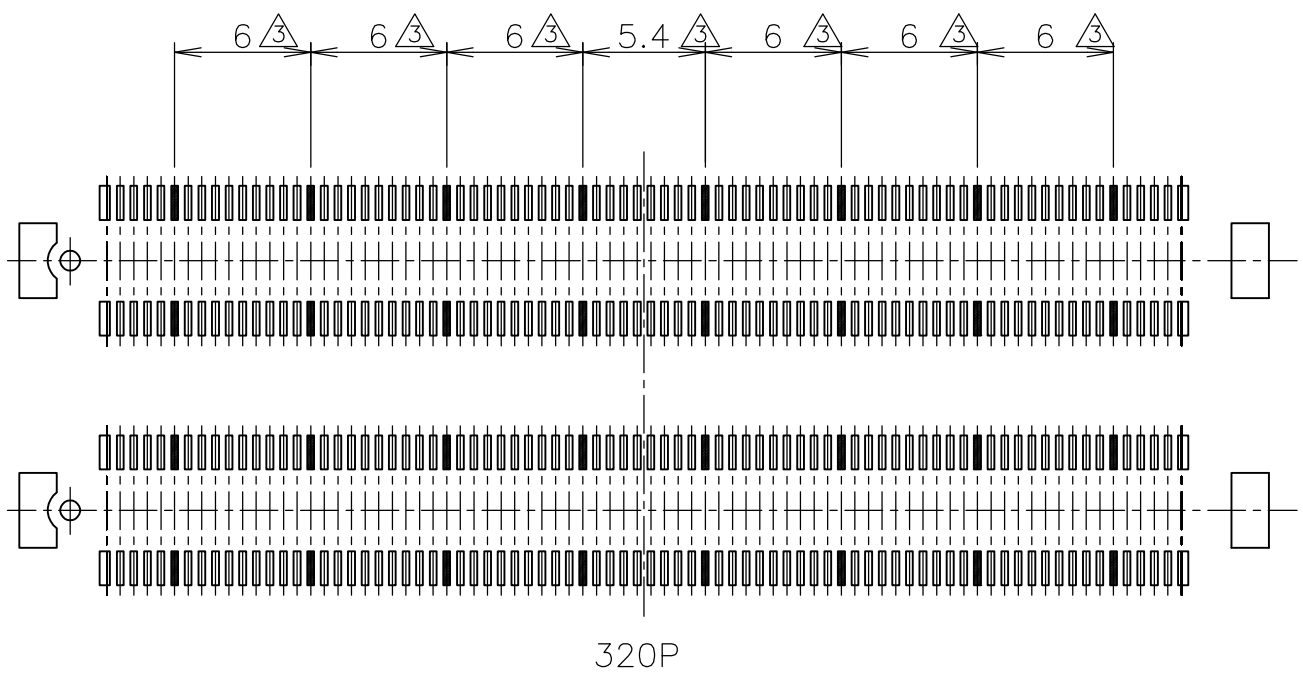
LOC	DIST	REVISIONS			DATE	DWN	APVD
		P	LTR	DESCRIPTION			
J			-	SEE SHEET 1	-	-	-



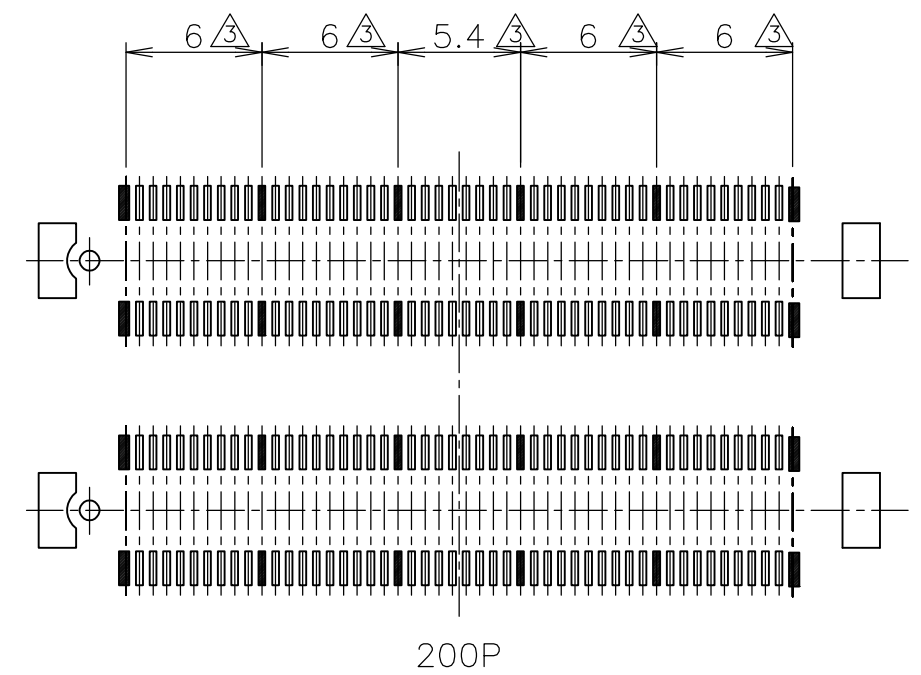
280P



240P



320P



200P

GENERAL TOLERANCE  
一般公差

10 ≥	±0.2
30 ≥	>10: ±0.25
100 ≥	>30: ±0.3
ANGLES: ±3°	

THIS DRAWING IS A CONTROLLED DOCUMENT.		DWN	Tyco Electronics Corporation Kawasaki, Japan	
DIMENSIONS: 単位: 耗 mm	TOLERANCES UNLESS OTHERWISE SPECIFIED: 一般公差	CHK	NAME 名称	
	0 PLC ±-	APVD	EMBOSS ASSY	
	1 PLC ±-	PRODUCT SPEC 製品規格	FH 0.6BTB CONNECTOR REC. 4H 2ROW TYPE	
	2 PLC ±-	APPLICATION SPEC 取付適用規格	W/G-CONT ONE SIDE BOSS LESS TYPE	
	3 PLC ±-	WEIGHT	SIZE	CAGE CODE
MATERIAL 材料	4 PLC ±-	CUSTOMER DRAWING	A3	00779
	ANGLES ±-		DRAWING NO 番号	G-5353906
	FINISH 仕上		RESTRICTED TO	
			SCALE 尺度	3:1
			SHEET	3 OF 3
			REV	A