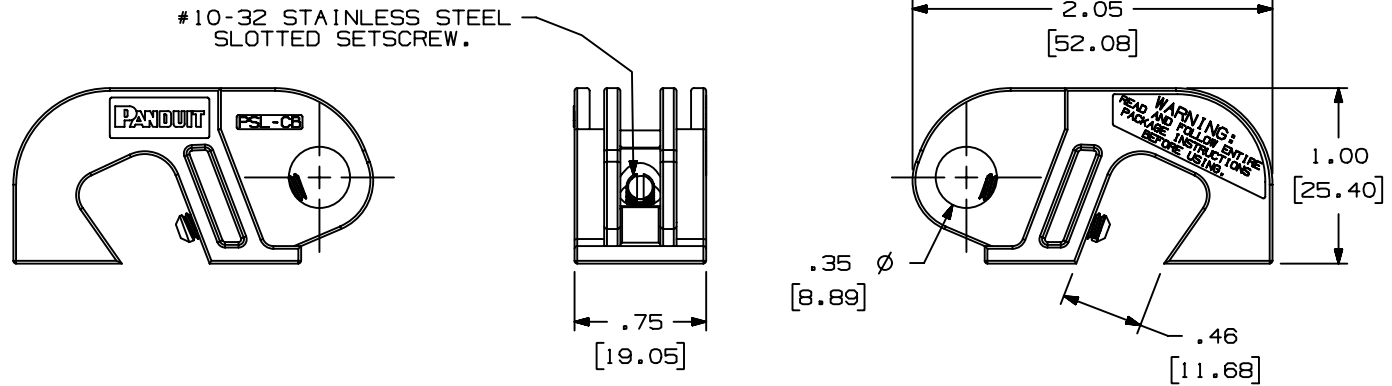


THIS COPY IS PROVIDED ON A RESTRICTED BASIS AND IS NOT TO BE USED IN ANY WAY DETRIMENTAL TO THE INTERESTS OF PANDUIT CORP.



NOTES:
1. MILLIMETERS ARE SHOWN IN BRACKETS.

										CAD FILENAME/LAYERS		I00619BA_C10158_psl-cb_00.prt	
										PANDUIT CORP. TINLEY PARK, ILLINOIS			
										PSL-CB CIRCUIT BREAKER LOCKOUT			
										UNLESS OTHERWISE SPECIFIED, DIMENSIONAL TOLERANCES ARE: (.X) ± (.XXX) ± (.XX) ± .015 ANGLES ±		UNLESS OTHERWISE SPECIFIED, ALL DIMENSIONS ARE GIVEN IN INCHES, THIRD ANGLE PROJECTION.	
										DRAWN BY RVU	MAT'L; RED NYLON		SCALE NTS
R	11-25-03	RVU		DRAWING RELEASE			3472	R			DATE 11-25-03	DRAWING NO. C10158	DWG A
REV	DATE	BY	CHK	DESCRIPTION			ECN	- R	CUST	SUP	CHK'D		SIZE