

PART NUMBER	REV	FIRST USED	TERMINATOR	FEED TYPE	DESCRIPTION
1426028-1	F	-	LEADMAKER	MECH POST FEED	CUTS CARRIER
1426028-2	F	-	BENCH	MECH PRE FEED	CUTS CARRIER
1426028-6	F	-	LEADMAKER	MECH POST FEED	CONTINUOUS CARRIER
7-1426028-1	F	-	LEADMAKER	MECH POST FEED	-1 AND SPARE PARTS
7-1426028-2	F	-	BENCH	MECH PRE FEED	-2 AND SPARE PARTS
7-1426028-6	F	-	LEADMAKER	MECH POST FEED	-6 AND SPARE PARTS
7-1426028-7	D	-	-	-	SPARE PARTS KIT

CRIMP DATA (AMP TERMINAL)

TERMINAL NAME: PIN & SKT ASSY, .062, TYPE III+

CRIMP	SIZE	TYPE	RANGE
WIRE	2.03 [.080 IN]	F	0.50 - 1.50mm ²
INSUL	3.05 [.120 IN]	0	2.0-2.5 [.080-.098 IN]

WIRE STRIP LENGTH 3.6-4.3 [.141-.171 IN] APPL INSTRUCTION 408-8322

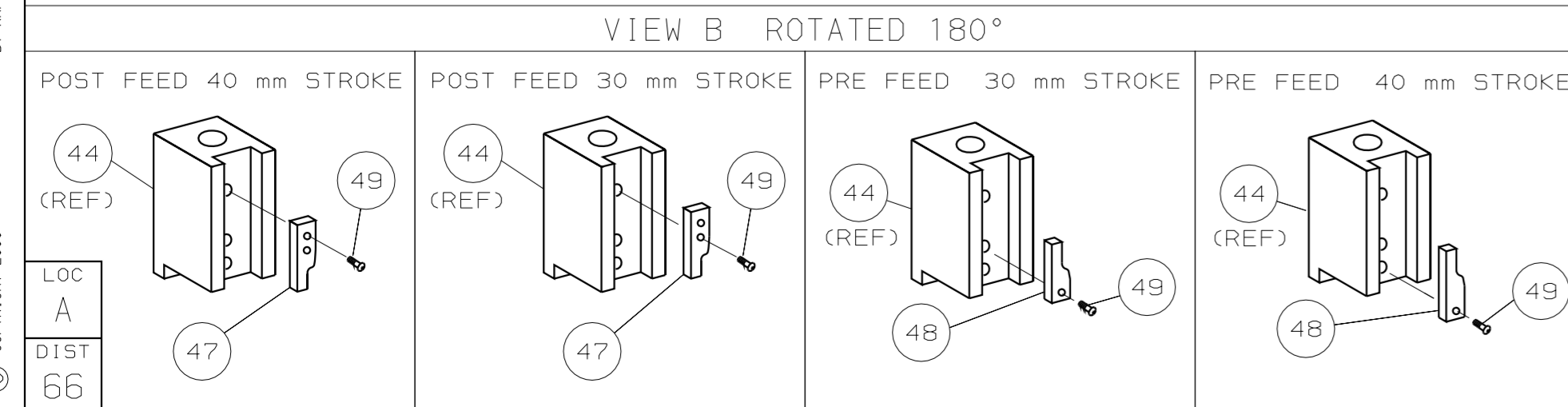
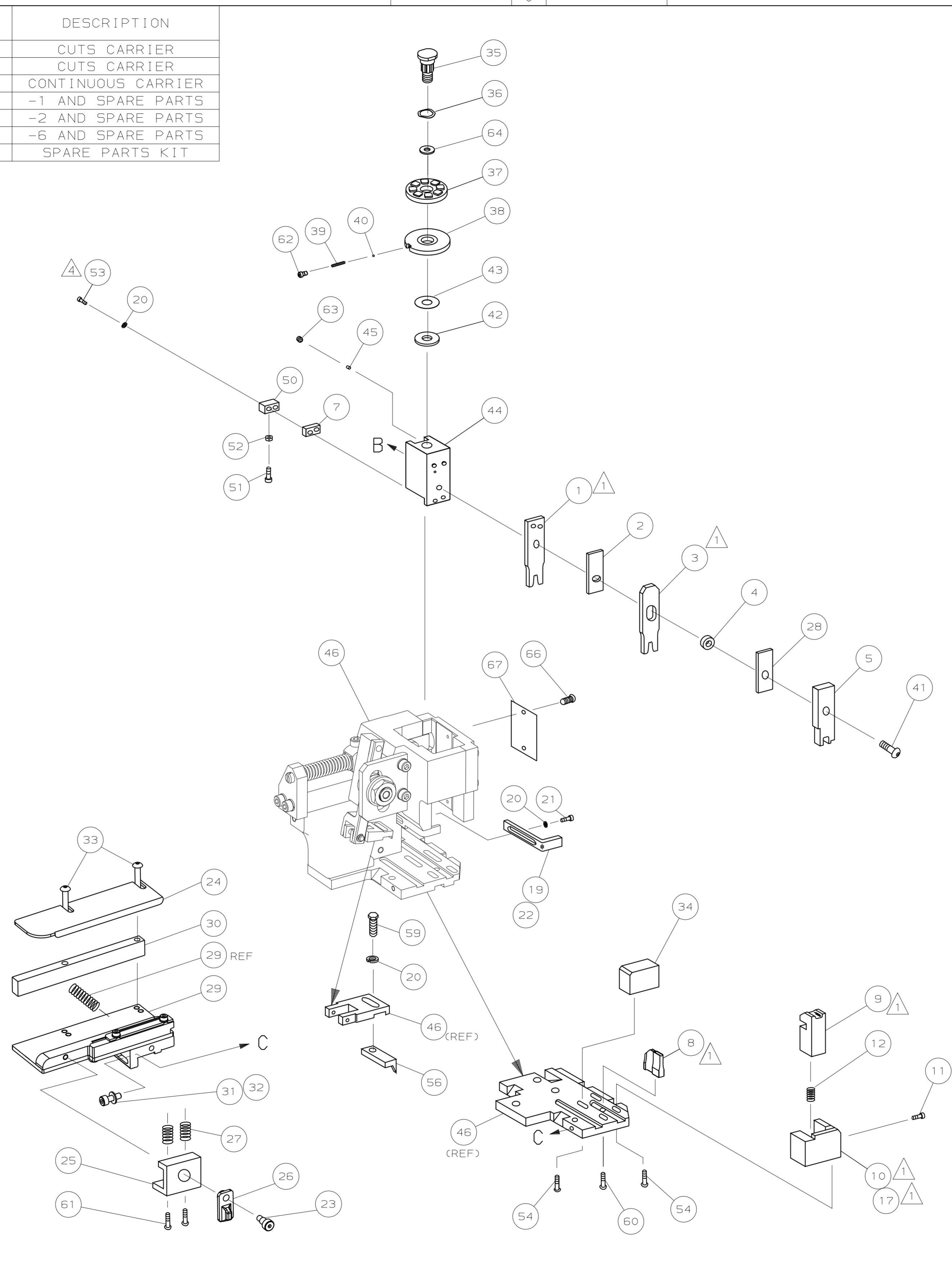
TERMINAL	114-19000	-	FEED
APPL SPEC	-	-	12.7 [.5 IN]

TERMINALS APPLIED

163083	-	-	-	-
163767	-	-	-	-
163081	-	-	-	-
163766	-	-	-	-
164161	-	-	-	-
-	-	-	-	-
-	-	-	-	-
-	-	-	-	-
-	-	-	-	-

WIRE SIZE	CRIMP HEIGHT	PIN PN & LENGTH [IN]
16 AWG or 1.50mm ²	1.40 ±0.05 [.055 ±.002 IN]	1-354779-2 [.3050]
1.00mm ²	1.32 ±0.05 [.052 ±.002 IN]	1-354779-8 [.3080]
18 AWG or 0.75mm ²	1.27 ±0.05 [.050 ±.002 IN]	2-354779-2 [.3100]
20 AWG or 0.50mm ²	1.19 ±0.03 [.047 ±.001 IN]	3-354779-0 [.3140]

- RECOMMENDED SPARE PARTS.
- GREASE RAM, CAM, CAM FOLLOWER AND FEED ROD LIGHTLY.
- LUBRICATE DAILY PER THE APPLICATOR INSTRUCTION SHEET SUPPLIED WITH THE APPLICATOR.
- CUT TO LENGTH AT ASSY.



QTY	REQD	PER	ASSY	PART NO	DESCRIPTION	ITEM NO			
-	1	1	1	1	1	1	1426028	PRINT, APPLICATOR LOG SHEET	73
-	1	1	1	1	1	1	1338705-1	DOCUMENTATION PACKAGE	71
-	-	-	-	-	-	-	-	-	70
-	-	-	-	-	-	-	-	-	69
-	-	-	-	-	-	-	-	-	68
-	1	1	1	1	1	1	461264-1	PLATE, IDENTIFICATION	67
-	2	2	2	2	2	2	21017-2	SCR,DRIVE (#2x.19) ID PLATE	66
-	-	-	-	-	-	-	-	-	65
-	1	1	1	1	1	1	986950-1	WASHER, FLAT PRECISION	64
-	1	1	1	1	1	1	3-18031-0	SCR,SKT SET (M6X6 LW)RAM	63
-	1	1	1	1	1	1	18023-9	SCR,SHC (M4X6) INS DISC	62
-	2	2	2	2	2	2	2-18032-5	SCR,SOC SET (MSX20) DRAG	61
-	1	1	1	1	1	1	18024-7	SCR,BHC (M4X10) ANVIL	60
-	1	1	1	1	1	1	5-18022-2	SCR,HEX (M4X8) FEED FINGER	59
-	-	-	-	-	-	-	-	-	58
-	-	-	-	-	-	-	-	-	57
-	1	1	1	1	1	1	1338685-1	PAWL, FEED	56
-	-	-	-	-	-	-	-	-	55
-	4	4	4	4	4	4	18024-8	SCR,BHC (M4X12) SHEAR HOLDER	54
-	2	2	2	2	2	2	1-18023-4	SCR,SHC (M4X20) TERM HLD DWN	53
-	1	1	1	1	1	1	18030-1	NUT, HEX (M3) HOLD DOWN	52
-	1	1	1	1	1	1	811242-5	BUMPER, HOLDDOWN	51
-	1	1	1	1	1	1	690753-2	SPACER, TONKER	50
-	1	1	1	1	1	1	18024-3	SCR,BHC (M3X10) CAM	49
-	-	-	-	-	-	-	-	-	48
-	1	-	1	1	-	-	1338675-1	CAM, PRE FEED 30 & 40 mm ST	48
-	1	-	1	1	-	-	1338676-1	CAM, POST FEED 30 & 40 mm ST	47
-	1	1	1	1	1	1	1320999-3	APPLICATOR BASIC SUBASSY	46
-	1	1	1	1	1	1	690191-1	PLUG, NYLON	45
-	1	1	1	1	1	1	1338660-1	RAM	44
-	1	1	1	1	1	1	690125-1	WASHER, LAMINATED	43
-	1	1	1	1	1	1	690124-1	WASHER, RAM	42
-	1	1	1	1	1	1	2-18024-6	SCR,BHC (M8X25) RAM	41
-	1	1	1	1	1	1	23241-1	BALL, STEEL	40
-	1	1	1	1	1	1	2-22278-7	SPRING, COMPRESSION	39
-	1	1	1	1	1	1	1320922-1	DISC, INSULATION	38
-	1	1	1	1	1	1	354777-1	WIRE DISC, PLASTIC	37
-	1	1	1	1	1	1	22480-5	WASHER, SPRING	36
-	1	1	1	1	1	1	690212-1	POST, RAM	35
-	1	1	1	1	1	1	1320934-1	SUPPORT, TERMINAL	34
-	2	2	2	2	2	2	1-18024-0	SCR,BHC (M4X20) STRIP GUIDE	33
-	1	1	1	1	1	1	18027-2	WASHER, FLAT (M4)	32
-	1	1	1	1	1	1	1-18023-2	SCR,SKT CAP (M4X12) MOUNT BLOCK	31
-	1	1	1	1	1	1	1320908-1	SPACER, STRIP GUIDE	30
-	1	1	1	1	1	1	1633073-1	STRIP GUIDE PLATE ASSY	29
-	1	1	1	1	1	1	1-455888-4	SPACER, FRONT SHEAR DEP	28
-	2	2	2	2	2	2	1-22284-0	SPRING, DRAG	27
-	1	1	1	1	1	1	356835-1	LEVER, DRAG RELEASE	26
-	1	1	1	1	1	1	240792-1	DRAG, TERMINAL	25
-	1	1	1	1	1	1	1320928-1	PLATE, STRIP GUIDE	24
-	1	1	1	1	1	1	980371-4	SCR,SHC SHLD	23
-	1	-	1	1	-	-	690472-2	STRIPPER	22
-	1	1	1	1	1	1	1-18023-1	SCR,SHC (M4X10) STRIPPER	21
-	4	4	4	4	4	4	18025-2	WASHER, LOCK (M4) STRIPPER	20
-	-	1	-	-	1	-	690472-1	STRIPPER	19
-	-	-	-	-	-	-	-	-	18
-	1	-	-	1	-	-	1338684-1	HOLDER, SHEAR, FRONT (NO-CUT)	17
-	-	-	-	-	-	-	-	-	16
-	-	-	-	-	-	-	-	-	15
-	-	-	-	-	-	-	-	-	14
-	-	-	-	-	-	-	-	-	13
-	1	1	1	1	1	1	3-22280-3	SPRING, SHEAR	12
-	1	1	1	1	1	1	356885-4	STOP, SHEAR	11
-	-	1	1	-	1	1	1320921-1	HOLDER, SHEAR, FRONT (CUT)	10
-	1	1	1	1	1	1	454276-1	SHEAR, FLOAT (FRONT)	9
1	2	2	2	2	2	2	1333228-1	ANVIL	8
-	1	1	1	1	1	1	240641-3	SPACER, DEPRESSOR (REAR)	7
-	-	-	-	-	-	-	-	-	6
-	1	1	1	1	1	1	1-455889-4	DEPRESSOR, SHEAR (FRONT)	5
-	1	1	1	1	1	1	238011-6	SPACER, BLOCK CRIMPER	4
1	2	2	2	2	2	2	9-456135-2	CRIMPER, INSULATION	3
-	1	1	1	1	1	1	455888-4	SPACER, CRIMPER	2
1	2	2	2	2	2	2	1-456405-5	CRIMPER, WIRE	1

QTY REQD PER ASSY

DIMENSIONS: mm [INCHES] MATL

DO NOT SCALE PRINT.

TOLERANCES UNLESS OTHERWISE SPECIFIED:

2 PLC DEC ±0.5 [0.2 IN]

3 PLC DEC ±

4 PLC DEC ±

ANGLES ±

SURF TEXTURE: ✓

REMOVE BURRS, BREAK SHARP EDGES RO.38 MAX

DR M.CLIFFORD 07JUN00 APP F.BACKHURST 07JUN00

CHK L.LOFTHOUSE 180CT00 REL L.LOFTHOUSE

AMP Incorporated Harrisburg, PA 17105-3608

NAME SIDE FEED HD-I APPLICATOR MACHINE REF HD-I APPL

SCALE - DWG NO 1426028 SHEET 1 OF 1 REV F

CAGE CODE 00779 CUSTOMER AND ASSEMBLY DRAWING

THIS DRAWING IS A CONTROLLED DOCUMENT.

LAYOUT L1426028 SET UP GAGE 458637-3

RELEASED FOR PUBLICATION 2000 BY AMP INCORPORATED. ALL RIGHTS RESERVED.

THIS DRAWING IS UNRELEASABLE. AMP 1756 REV 3-92