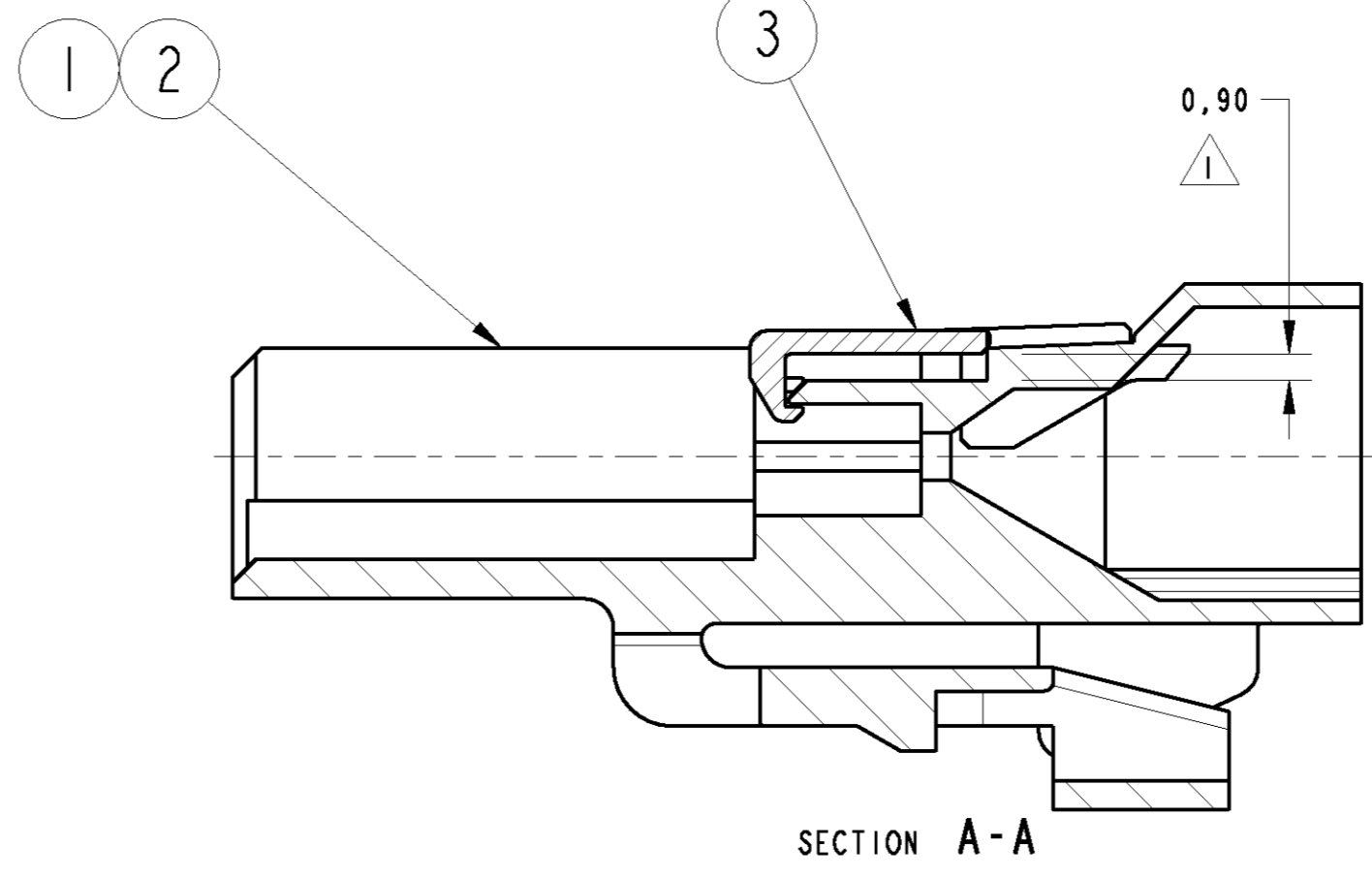
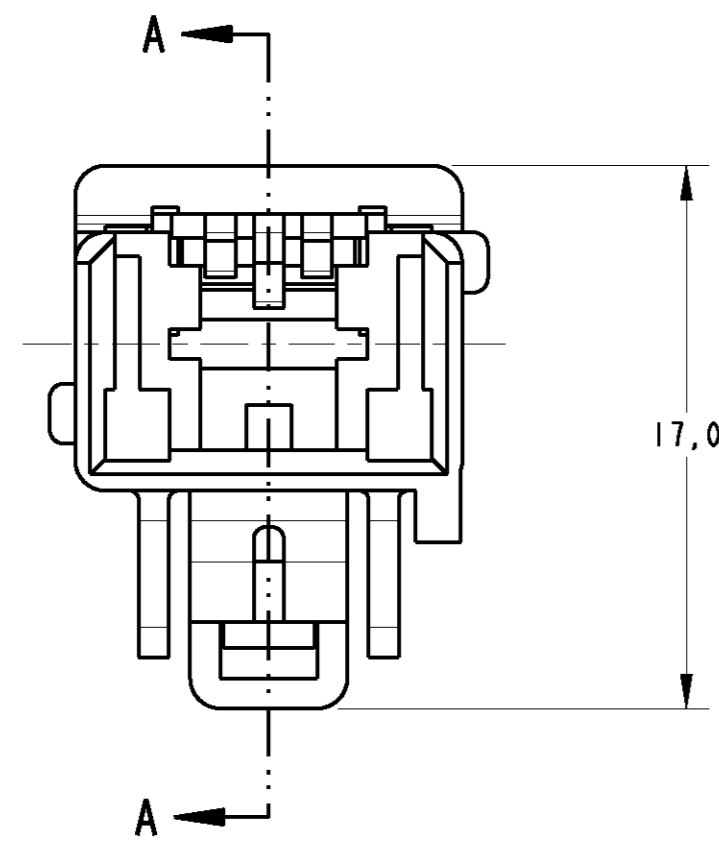
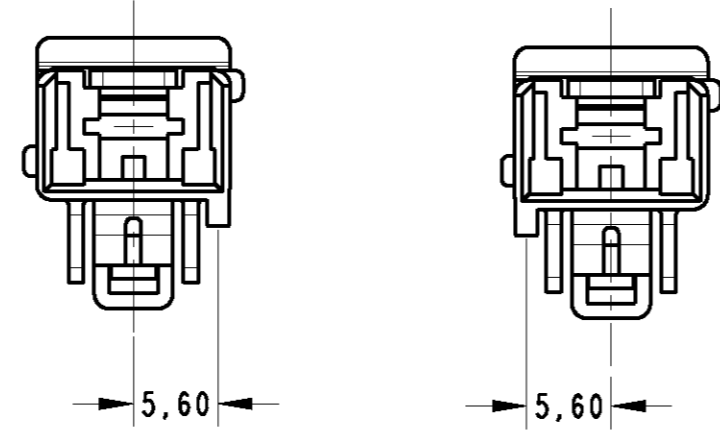
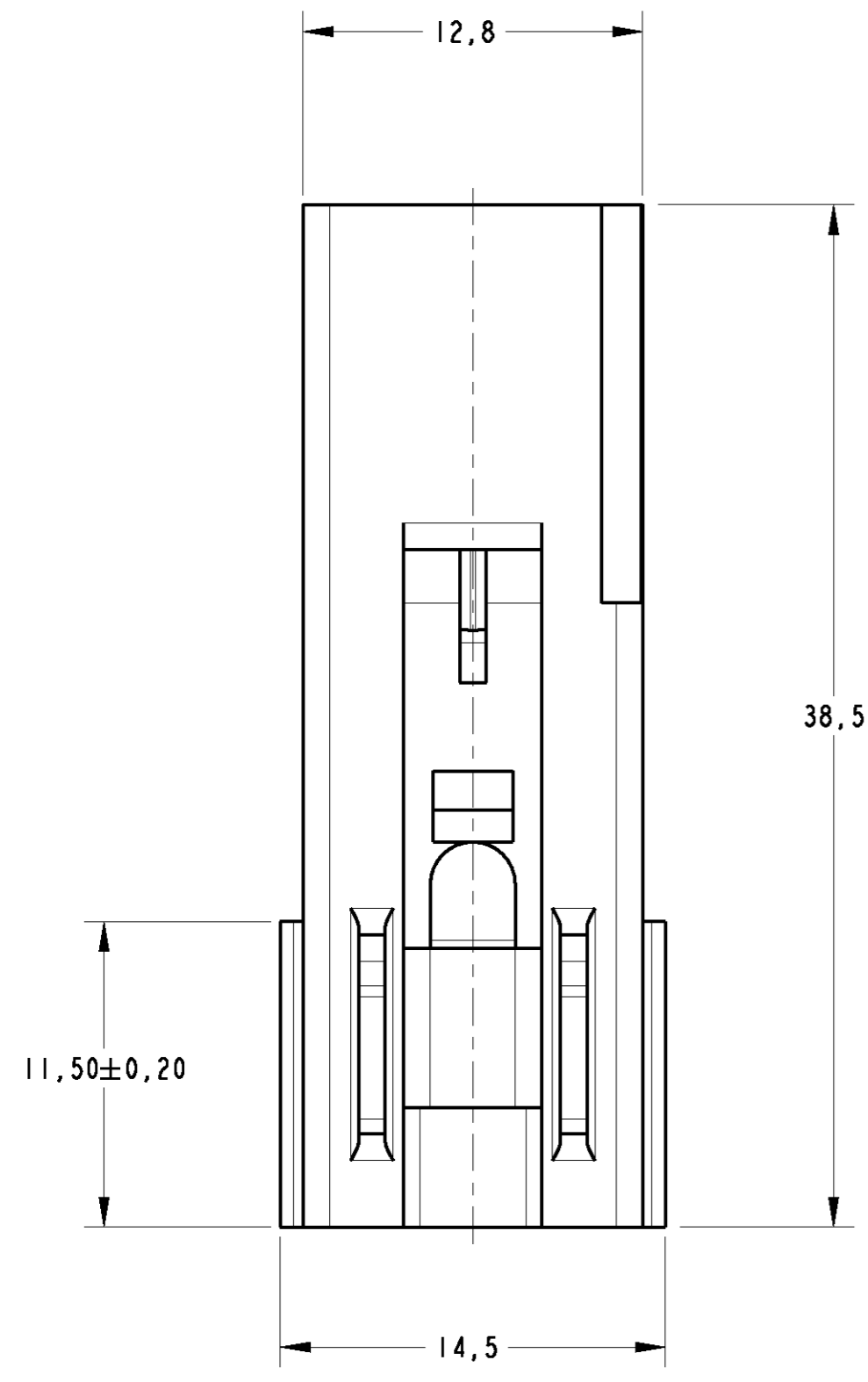


THIS DRAWING IS UNPUBLISHED. RELEASED FOR PUBLICATION
 © COPYRIGHT 20 BY TYCO ELECTRONICS CORPORATION. ALL RIGHTS RESERVED.

LOC		DIST		REVISIONS			
P	LTR	DESCRIPTION	DATE	DWN	APVD		
AP	-						
	C2	REVISED BY ECO-09-003255	10JUN2009	EGS	MBG		



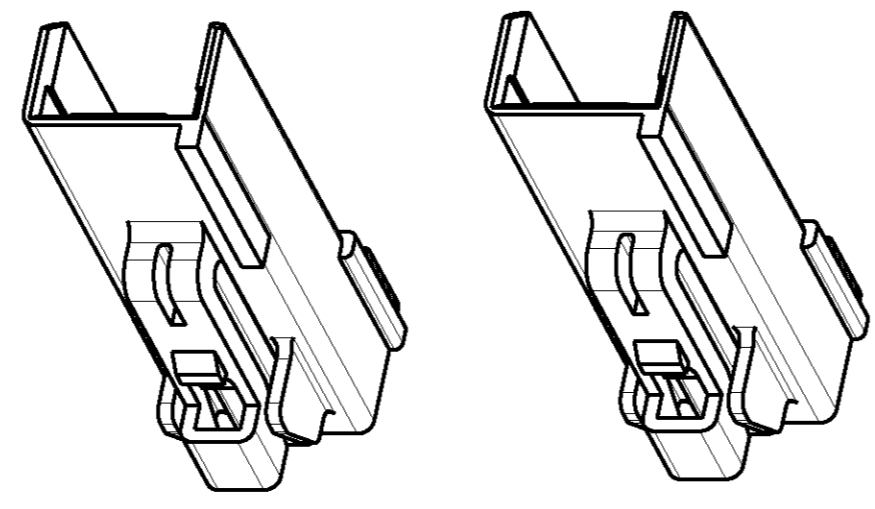
GRAVAÇÃO	MARKING
LOGOTIPO TE	TE LOGO
CÓDIGO PAÍS PRODUTOR	MANUFACTURER COUNTRY CODE
NOMENCLATURA MATERIAL	MATERIAL NOMENCLATURE
NÚMERO COMPONENTE TE	TE COMPONENT NUMBER
NÚMERO CAVIDADE	CAVITY NUMBER
LOGOTIPO CLIENTE	CUSTOMER LOGO
REV+ LETRA REV.DA PEÇA	REV.+ PART REV.LETTER



TYCO PN 1380085-1
 FORD PN 2S65-14A459-AB
 SCALE 2:1

TYCO PN 1380085-2
 FORD PN 2S65-14A459-BB
 SCALE 2:1

- 1 -OS ITENS DEVERÃO SER FORNECIDOS COMO MOSTRADO. 1 -ITEMS MUST BE SUPPLIED AS SHOWN.
- 2 -DEVE ESTAR CONFORME A ELECTRICAL CONNECTION SYSTEM DESIGN SPECIFICATION (SDS) REV.6 2 -PART MUST CONFORM TO THE ELECTRICAL CONNECTION SYSTEM DESIGN SPECIFICATION (SDS) REV.6
- 3 -DEVE ESTAR CONFORME A USCAR PERFORMANCE STANDARD FOR AUTOMOTIVE ELECTRICAL CONNECTION SYSTEM REV.2 3 -PART MUST CONFORM TO USCAR PERFORMANCE STANDARD FOR AUTOMOTIVE ELECTRICAL CONNECTION SYSTEM REV.2.



PERSPECTIVE VIEW
 SCALE 2:1

CAD
 DO NOT REVISE
 EXCEPT BY CAD

REQ PER ASSY	ITEM	DESCRIPTION	MATERIAL	FINISH
	3	SPACER IPOSN. .250 FASTIN ON TAB	PBT + 33% FV/GF	VERMELHO/RED
	2	HOUSING IPOSN. .250 FASTIN ON TAB	PBT + 10% FV/GF	PRETO / BLACK
	1	HOUSING IPOSN. .250 FASTIN ON TAB	PBT + 10% FV/GF	NATURAL
	-2-1			
1380085				

THIS DRAWING IS A CONTROLLED DOCUMENT FOR TYCO ELECTRONICS CORPORATION. IT IS SUBJECT TO CHANGE AND THE CONTROLLING ENGINEERING ORGANIZATION SHOULD BE CONTACTED FOR THE LATEST REVISION.		DWN P.L.FARIA 22AUG00	TYCO ELECTRONICS do Brasil LTDA. São Paulo, Brasil
DIMENSIONS: mm		CHK M.L.OGAWA 22AUG00	
TOLERANCES UNLESS OTHERWISE SPECIFIED: 0 PLC ± 1 PLC ±0.3 2 PLC ± 3 PLC ± 4 PLC ± ANGLES ± FINISH		APVD J.A.MARSON 22AUG00	
MATERIAL SEE TABLE		PRODUCT SPEC APPLICATION SPEC WEIGHT CUSTOMER DRAWING	
NAME HOUSING ASSY, IPOSN .250 FASTIN ON TAB		SIZE A2	RESTRICTED TO
SCALE 4:1		CAGE CODE 00779	DRAWING NO C-1380085
SHEET 1		REV C2	

1380085