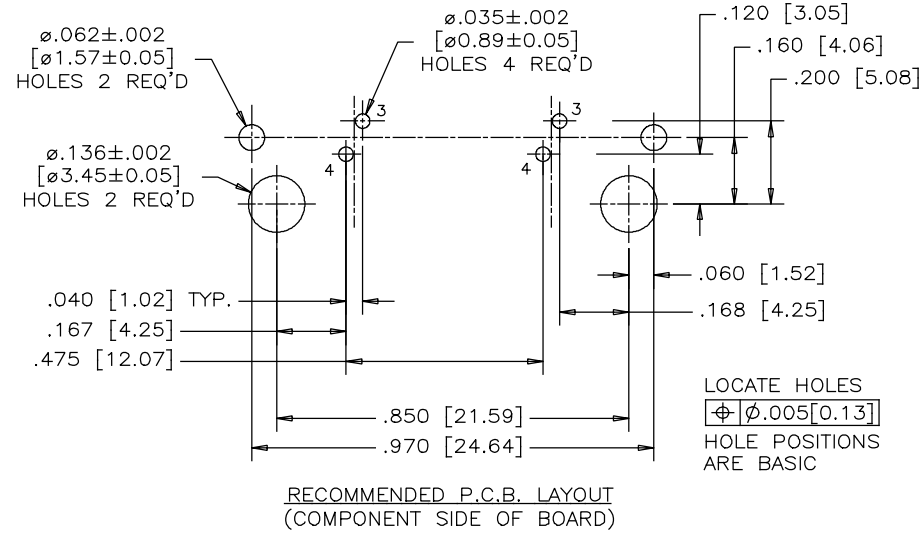
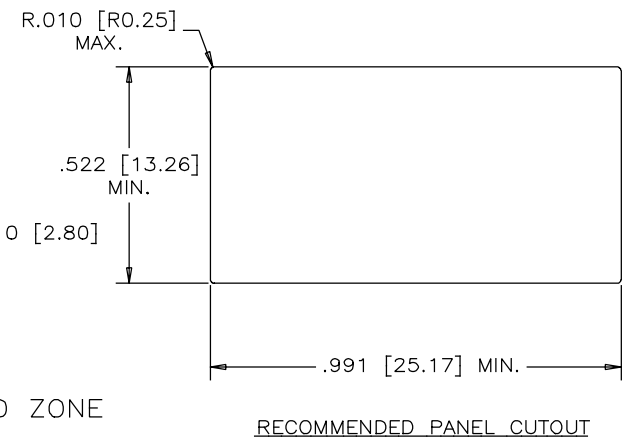
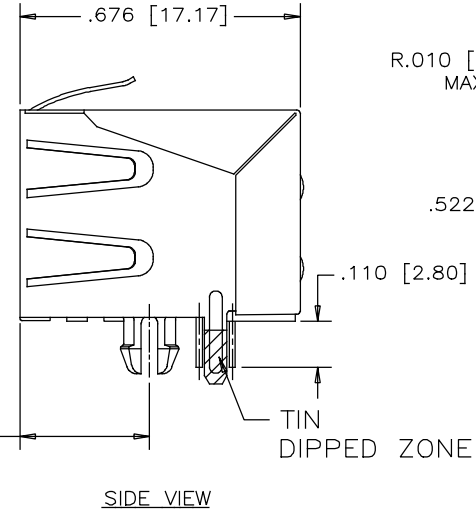
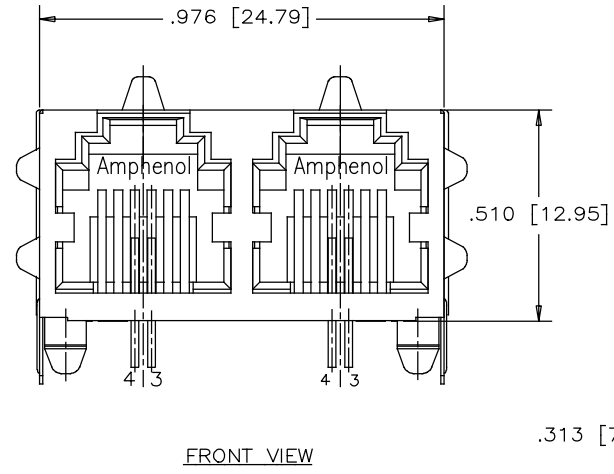


REVISIONS			
REV	DESCRIPTION, ECN, EAR NO.	DATE	APP'D
A	PROPOSAL	NOV10/08	L.CHAN
B	CORRECT SHIELD TABS	APR30/15	L.CHAN



ELECTRICAL

- VOLTAGE RATING: 125 VAC RMS MAX.
- CURRENT RATING: 1.5 AMPS MAX.
- CONTACT RESISTANCE: 30 MILLIOHMS MAX.
- INSULATION RESISTANCE: 500 MEGAOHMS MIN.
- DWV: 1000VAC RMS 60 HZ , 1 MIN.

MECHANICAL

- MATING DURABILITY: 500 CYCLES MIN.
- PCB THICKNESS: .062"
- PCB RETENTION PRE-SOLDER: 1.0 LB MIN.
- PCB RETENTION POST-SOLDER: 10.0 LB MIN.

ENVIRONMENTAL

- STORAGE: -25 °C TO 80°C
- OPERATION: 0°C TO 70°C

REGULATORY

- UL AND CSA COMPLIANT.
- MEETS FCC PART 68 REQUIREMENTS

MATERIALS:

- PLASTIC HOUSING: HIGH TEMPERATURE RESISTANT NYLON
UL FLAMMABILITY 94V-0.
SOLDER REFLOW PROCESS COMPATIBLE.
- CONTACT: PHOSPHOR BRONZE,
- CONTACT PLATING: 50 MICROINCHES [1.27 MICRONS] MINIMUM NICKEL.
50 MICROINCHES [1.27 MICRONS] MINIMUM GOLD ON MATING SURFACES.
100 MICROINCHES [2.54 MICRONS] MINIMUM MATTE TIN ON CONTACT TAILS.
- SHIELD: COPPER ALLOY, NICKEL PLATED WITH TIN DIPPED PCB TAILS



AMPHENOL PART NUMBER: RJE01-622-02

UNLESS SPECIFIED OTHERWISE	DRAWN Jack Wang	DATE NOV10/08
PRIMARY UNITS INCH	CHECKED Chigow Xu	NOV10/08
SECONDARY MILLIMETER	M.E. APP'D	
REFERENCE IN PARENTHESES	Q.A. APP'D	
GENERAL TOLERANCES	DWG APPR.	
1 DECIMAL PLACE ±0.025	ENG. REL. NO.	
2 DECIMAL PLACES ±0.020	REF. EAR. A061104	
3 DECIMAL PLACES ±0.015	THIRD ANGLE PROJECTION	DO NOT SCALE DRAWING
ANGULAR DEGREES ±1.0°		

Amphenol Canada Corp. www.amphenolcanada.com	
TITLE HIGH SPEED MODULAR JACK 2 PORTS, 6 POSITIONS, 2 CONTACTS, WITH SHIELD - RoHS COMPLIANT	
DWG. NO. P-RJE01-622-02	REV B
CODE ID NO. 03554	DWG SIZE: C SCALE: N/A SHEET 1 OF 1