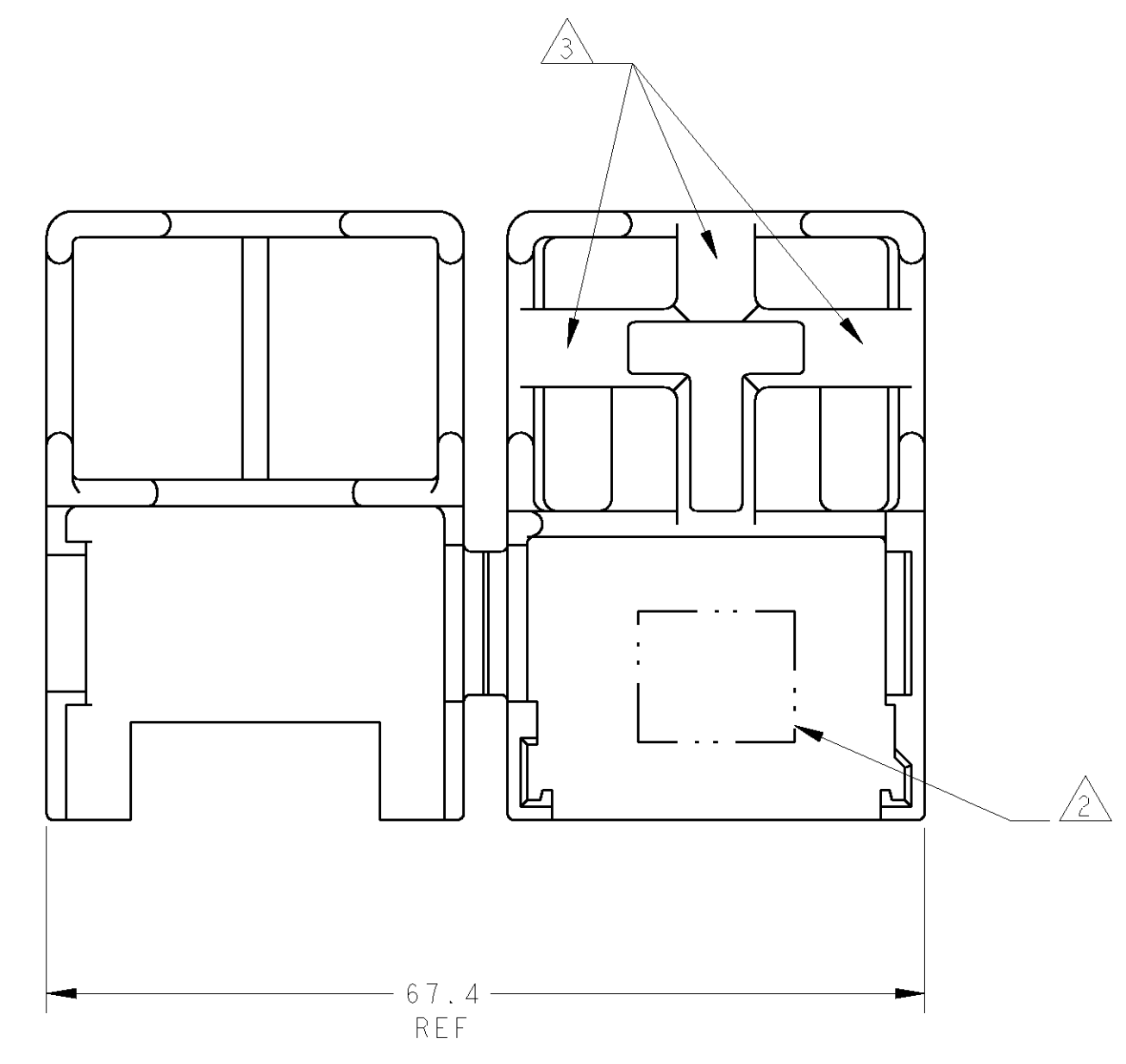
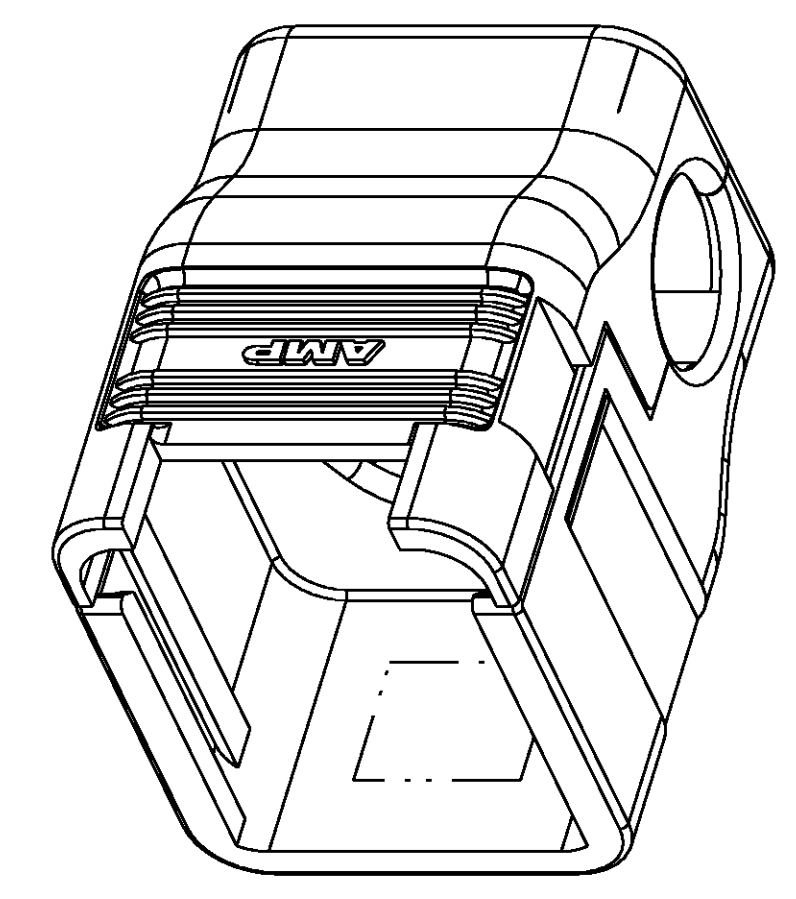
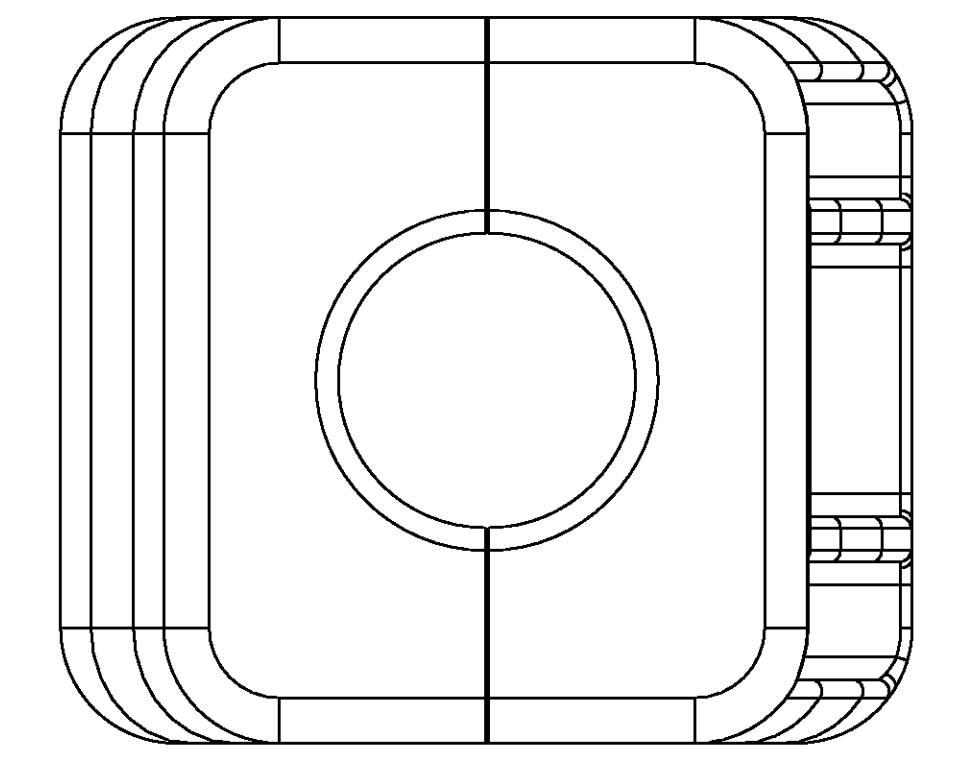


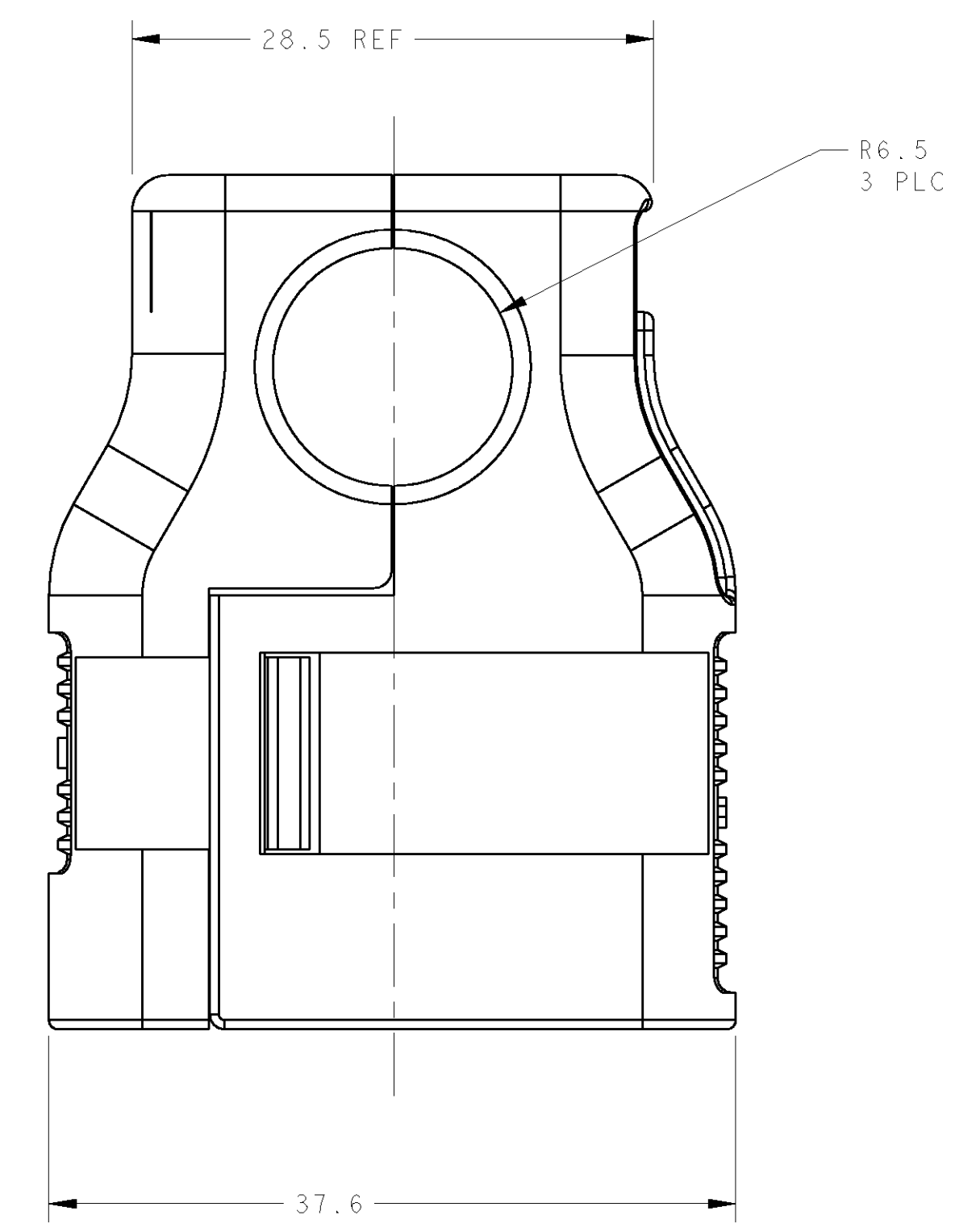
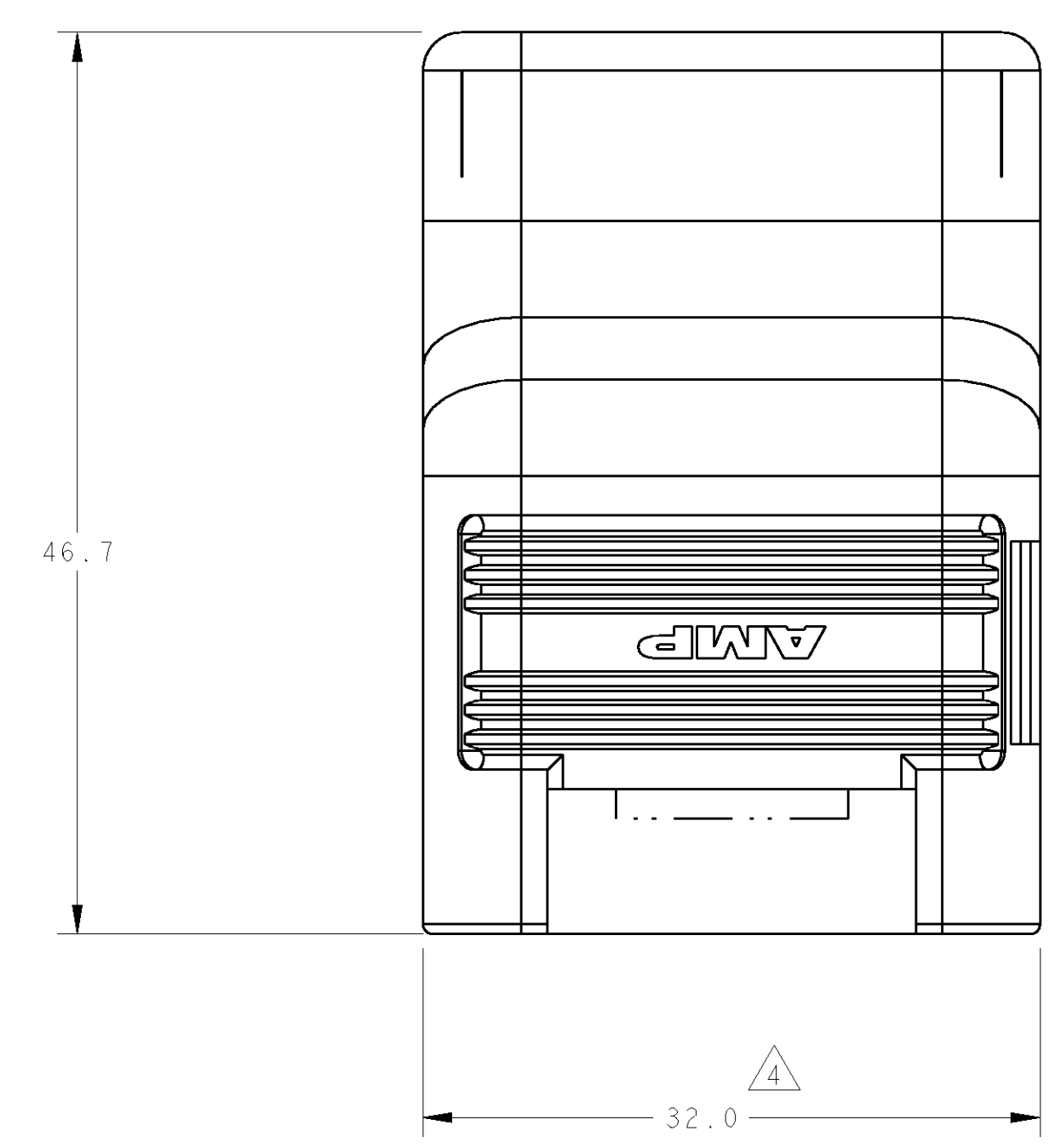
LOC		DIST		REVISIONS			
P	LTR	DESCRIPTION	DATE	DWN	APVD		
0		REL PER NPR# 00-65	18DEC00	FK	AE		



67.4 REF
 SHOWN OPEN (AS DELIVERED)
 SCALE 2:1



SCALE 2:1



- 1 POLYPROPYLENE, BLACK, 25% MAX REGRIND.
- 2 DATE CODE LOCATED IN APPROXIMATE LOCATION SHOWN.
- 3 WIRE TIES SHOULD BE USED IN THIS AREA TO CONSTRAIN BUNDLE TO STRAIN RELIEF. LOCATION OF TIE DEPENDANT UPON CABLE DRESS.
- 4 DIMENSION APPLIES WHEN ATTACHED TO AMP PLUG PN 1326018.
- 5. THIS STRAIN RELIEF TO BE USED WITH TYCO PART NUMBER 1326018.

<small>THE INFORMATION CONTAINED HEREIN IS UNCLASSIFIED EXCEPT WHERE SHOWN OTHERWISE. IT IS THE POLICY OF TYCO ELECTRONICS CORPORATION TO MAKE THIS INFORMATION AVAILABLE TO THE GENERAL PUBLIC. IF YOU HAVE ANY QUESTIONS, CONTACT US AT 717-638-9411.</small>		DWN F. KINSEY 18DEC00 CHK A. EBRAHEEM 18DEC00 APVD A. EBRAHEEM 18DEC00	AMP Tyco Electronics Harrisburg, PA 17105-3608
DIMENSIONS: mm 		TOLERANCES UNLESS OTHERWISE SPECIFIED: 0 PLC ± 1 PLC ±0.6 2 PLC ± 3 PLC ± 4 PLC ± ANGLES ±	NAME STRAIN RELIEF, MULTIPLE OUT AMP 0.64mm SYSTEM PRODUCT SPEC - APPLICATION SPEC - SIZE CAGE CODE DRAWING NO. RESTRICTED TO WEIGHT 11.35 g A 00779 C=638941 CUSTOMER DRAWING SCALE 3:1 SHEET 1 OF 1 REV 0