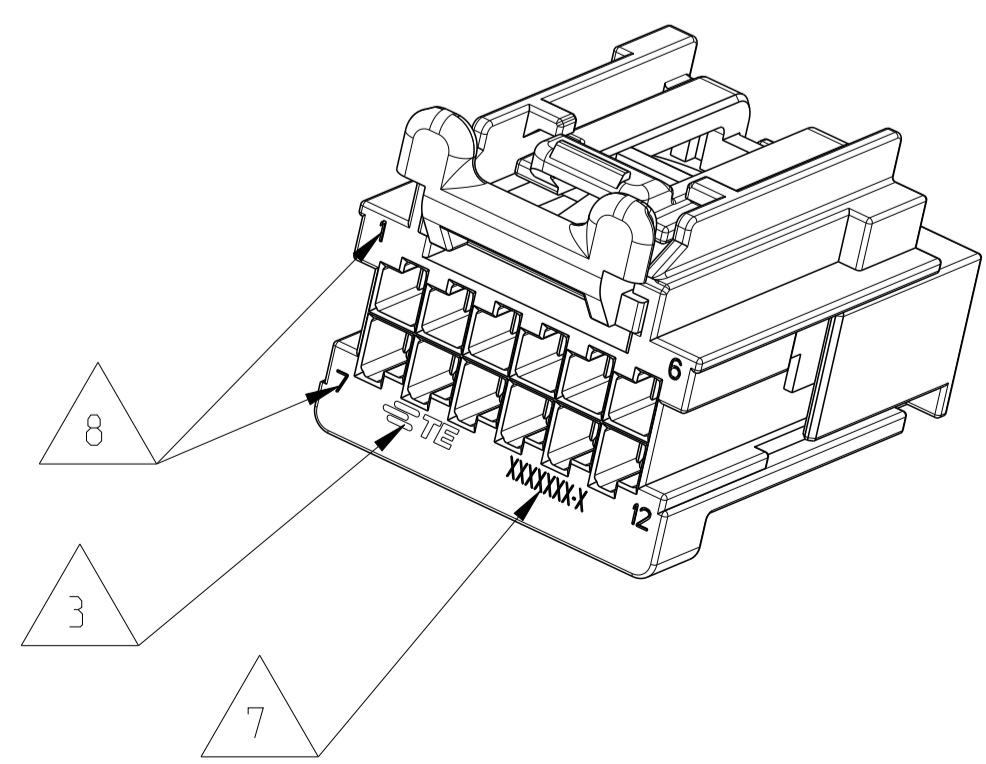
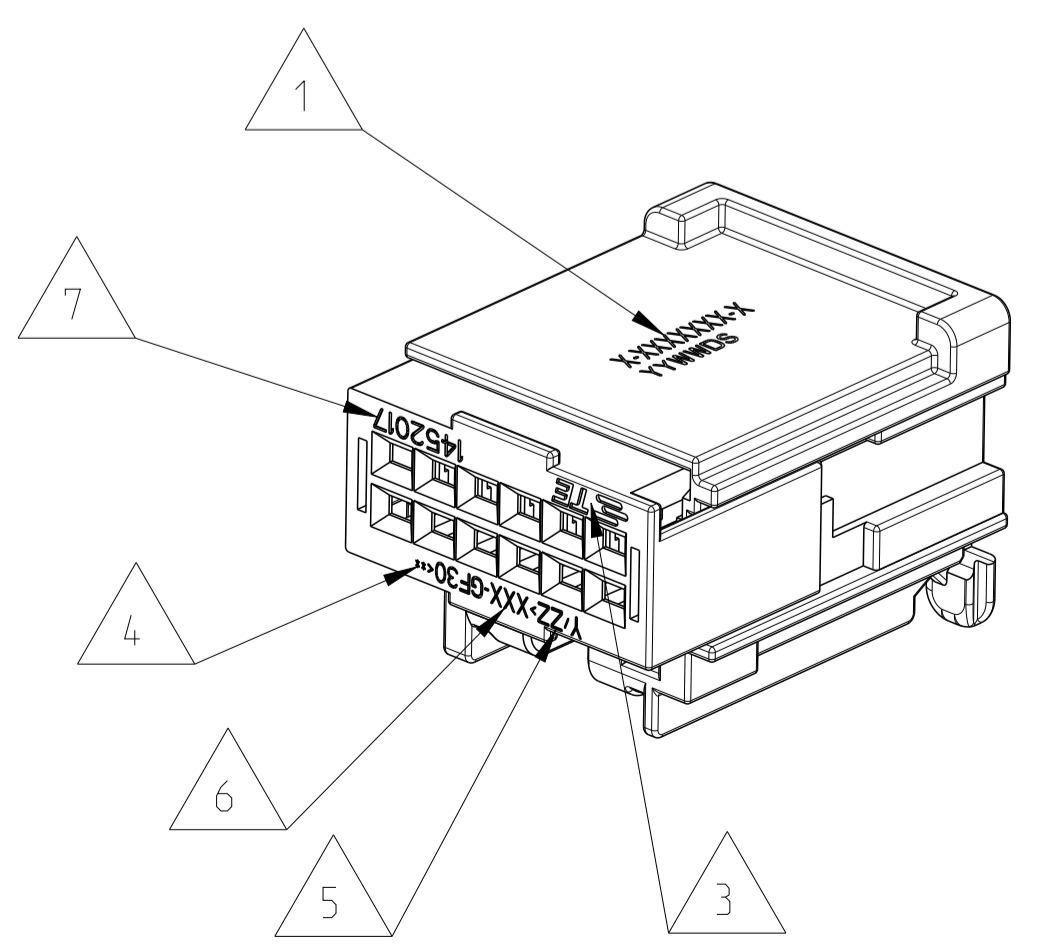
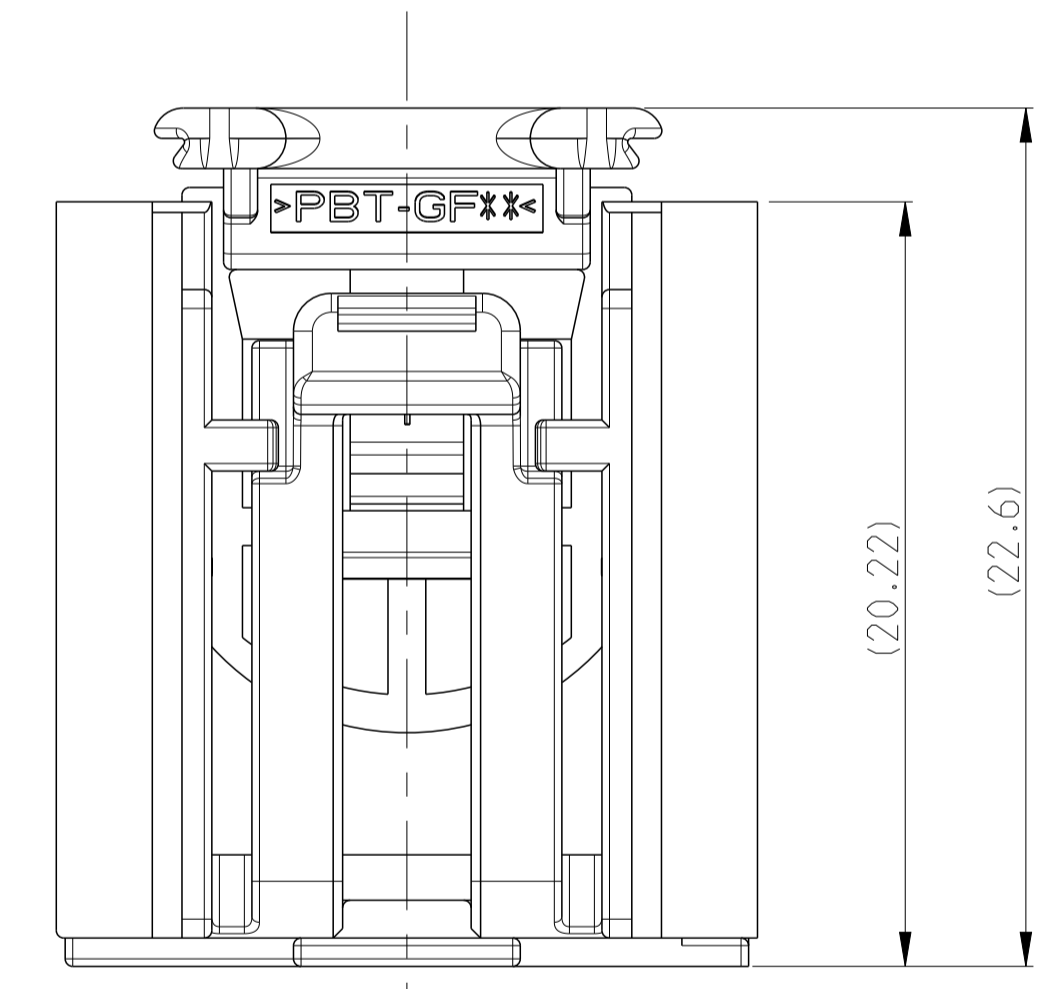
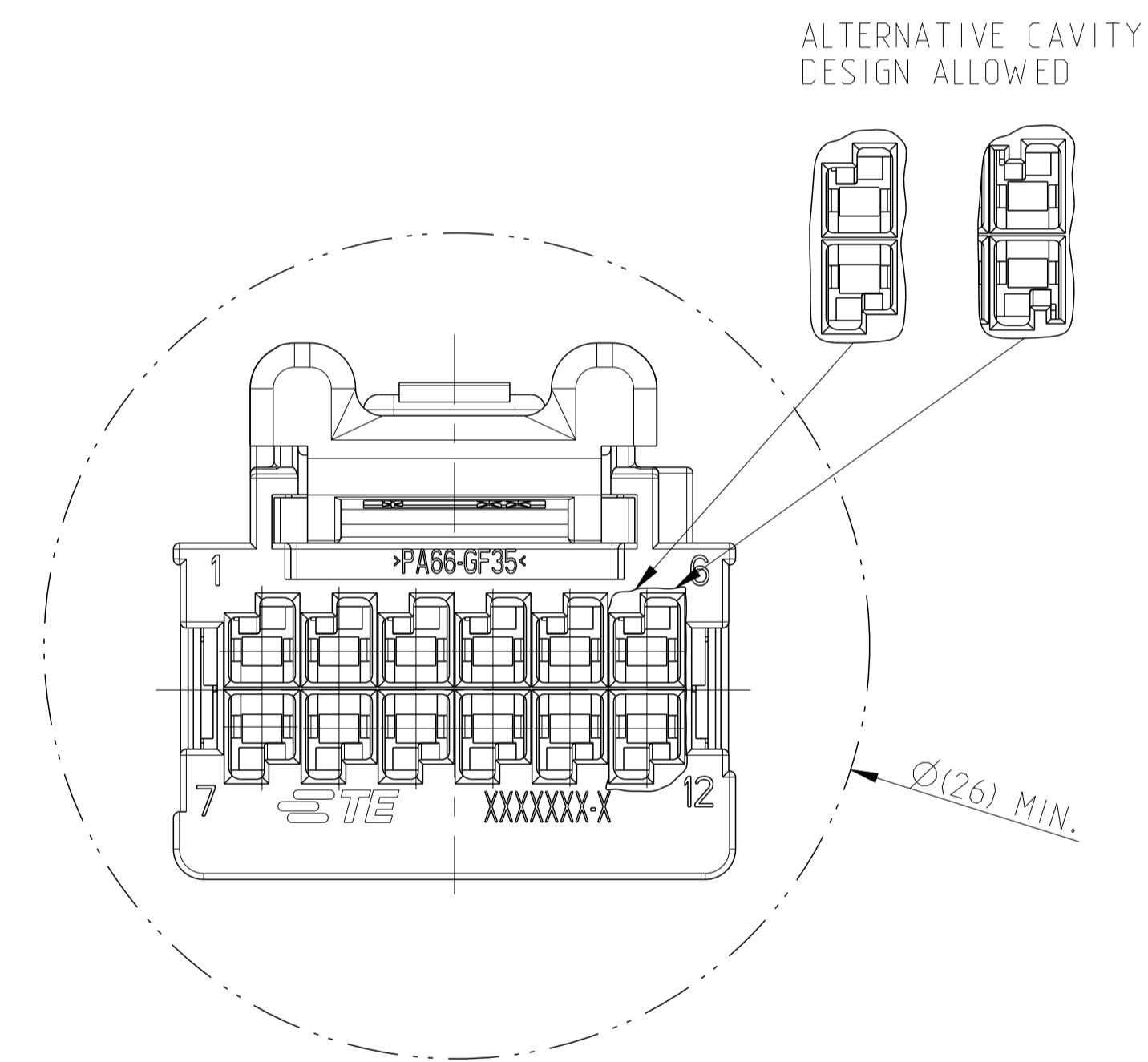
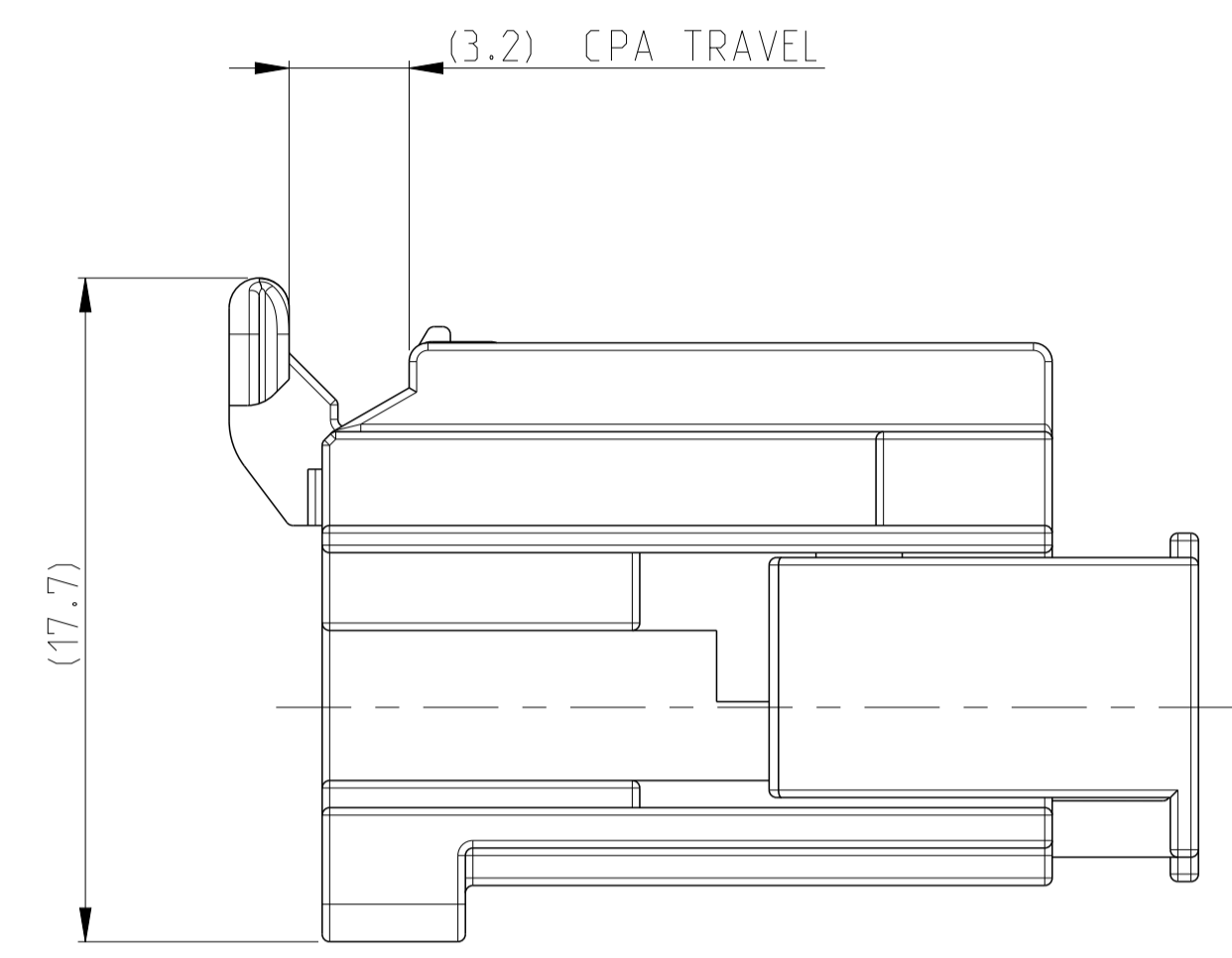
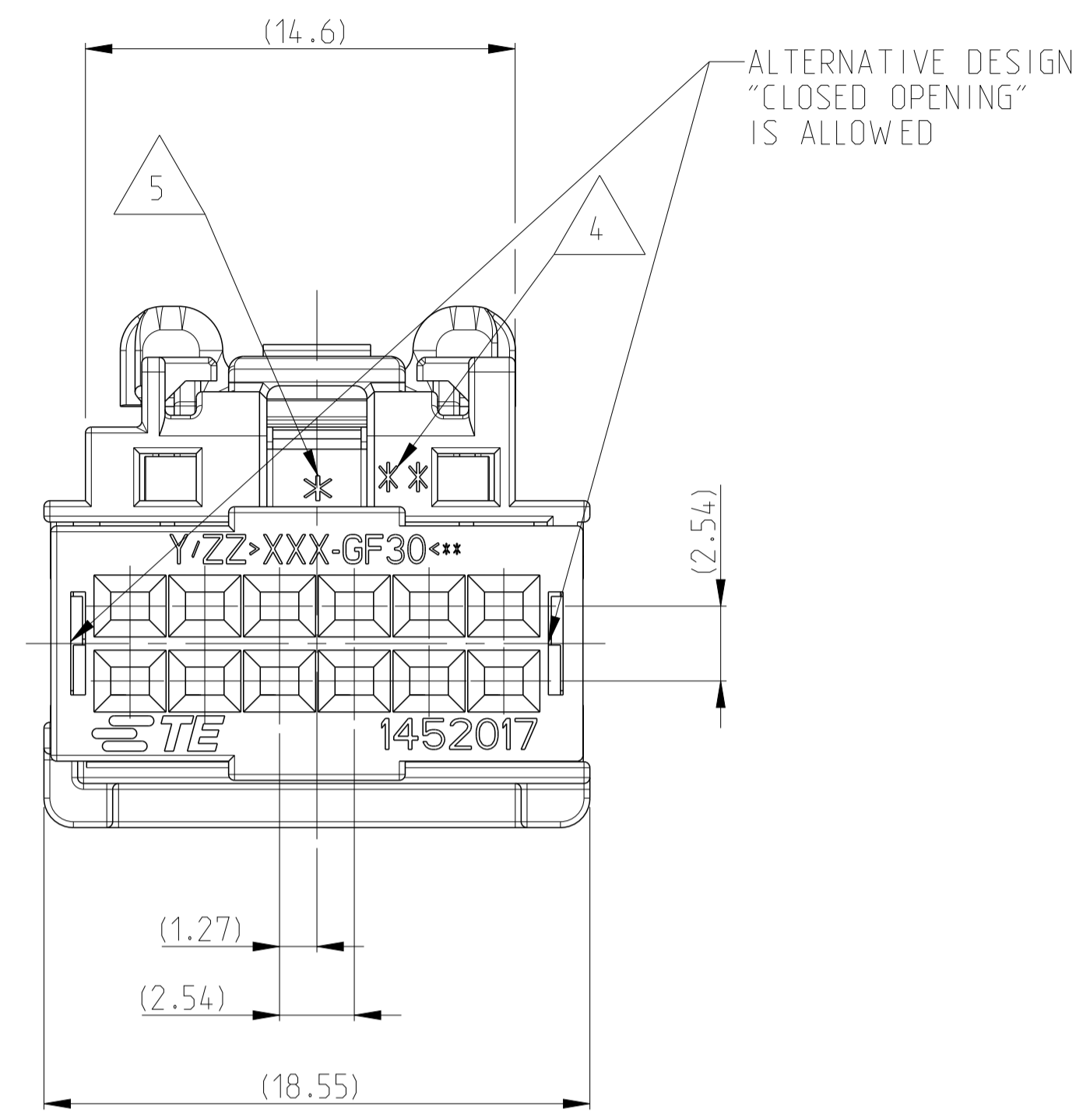
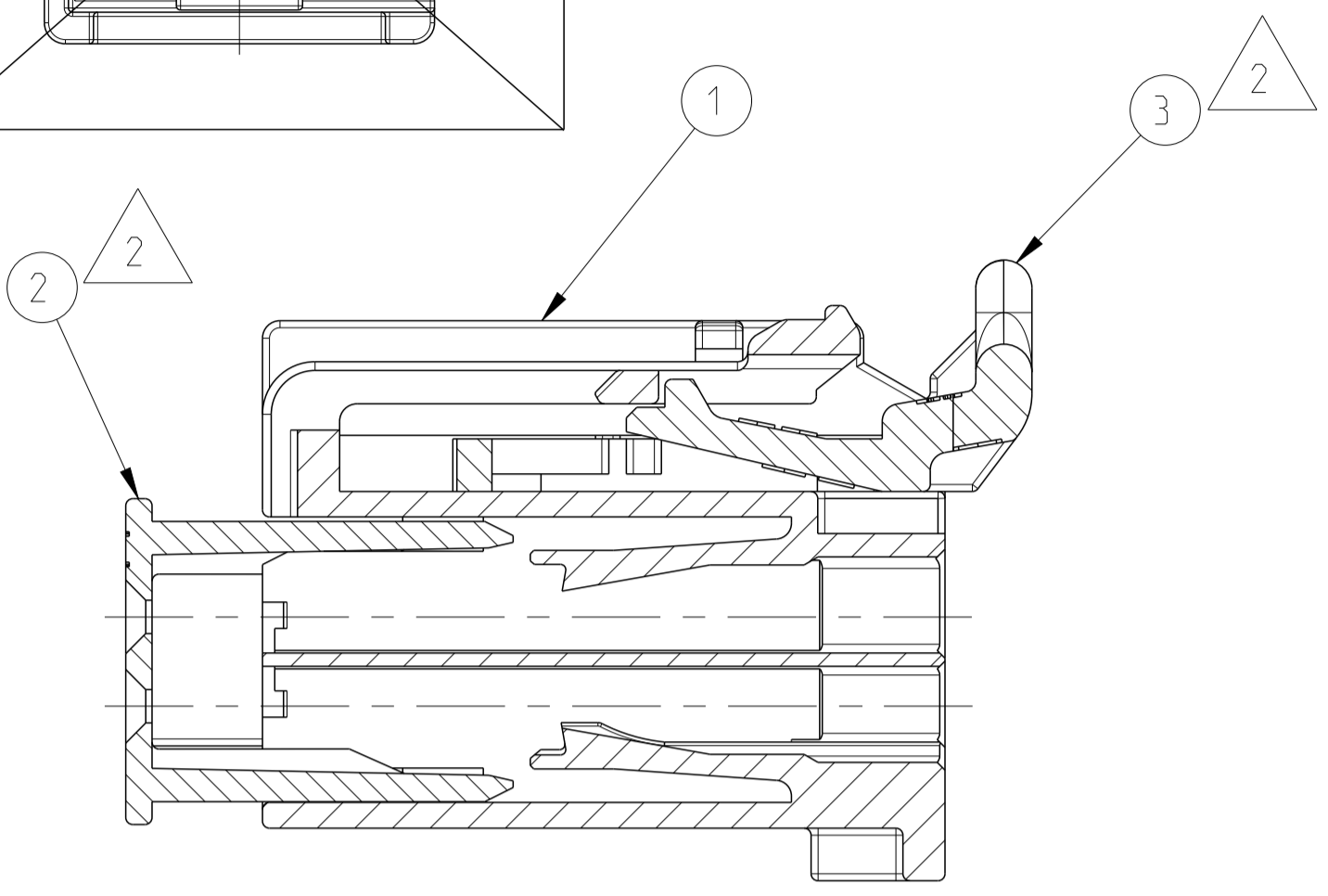
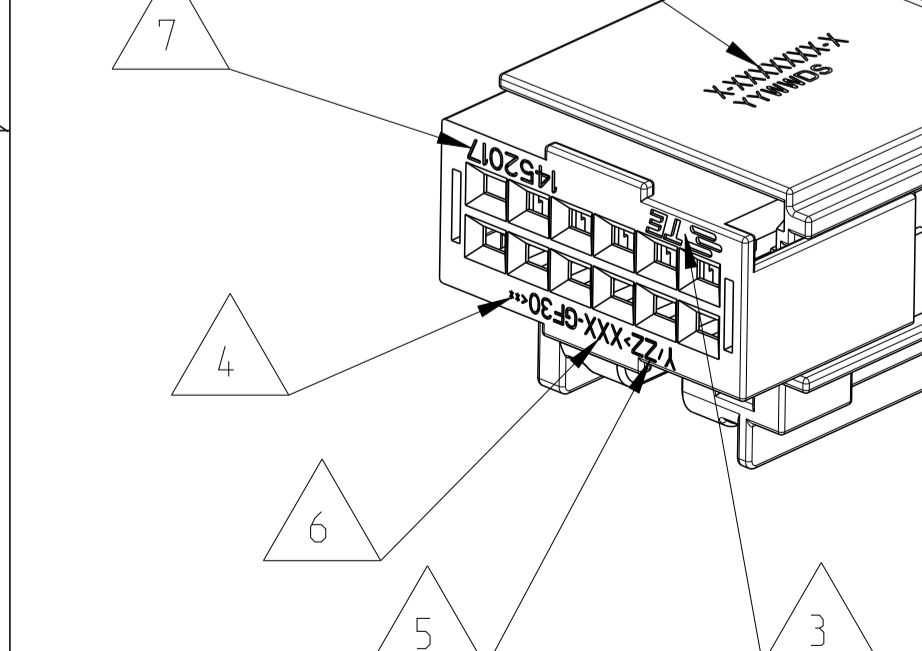
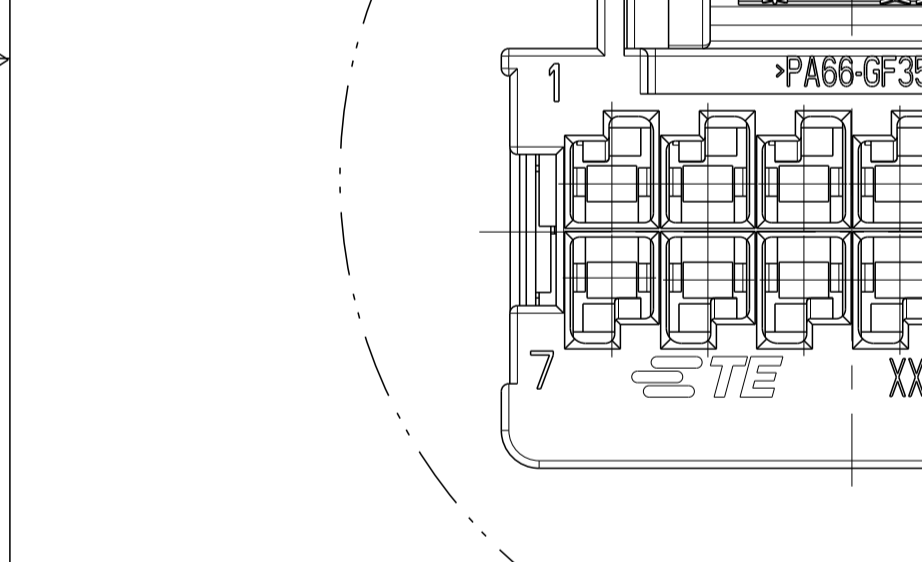
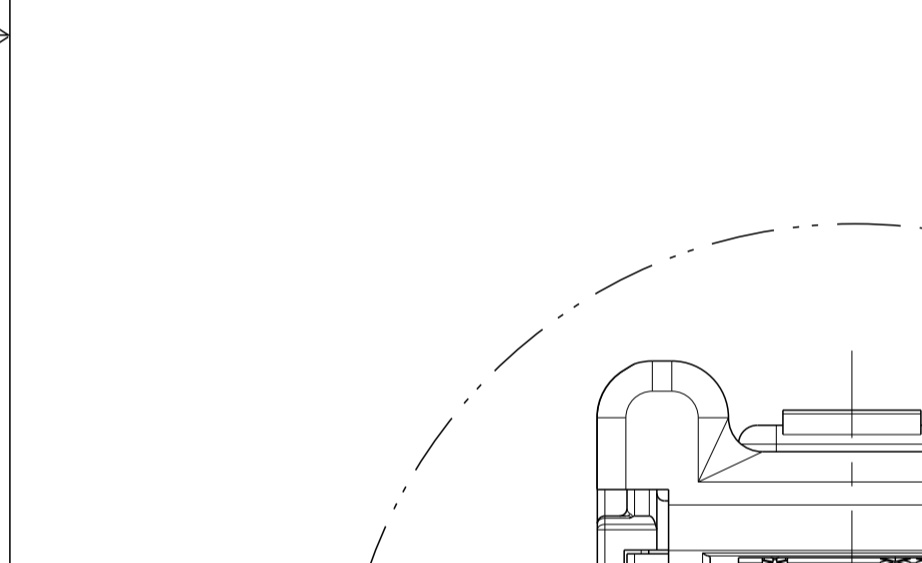
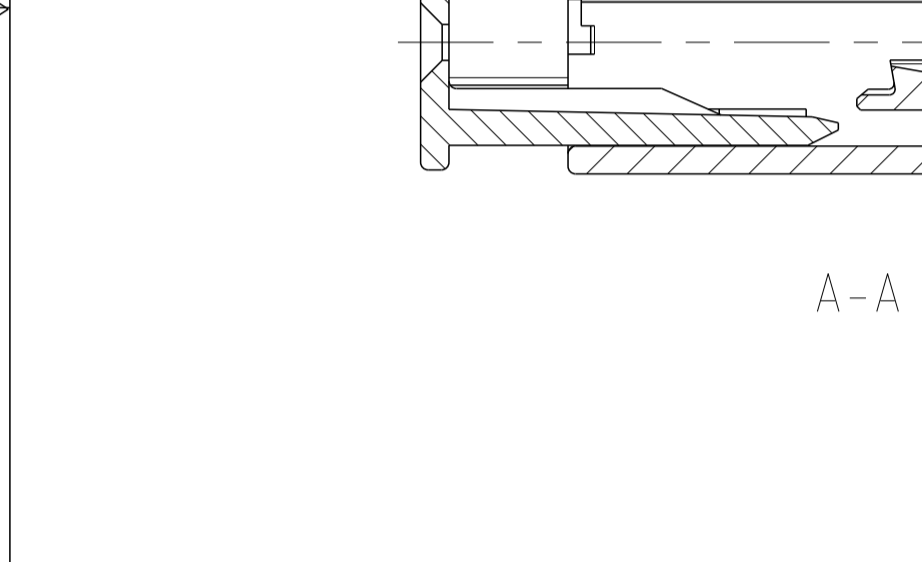
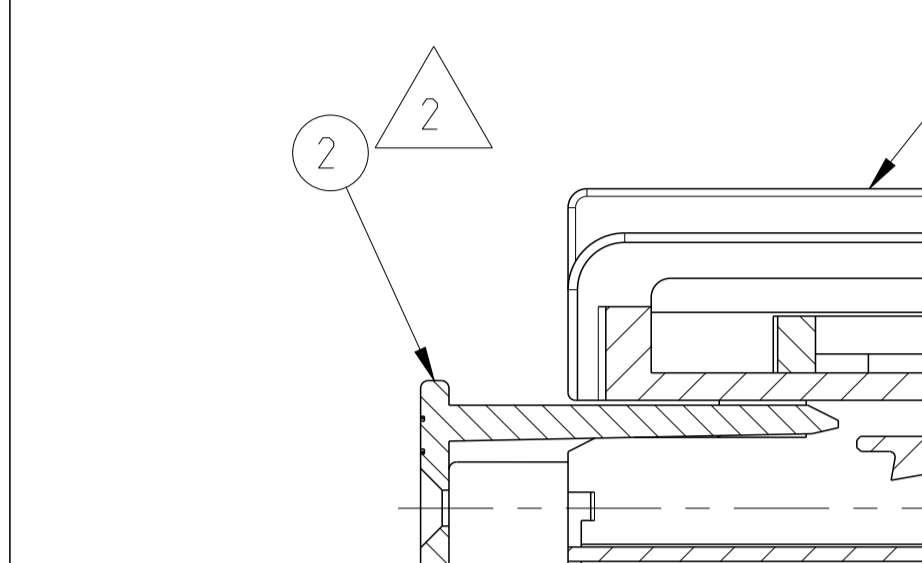
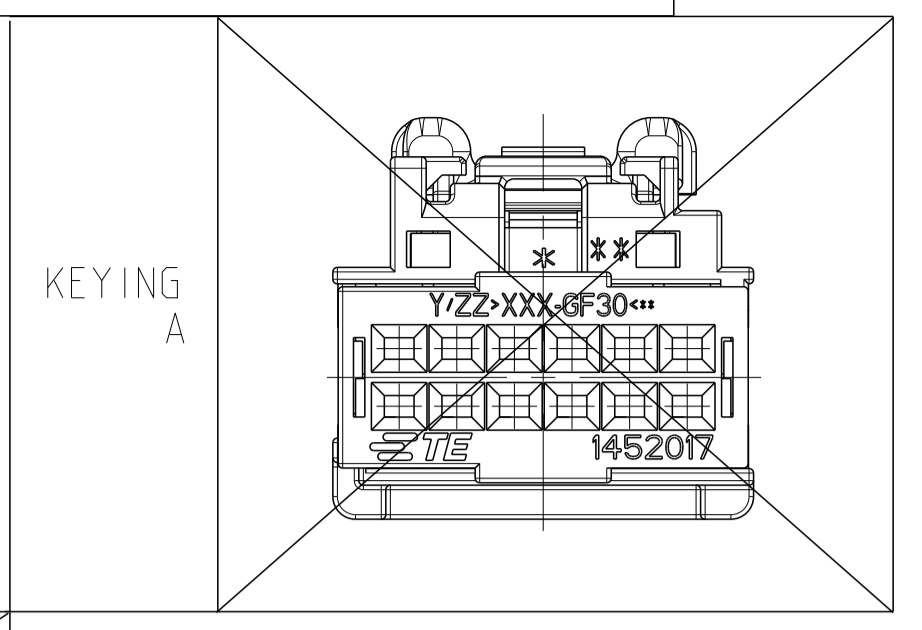
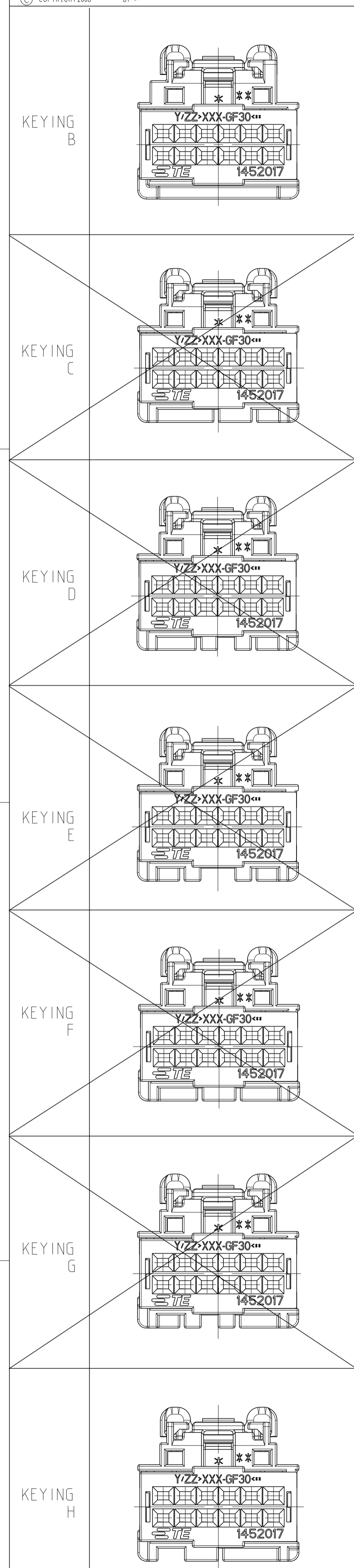


REVISIONS					
P.	LTN	DESCRIPTION	DATE	DMN	APVD
G2		SEE ECR-13-018050	19NOV2013	MS	GS
G3		ECR-14-009941	02JUL2014	SS	GS



- NOTES
Bemerkungen
- 1 TE-ORDER NUMBER AND TRACEABILITY
 - 2 SPACER AND CPA (OPTIONAL) ARE SHIPPED IN PRE-ASSEMBLED POSITIONS
 - 3 COMPANY LOGO (OPTIONAL)
 - 4 PRODUCT REVISIONS LEVEL
 - 5 TOOL NUMBER (OPTIONAL), CAVITY NUMBER
 - 6 MATERIAL IDENTIFICATION
 - 7 PART NUMBER
 - 8 TERMINAL POSITION NUMBERS LOCATED AS SHOWN
 - 9 PACKAGING: LAYER PACKED IN CONUGATED BOXES
 - 10 1-1452015-2 IS SHOWN

TE-ORDER-NUMBER	KEYING OPTIONS								CPA	PBT-GF20	RED	3				
	H	G	F	E	D	C	B	A								
1-1452015-8																
0-1452015-8																
1-1452015-7																
0-1452015-7																
1-1452015-6																
0-1452015-6																
1-1452015-5																
0-1452015-5																
1-1452015-4																
0-1452015-4																
1-1452015-3																
0-1452015-3																
1-1452015-2																
0-1452015-2																
1-1452015-1																
0-1452015-1																
QUANTITY												DESCRIPTION		MATERIAL	COLOUR	ITEM
1	1	1	1	1	1	1	1	1	1	1	1	1	CPA	PBT-GF20	RED	3
1	1	1	1	1	1	1	1	1	1	1	1	1	SPACER	PBT-GF30	RED	2
1	1												FEMALE HOUSING KEY H	PA66-GF35	BLACK	1
		1	1										FEMALE HOUSING KEY G	PA66-GF35	BLACK	1
				1	1								FEMALE HOUSING KEY F	PA66-GF35	BLACK	1
					1	1							FEMALE HOUSING KEY E	PA66-GF35	BLACK	1
						1	1						FEMALE HOUSING KEY D	PA66-GF35	BLACK	1
							1	1					FEMALE HOUSING KEY C	PA66-GF35	BLACK	1
								1	1				FEMALE HOUSING KEY B	PA66-GF35	BLACK	1
										1	1		FEMALE HOUSING KEY A	PA66-GF35	BLACK	1

THIS DRAWING IS A CONTROLLED DOCUMENT. DMN: B.van Sebroeck, ZSEP2000, 23MAR2001. CHK: B.van Sebroeck.

DIMENSIONS: mm. TOLERANCES UNLESS OTHERWISE SPECIFIED: 0 PLC #, 1 PLC #, 2 PLC #, 3 PLC #, 4 PLC #, ANGLES #°.

MATERIAL: -. FINISH: -. WEIGHT: -. Customer Drawing.

NAME: GET SOCKET HOUSING, 2x6POS. GET Buchsenhaeuse, 2x6pos.

SIZE: A1. CAGE CODE: 00779. DRAWING NO: C=1452015. RESTRICTED TO: -. SCALE: 5:1. SHEET: 1 OF 1. REV: G3.