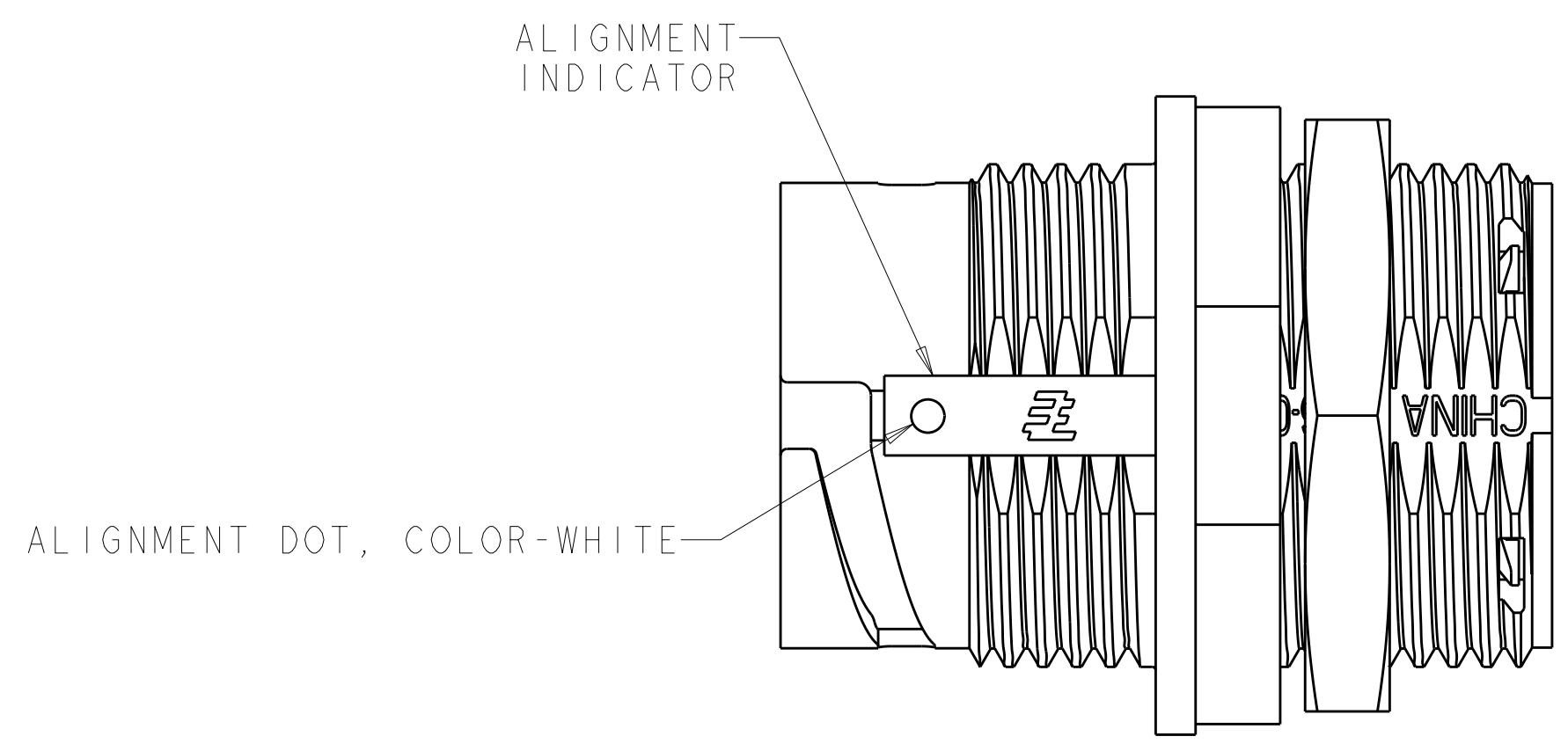
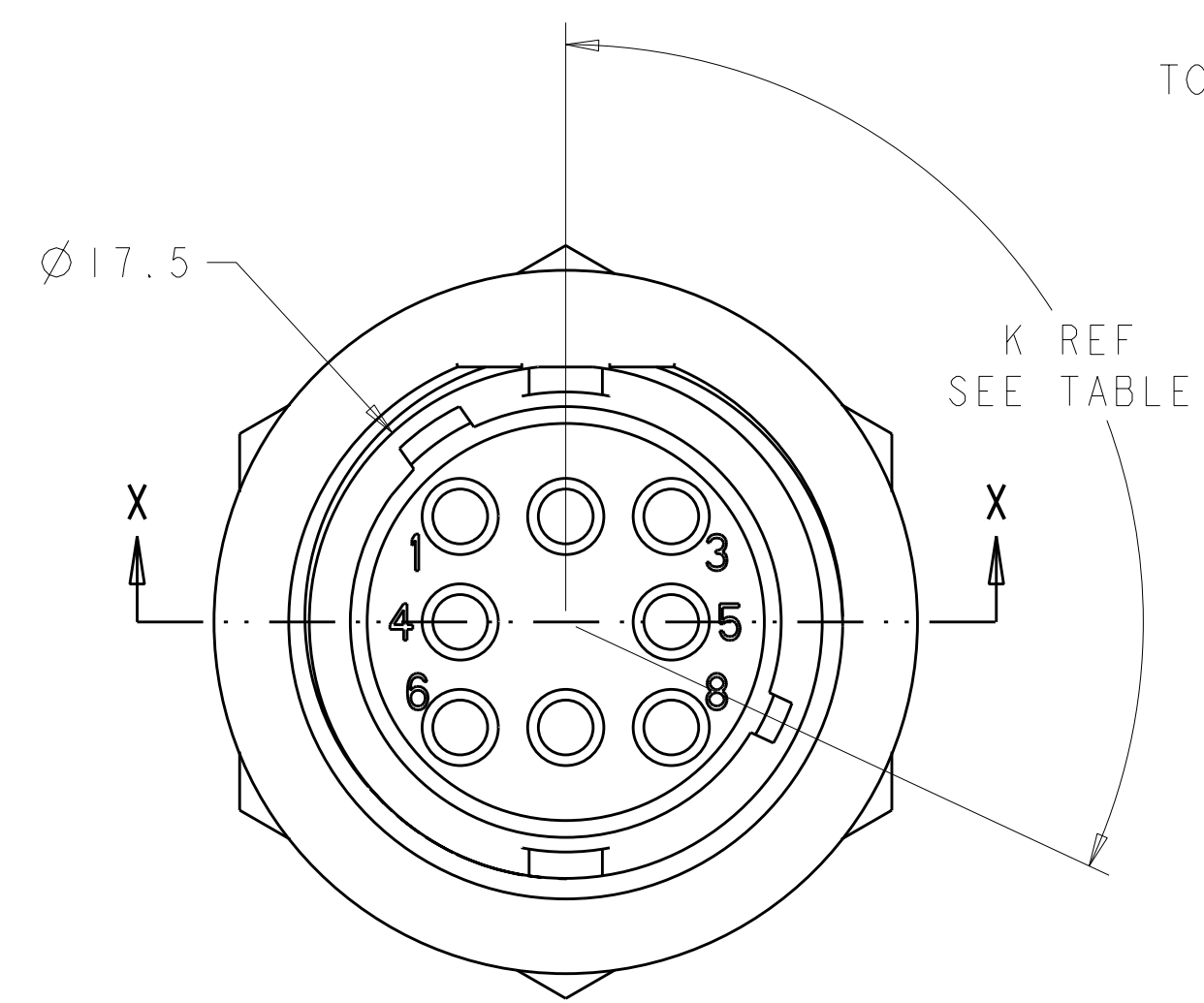


LOC	DIST	REVISIONS			
REV	DATE	DESCRIPTION	DATE	DWN	APVD
B1	22OCT2010	REVISED ECO-10-014504		HMR	MG

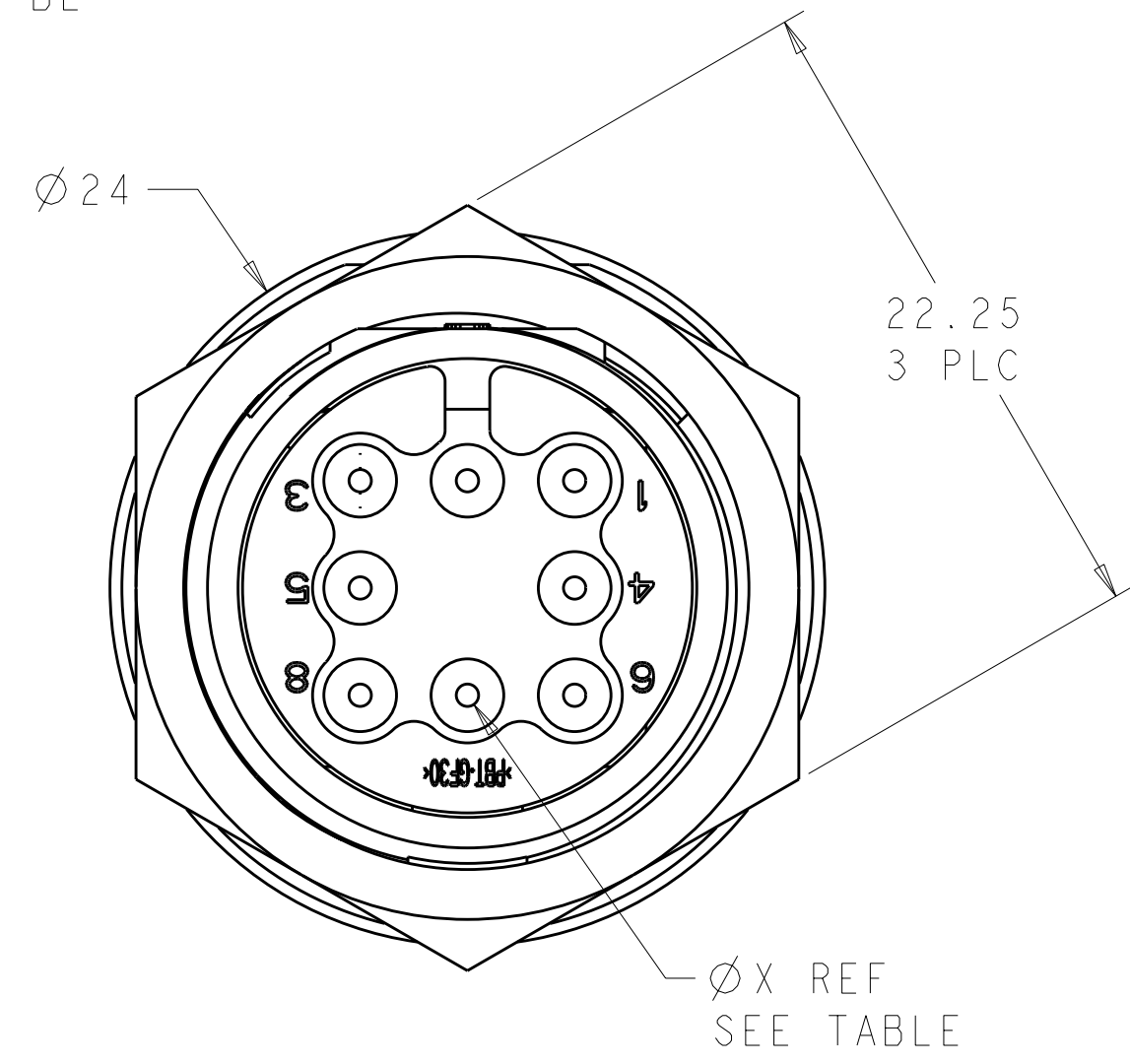
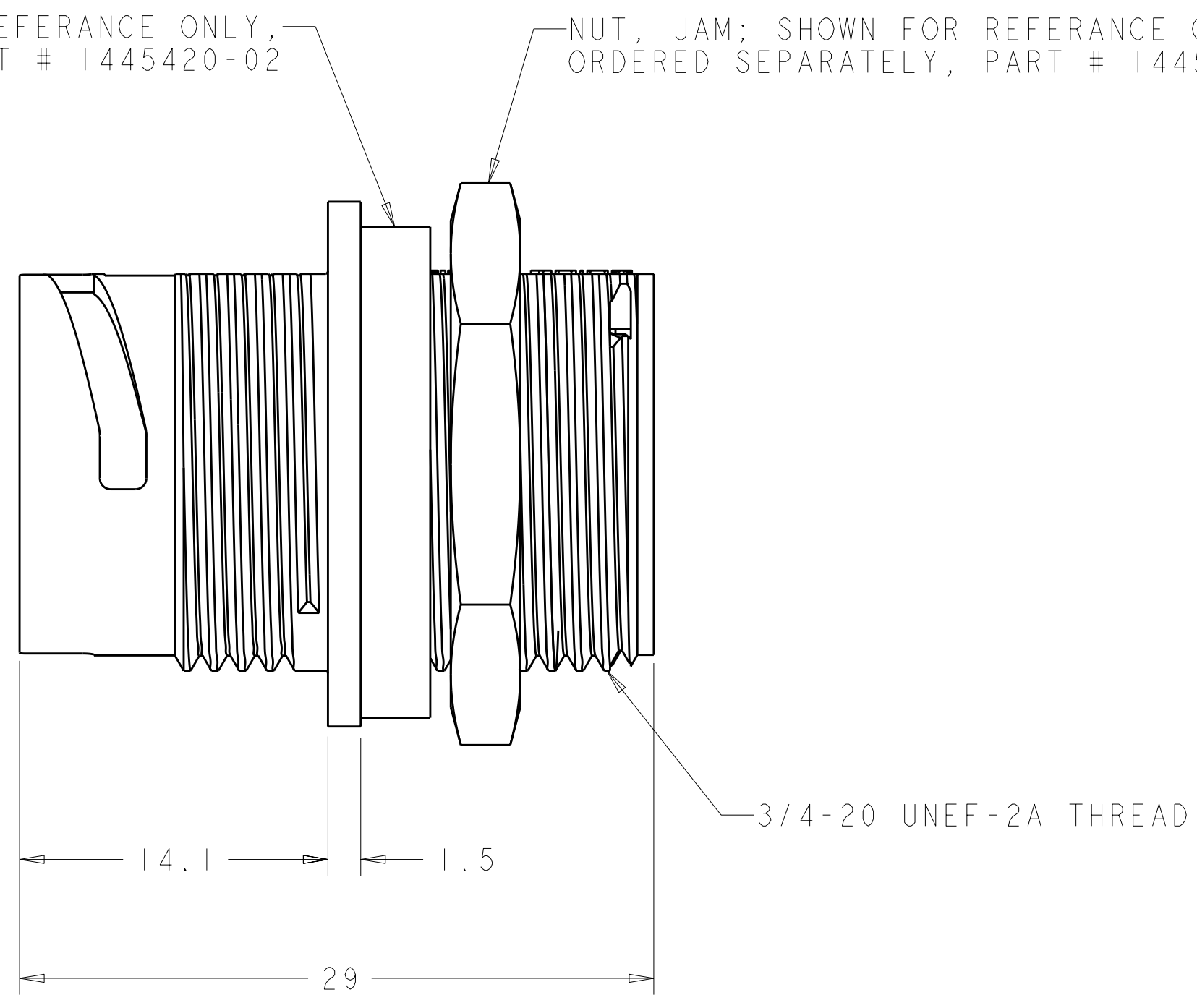


QUALIFICATION TEST PENDING

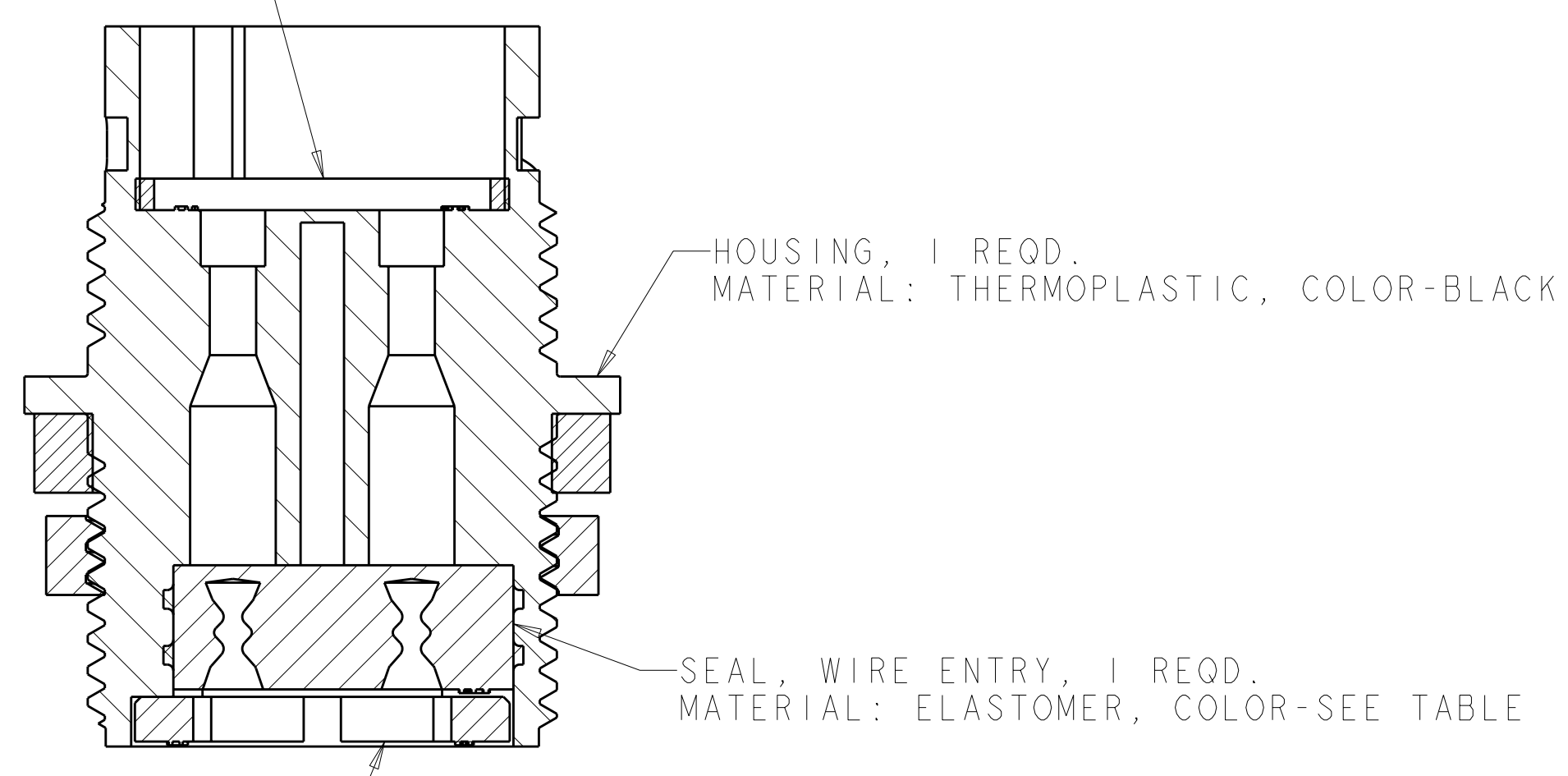


SEAL, PANEL, SHOWN FOR REFERENCE ONLY, TO BE ORDERED SEPARATELY, PART # 1445420-02

NUT, JAM; SHOWN FOR REFERENCE ONLY, TO BE ORDERED SEPARATELY, PART # 1445904-1



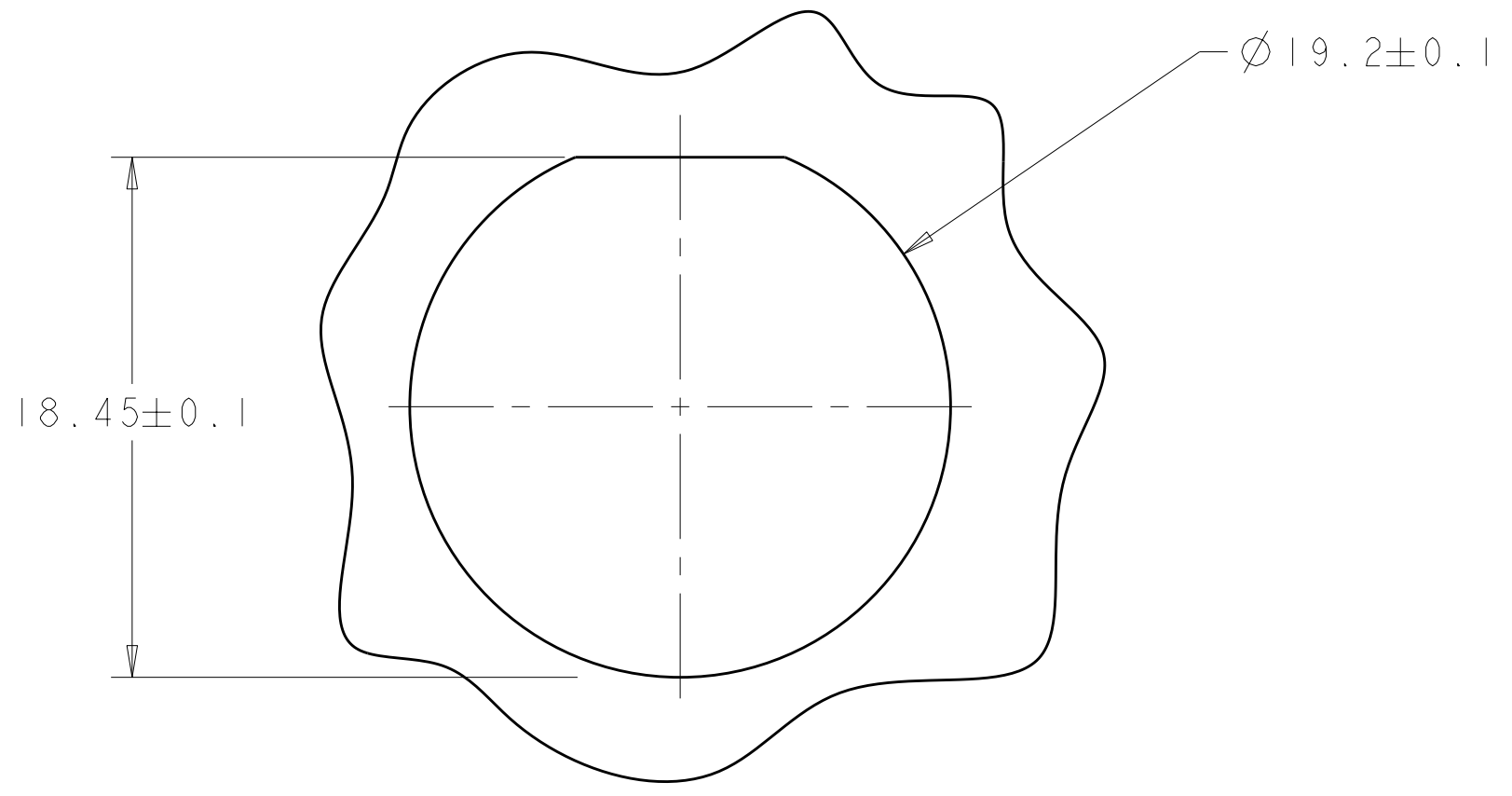
SEAL, PERIPHERAL, 1 REQD.
 MATERIAL: ELASTOMER, COLOR-GRAY



RETAINER, SEAL, 1 REQD.
 MATERIAL: THERMOPLASTIC, COLOR-BLACK

SECTION X-X

1. CONNECTOR CAN BE FRONT OR REAR PANEL MOUNTED.
 △ MAX PANEL THICKNESS - 3.18



SUGGESTED PANEL CUTOUT △

SEAL, WIRE ENTRY COLOR	Ø X REF	K REF	PART NUMBER
YELLOW	Ø 0.75	135°	1445821-04
NATURAL	Ø 1.5	115°	1445821-03
NATURAL	Ø 1.5	135°	1445821-02
YELLOW	Ø 0.75	115°	1445821-01

DIMENSIONS: mm 		TOLERANCES UNLESS OTHERWISE SPECIFIED: 0 PLC ± 1 PLC ±0.13 2 PLC ± 3 PLC ± 4 PLC ± ANGLES ±		DWN SHANE WUEST 12OCT2001 CHK G DOUTY 12OCT2001 APVD H WAKEEM 13JUN2003		Tyco Electronics Harrisburg, PA 17105-3608	
MATERIAL SEE CALLOUT		FINISH SEE CALLOUT		WEIGHT CUSTOMER DRAWING		NAME ASSEMBLY, RECEPTACLE, SIZE 11, 8 POSITION, PANEL MOUNT, SEALED, MINI CPC SIZE CAGE CODE DRAWING NO. RESTRICTED TO A11 00779 C=1445821	
				SCALE 4:1		SHEET 1 OF 1 REV B1	