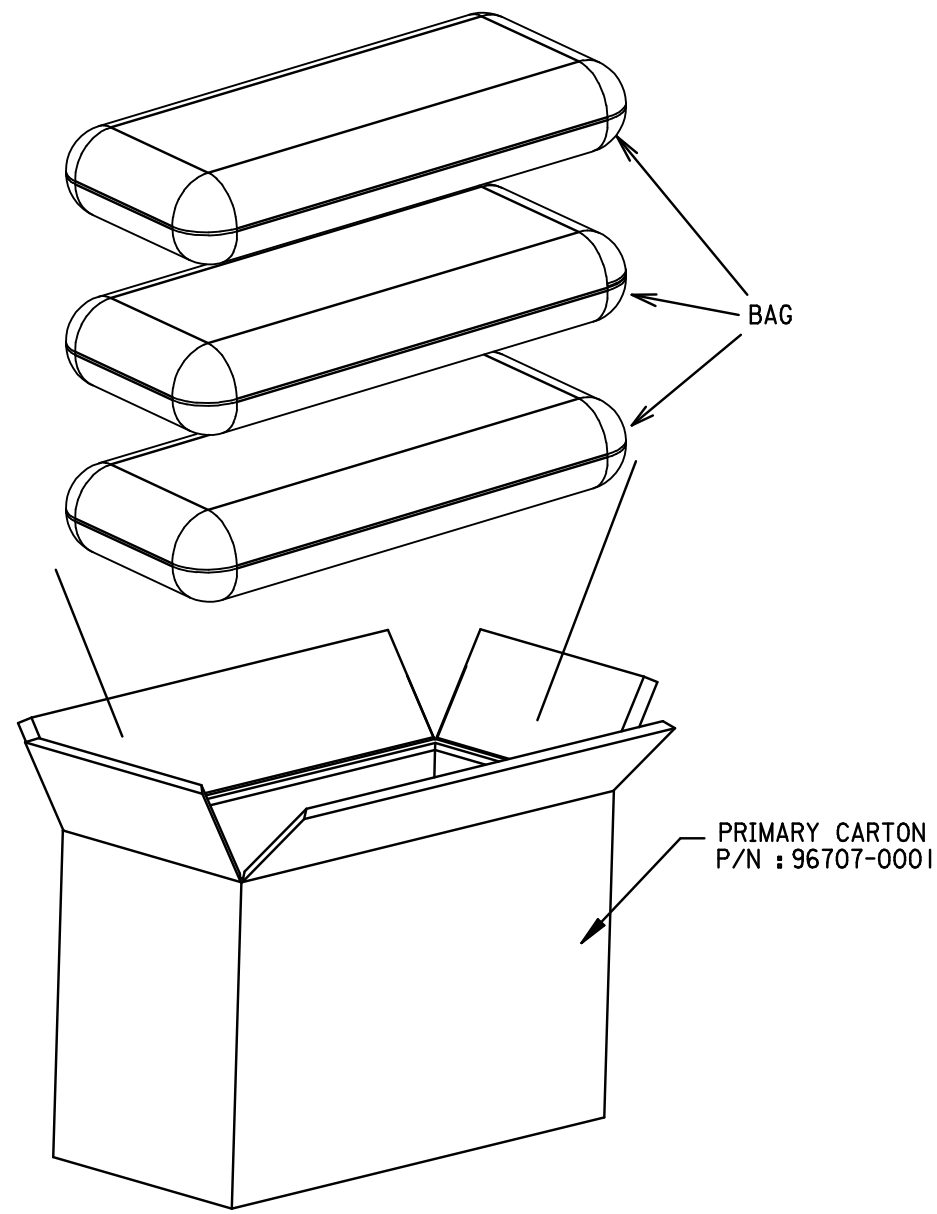
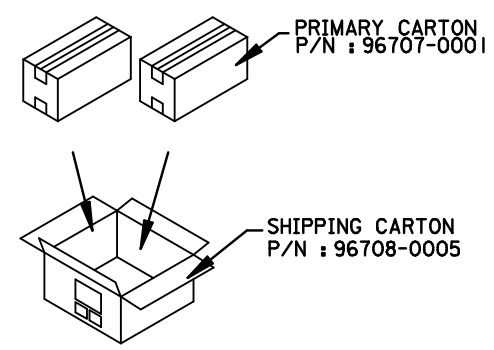


PRODUCT P/N	PARTS PER CARTON (S.P.Q)	PARTS PER BAG	TOTAL BAG PER CARTON
FOR 67491 SERIES	3000	1000	3
FOR 67582-0000	3500	500	7



- NOTES :
1. STAPLES SHOULD ONLY BE USED TO SET UP CARTON.  
ALL CARTON CLOSURES MUST BE DONE WITH TAPE.
  2. FILL PACKAGING BAGS WITH THE QUANTITIES AS INDICATED IN THE CHART
  3. A QUANTITY OF 3000 HOUSINGS PER PRIMARY CARTON  
A QUANTITY OF 6000 HOUSINGS PER SHIPPING CARTON  
SHIPPING CARTON P/N : 96708-0005



REVISED EC NO: SH2013-0284 DRWN:GLLI CHKD: APPR:AYIN 2013/04/08	QUALITY SYMBOLS	GENERAL TOLERANCES (UNLESS SPECIFIED)		DIMENSION STYLE MM ONLY		SCALE	DESIGN UNITS METRIC	THIRD ANGLE PROJECTION	
	$F_A=0$	4 PLACES	± ---	± ---	DRAWN BY	DATE	TITLE PACKING SPECIFICATION FOR SATA POWER CABLE RECEPTACLE		
	$F_C=0$	3 PLACES	± ---	± ---	GLLI	2013/03/14			
	$F_P=0$	2 PLACES	± ---	± ---	CHECKED BY	DATE	<b>molex</b> DOCUMENT NO. PK-67582-001 SHEET NO. 1 OF 1		
		1 PLACE	± ---	± ---	APPROVED BY	DATE			
	0 PLACE	± ---	± ---	AYIN	2013/04/08				
		ANGULAR ± 3 °		MATERIAL NO.		DOCUMENT NO.		SHEET NO.	
		DRAFT WHERE APPLICABLE MUST REMAIN WITHIN DIMENSIONS		SEE CHART		PK-67582-001		1 OF 1	
				SIZE A3		THIS DRAWING CONTAINS INFORMATION THAT IS PROPRIETARY TO MOLEX INCORPORATED AND SHOULD NOT BE USED WITHOUT WRITTEN PERMISSION			