

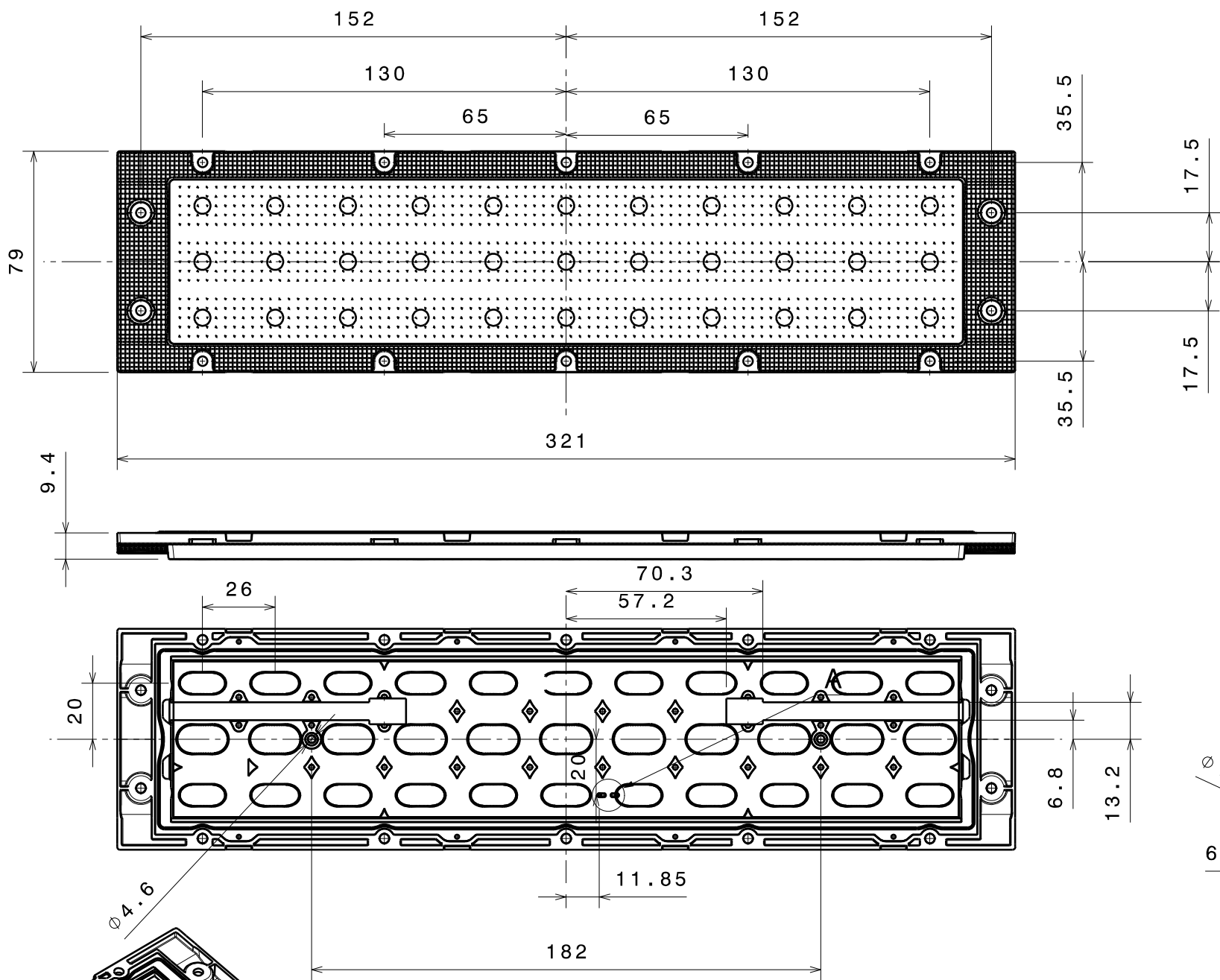
H G F E D C B A

4

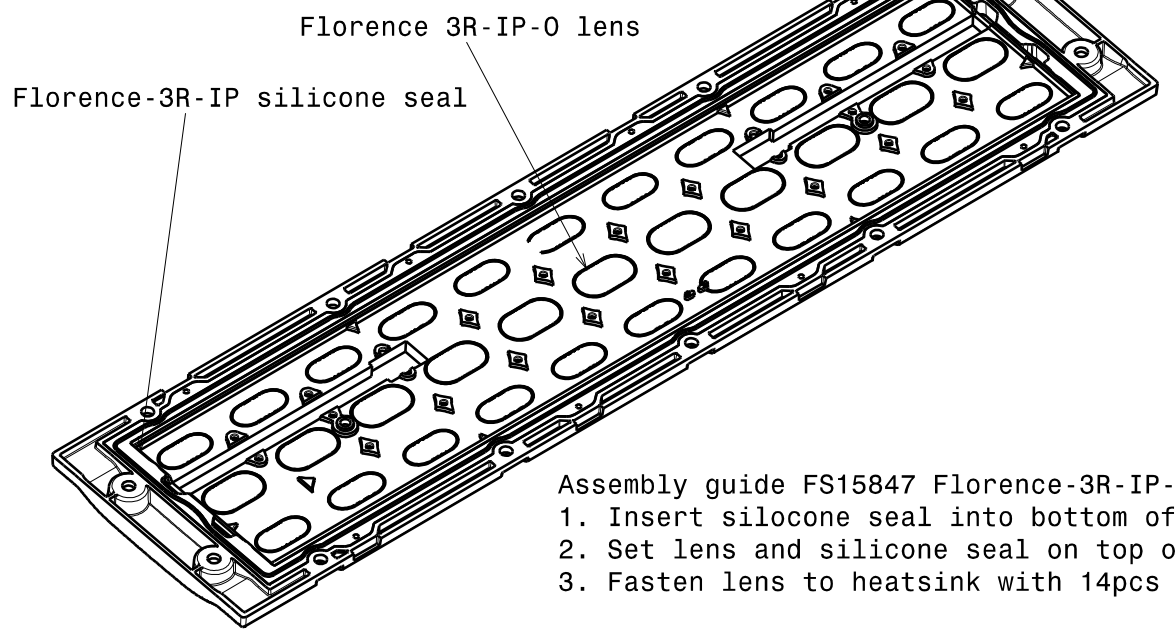
3

2

1



Detail A



Assembly guide FS15847 Florence-3R-IP-0:
 1. Insert silicone seal into bottom of Florence-3R-IP-0 lens
 2. Set lens and silicone seal on top of PCB
 3. Fasten lens to heatsink with 14pcs of M3 screws
 Screw type DIN 7985 M3, Max torque 0.6Nm

INDEX	PART NO	DESCRIPTION	MATERIAL	COLOUR
1	F15625	FLORENCE-3R-IP-Seal	Silicone	
2	F15675	FLORENCE-3R-IP-0	PC	

Tolerances if not otherwise shown
 According to DIN ISO 2768-1
 Linear measures:
 Up to 30mm class M, otherwise class C.
 According to DIN ISO 2768-2
 Form and position: class L

THIRD ANGLE PROJECTION:

This drawing is the property of LEDiL Oy. It may not be reproduced, copied or communicated without a written agreement with LEDiL Oy.

Ledil Oy Salorankatu 10 FIN 24240 SALO Finland	DRAWING TITLE	
	FS15827_Florence-3R-IP-0_Mechanical_drawing	
SIZE	PART NUMBER	
A3	FS15827	
SCALE	1:1	WEIGHT
		g
SHEET		1/1

H G B A