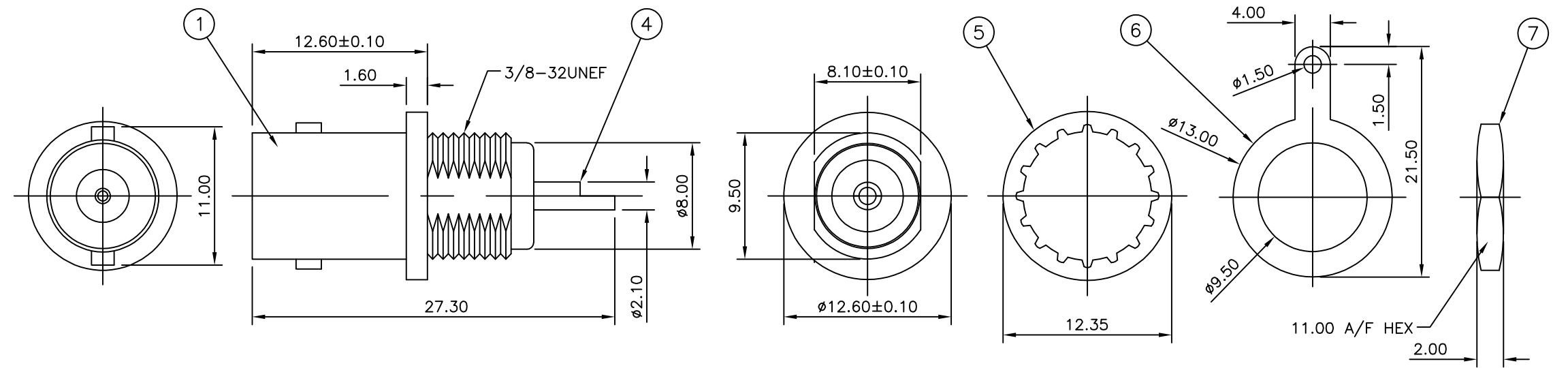
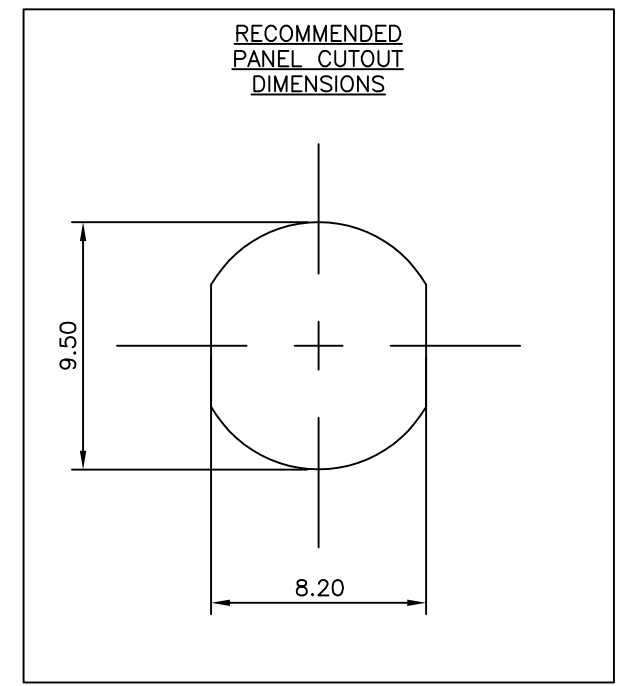
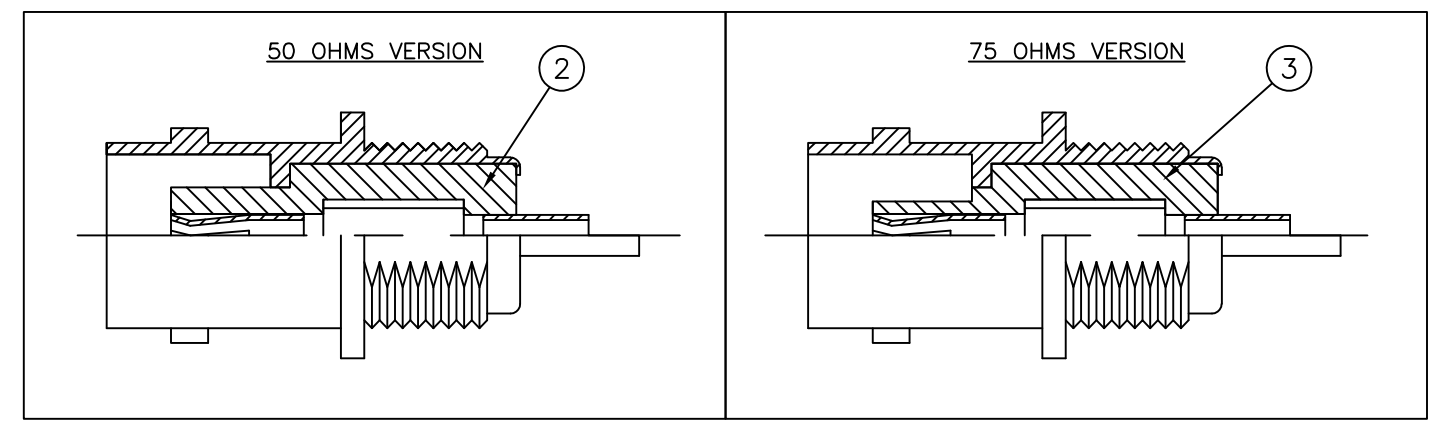


THIS DRAWING IS UNPUBLISHED. RELEASED FOR PUBLICATION JAN , 2005.
 © COPYRIGHT 2005 By - ALL RIGHTS RESERVED.

LOC	DIST	REVISIONS			
P	LTR	DESCRIPTION	DATE	DWN	APVD
E	B	B1	REVISED PER ECO-11-005033	01APR11	RK HMR
		C	ECO-12-014680	20Aug2012	TITAN MARTIN



- NOTES**
- 1 100 TRAY PACK IN ACCORDANCE WITH AMP SPEC 107-3275
 - 2 SINGLE PACK IN ACCORDANCE WITH AMP SPEC 107-3275
 - 3 Au PLATING OVER Ni PLATING OVER Cu PLATING
 - 4 Ni PLATING OVER Cu PLATING
 - 5. FOR TECHNICAL DATA REFER TO YOUR LOCAL TE CONNECTIVITY SALES OFFICE
 - 6. ALL DIMENSIONS ARE NOMINAL FOR REFERENCE ONLY UNLESS OTHERWISE STATED



				Obsolete	Obsolete	Obsolete					
				1	1	1	1	BRASS	△	HEX NUT	7
				1	1	1	1	BRASS	△	SOLDER TAG	6
				1	1	1	1	STEEL	△	LOCK WASHER	5
				1	1	1	1	PHOS BRONZE	△	CONTACT	4
				1	1	-	-	POLYMETHYLPENTENE		INSULATOR	3
				-	-	1	1	POLYMETHYLPENTENE		INSULATOR	2
				1	1	-	-	ZINC ALLOY	△	BODY	1
				5--3	5--2	5--1	5--0	MATERIAL		DESCRIPTION	ITEM
				△	△	△	△	QUANTITY PER ASSY			
				PARTS LIST							

THIS DRAWING IS A CONTROLLED DOCUMENT.		DWN	RITA ZUO	14 Feb 09	TE Connectivity BNC BULKHEAD SOCKET FRONT MOUNT WITH SOLDER TAG			RESTRICTED TO									
DIMENSIONS: mm		CHK	ANSON MA	14 Feb 09				NAME		-							
TOLERANCES UNLESS OTHERWISE SPECIFIED:		APVD	BOB ZHAO	14 Feb 09				PRODUCT SPEC		-							
0 PLC ± 0.5 1 PLC ± 0.3 2 PLC ± 0.2 3 PLC ± - 4 PLC ± - ANGLES ± -		APPLICATION SPEC		108-112000				-									
MATERIAL SEE TABLE		FINISH -		WEIGHT -		SIZE	A3	CAGE CODE	00779	DRAWING NO	C-1634523	SCALE	NTS	SHEET	1 OF 1	REV	C
CUSTOMER DRAWING												SCALE NTS		SHEET 1 OF 1		REV C	