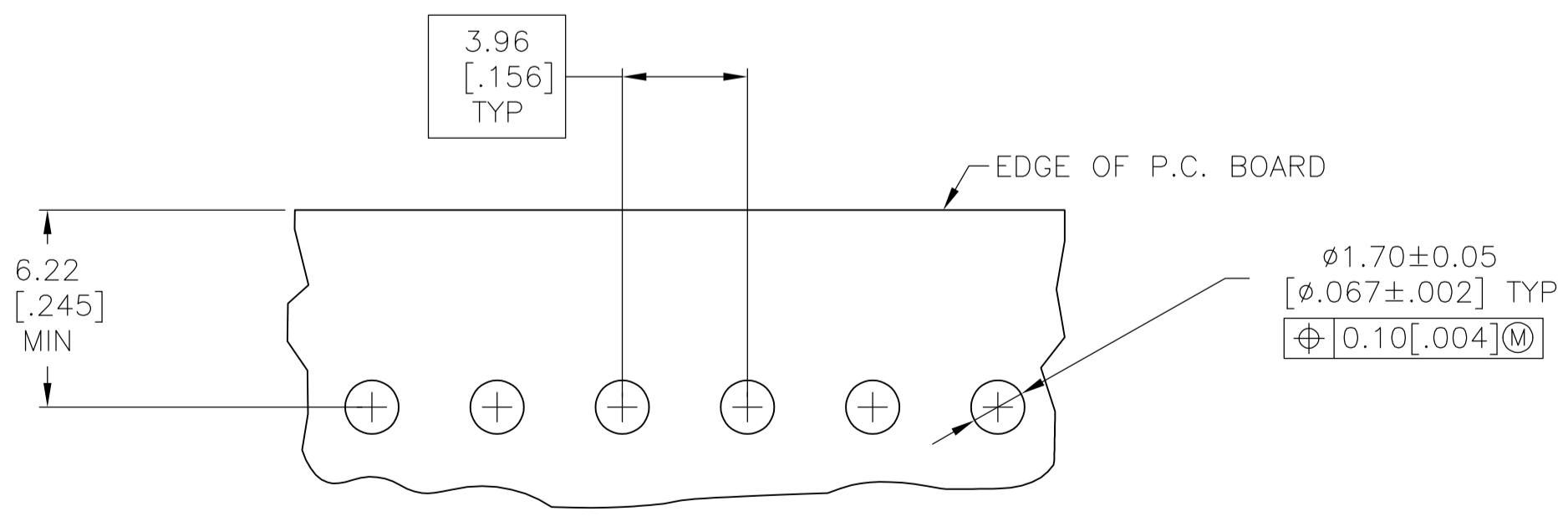
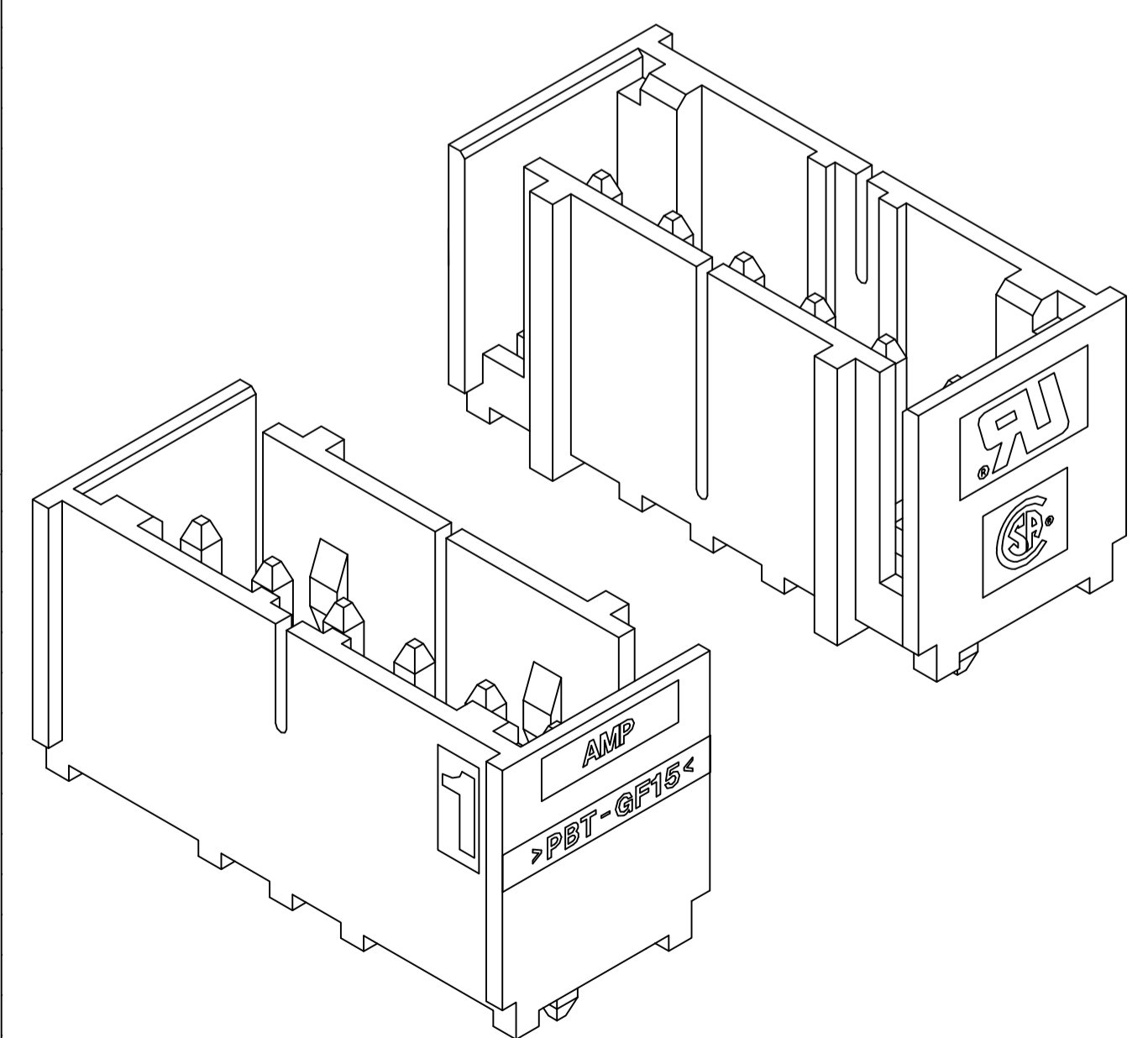


- 1 MATERIAL: HOUSING - THERMOPLASTIC POLYESTER, GLASS FILLED, UL94-0. POST - COPPER ALLOY.
- 2 FINISH: HOUSING - BLACK. POST - SEE NOTES 12, 13 AND 14 FOR PLATING.
- 3 POST TO WITHSTAND 3LBS (16N) MIN AXIAL FORCE IN THIS DIRECTION WITHOUT DISLODGING.
- 4 APPLIES AT -A-
- 5 APPLIES WHEN HEADER IS STRAIGHT.
- 6 PLASTIC PROJECTIONS PERMITTED IN THIS ZONE.
- 7 COORDINATE DIMENSIONS APPLIES FROM CENTER OF ACTUAL FEATURE.
- 8 SOLDER SIDE OF BOARD IS SHOWN.
- 9 POST SOLDER TAIL MUST COMPLY WITH AMP SOLDERABILITY SPEC 109-11-2.
- 10 LATCH DETENT FEATURE APPEARS 1 PLACE ON EACH END OF PART (MAX OF 2 PER PART) ON ALL POSITIONS 4 THRU 12. THE LATCH APPEARS ONLY ONE PLACE ON 2 & 3 POSITION PARTS.
- 11 DIMENSIONS IN BRACKETS ARE IN INCHES.
- 12 PLATING: GOLD PLATE AREA, 0.00076[.000030] GOLD OR 0.00008[.000003] MIN GOLD FLASH OVER 0.00068[.000027] PALLADIUM NICKEL, PER TE CONNECTIVITY'S DISCRETION, ALL SIDES, OVER NICKEL UNDERPLATE, 0.00127[.000050] MIN, ALL SIDES AND ENTIRE LENGTH OF POST.
- 13 BRIGHT TIN LEAD (93/7) PLATE AREA 0.00381 - 0.0089 [.000150 - .000350] ALL FOUR SIDES, 3.18 [.125] MIN..
- 14 MATTE TIN PLATE AREA 0.00381 - 0.0089 [.000150 - .000350] ALL FOUR SIDES, 3.18 [.125] MIN..
- 15 OBSOLETE PARTS: OBSOLETE CIS STREAMLINING PER D.RENAUD/D.SINISI



RECOMMENDED MOUNTING HOLE PATTERN FOR 1.57[.062] THICK P.C. BOARD

SECTION A-A

647131=6 SHOWN

<p>12, 14</p> <p>15 SUPERSEDED</p> <p>15 SUPERSEDED</p>	49.94	1.966	12	3-647131-2
	45.97	1.810	11	3-647131-1
	42.01	1.654	10	3-647131-0
	38.05	1.498	9	2-647131-9
	34.09	1.342	8	2-647131-8
	30.12	1.186	7	2-647131-7
	26.16	1.030	6	2-647131-6
	22.20	.874	5	2-647131-5
	18.24	.718	4	2-647131-4
	14.27	.562	3	2-647131-3
	10.31	.406	2	2-647131-2
	49.94	1.966	12	1-647131-2
	45.97	1.810	11	1-647131-1
	42.01	1.654	10	1-647131-0
	38.05	1.498	9	1-647131-9
34.09	1.342	8	1-647131-8	
30.12	1.186	7	1-647131-7	
26.16	1.030	6	1-647131-6	
22.20	.874	5	1-647131-5	
18.24	.718	4	1-647131-4	
14.27	.562	3	1-647131-3	
10.31	.406	2	1-647131-2	
PLATING	MM	IN	NO OF POSN	PART NUMBER
	L	DIM		

THIS DRAWING IS A CONTROLLED DOCUMENT. ESTE PLANO ES UN DOCUMENTO CONTROLADO.

DIMENSIONS: MEDIDAS mm (INCHES)	TOLERANCES UNLESS OTHERWISE SPECIFIED: TOLERANCIAS SALVO INDICACION:	DIN/DIBUJO: 6-17-98	APPROVED: 6-17-98
0 PLC/LUG ± -	1 PLC/LUG ± -	1 PLC/LUG ± -	1 PLC/LUG ± -
2 PLC/LUG ± -	2 PLC/LUG ± -	2 PLC/LUG ± -	2 PLC/LUG ± -
3 PLC/LUG ± .005	3 PLC/LUG ± .005	3 PLC/LUG ± .005	3 PLC/LUG ± .005
4 PLC/LUG ± -	4 PLC/LUG ± -	4 PLC/LUG ± -	4 PLC/LUG ± -
ANGLES/ANGULOS ± -			

MATERIAL: FINISH ACABADO

WEIGHT PESO

CUSTOMER DRAWING/PLANO DE CLIENTE

SCALE ESCALA 5:1

SHEET HOJA 1 OF 1

REV

STE TE Connectivity

MTA-156 SHROUDED HEADER ASSEMBLY, STRAIGHT .045 SQUARE POST, .000030 GOLD, W/O RETENTION PEG

SIZE TAMAÑO: A1

DRAWING NO: 00779

SCALE ESCALA: 5:1

SHEET HOJA: 1 OF 1

REV: E