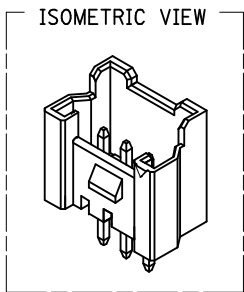
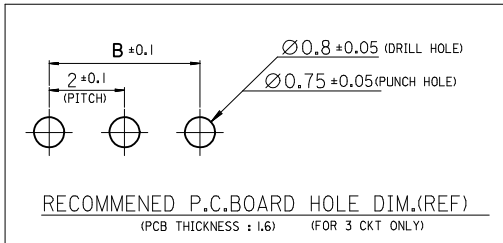
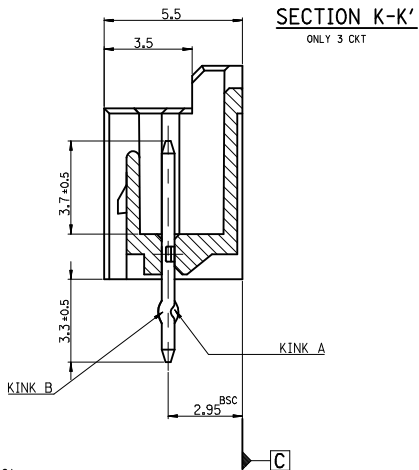
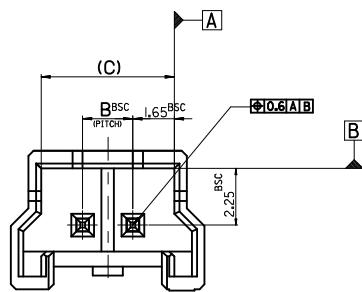


FOR 2 & 3 CKTS.



**LEGEND**

SD-35362-\*\*\*  
 CKT NO. ——— COLOR

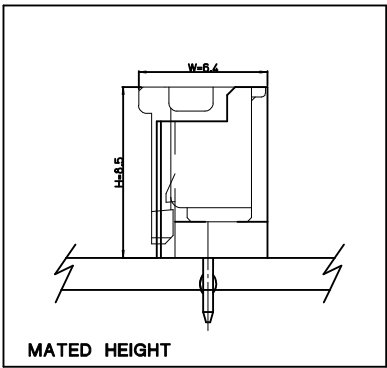
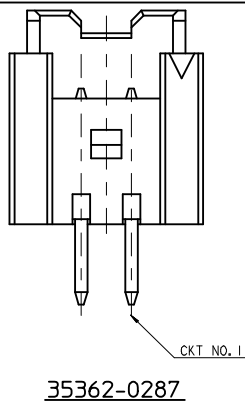
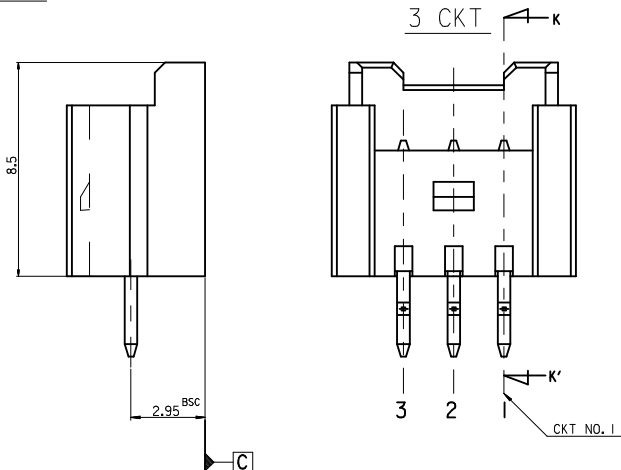
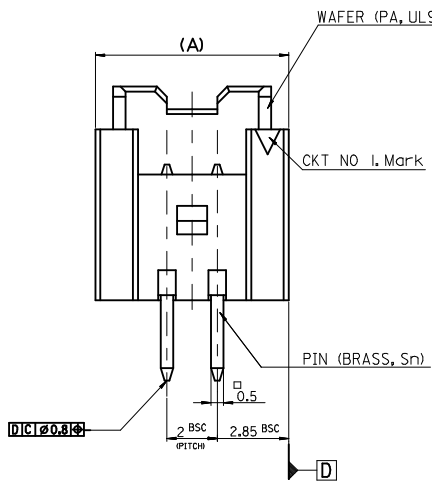
0 : NATURAL	5 : SELECTIVE KINK (LEAD FREE)
1 : BLACK	6 : NONE KINK (LEAD FREE)
2 : RED	7 : SELECTIVE KINK (LEAD FREE)
3 : YELLOW	8 : NONE KINK (LEAD FREE)
4 : BLUE	
5 : GREEN	
6 : TUBE PACKING (Natural Color)	
7 : TUBE PACKING (Red Color)	
8 : TUBE PACKING (Blue Color)	

- NOTES**
- MATERIAL : UNFILLED POLYAMIDE, UL94V-0  
PIN : BRASS
  - FINISHES : PIN : Tin(Sn) 1-3µm OVERALL
  - PRODUCT SPECIFICATION : PS-35507-003
  - MATING HOUSING : 35507-\*\*\*0\*  
MATING TERMINAL : 50212-8000
  - KINK

CKT NO	1	2	3
2 CKT			
3 CKT	A	B	A

CKT NO	1	2
PRODUCT NO.	A	B
35362-0287	A	B



7.3	4	9.7	3536203**	35362-03**	3
5.3	2	7.7	3536202**	35362-02**	2
(C)	B	(A)	MATERIAL NO.	ENG. NO.	CKT

<b>LEAD FREE</b>	
30 over	±0.3
10 over 30 under	±0.25
10 under	±0.2
ANGLE	±3°
GENERAL TOLERANCE	

REVISED  
 EC NO: KOR2015-0019  
 T1 DRW: NKT1M01 2014/08/25  
 CHYKH: KSKIM 2014/08/26  
 APPR: YSKIM02 2014/09/03

QUALITY SYMBOLS $\nabla_F=0$ $\nabla_E=0$ $\nabla_D=0$	GENERAL TOLERANCES (UNLESS SPECIFIED)		DIMENSION STYLE MM ONLY		SCALE 5:1	DESIGN UNITS METRIC	THIRD ANGLE PROJECTION
	4 PLACES	± --- ± ---	mm	INCH	DRAWN BY YSOOKIM	DATE 1996/09/11	TITLE 2.0 W/B WAFER ASS'Y -LEAD FREE-
3 PLACES	± --- ± ---			CHECKED BY JKOH	DATE 1996/09/11		
2 PLACES	± --- ± ---			APPROVED BY	DATE		
1 PLACE	± --- ± ---						
0 PLACE	± --- ± ---						
ANGULAR ± --- °				MATERIAL NO.		DOCUMENT NO.	
DRAFT WHERE APPLICABLE MUST REMAIN WITHIN DIMENSIONS				SEE TABLE		SD-35362-002	
		SIZE A3		THIS DRAWING CONTAINS INFORMATION THAT IS PROPRIETARY TO MOLEX INCORPORATED AND SHOULD NOT BE USED WITHOUT WRITTEN PERMISSION			