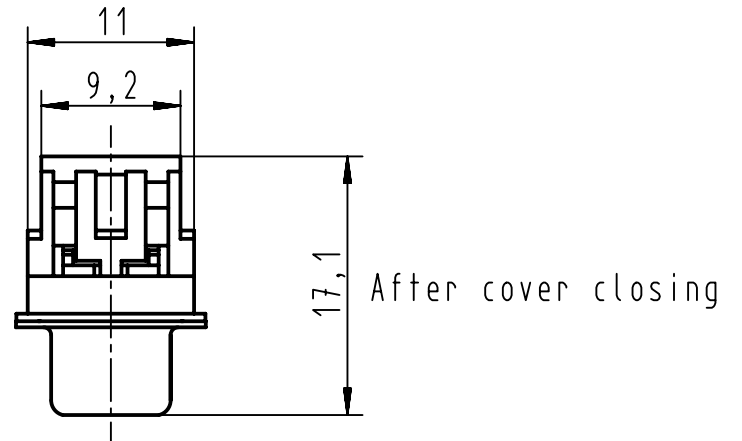
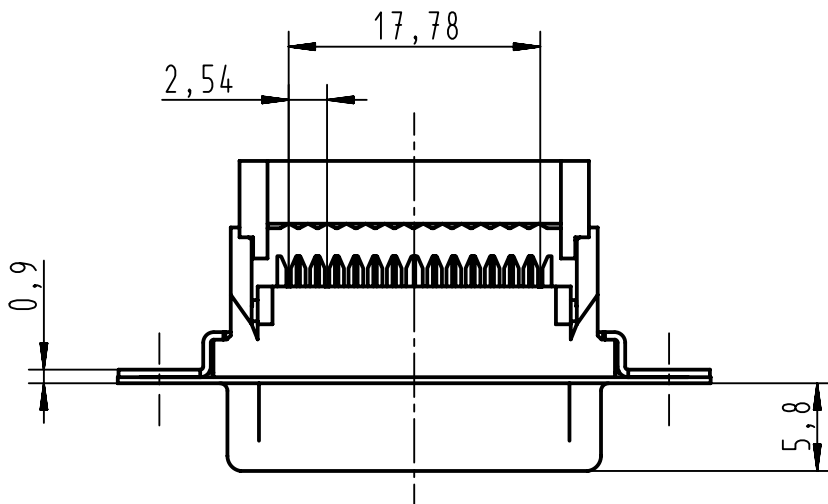
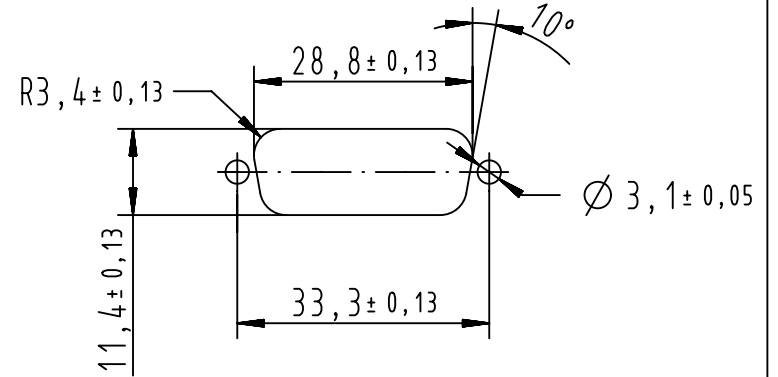
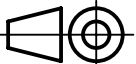



Recommended panel cutout dimensions  
for rear mounting  
According to CECC 75 301-802



 All Dimensions in mm Original Size DIN A4		Scale 2:1	Free size tol.		Ref.
 All rights reserved Department EC PD - FR		Created by DOUGE	Inspected by BAGDIKIAN	Standardisation HOFFMANN	Date 2013-04-23
HARTING Electronics GmbH D-32339 Espelkamp		Title D-Sub IDC 15P female straight			State Final Release
Part number Performance level		Type TB	Number 0966218X500		Doc-Key / ECM-Nr. 100527183/UGD/001/A 5300000858839 Rev. A Page 1/1

A  
B  
C  
D

1 2 3 4 5 6