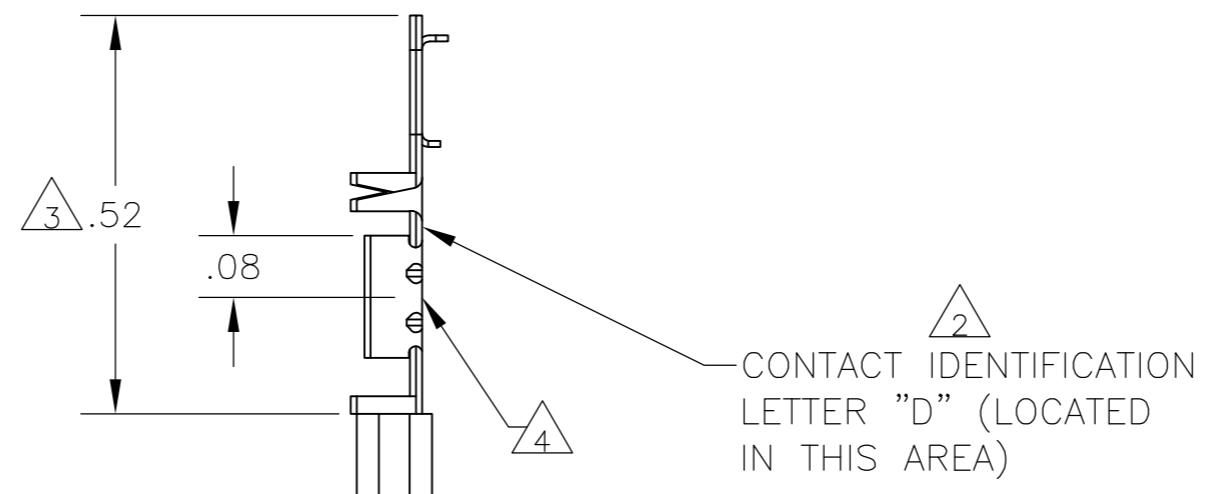
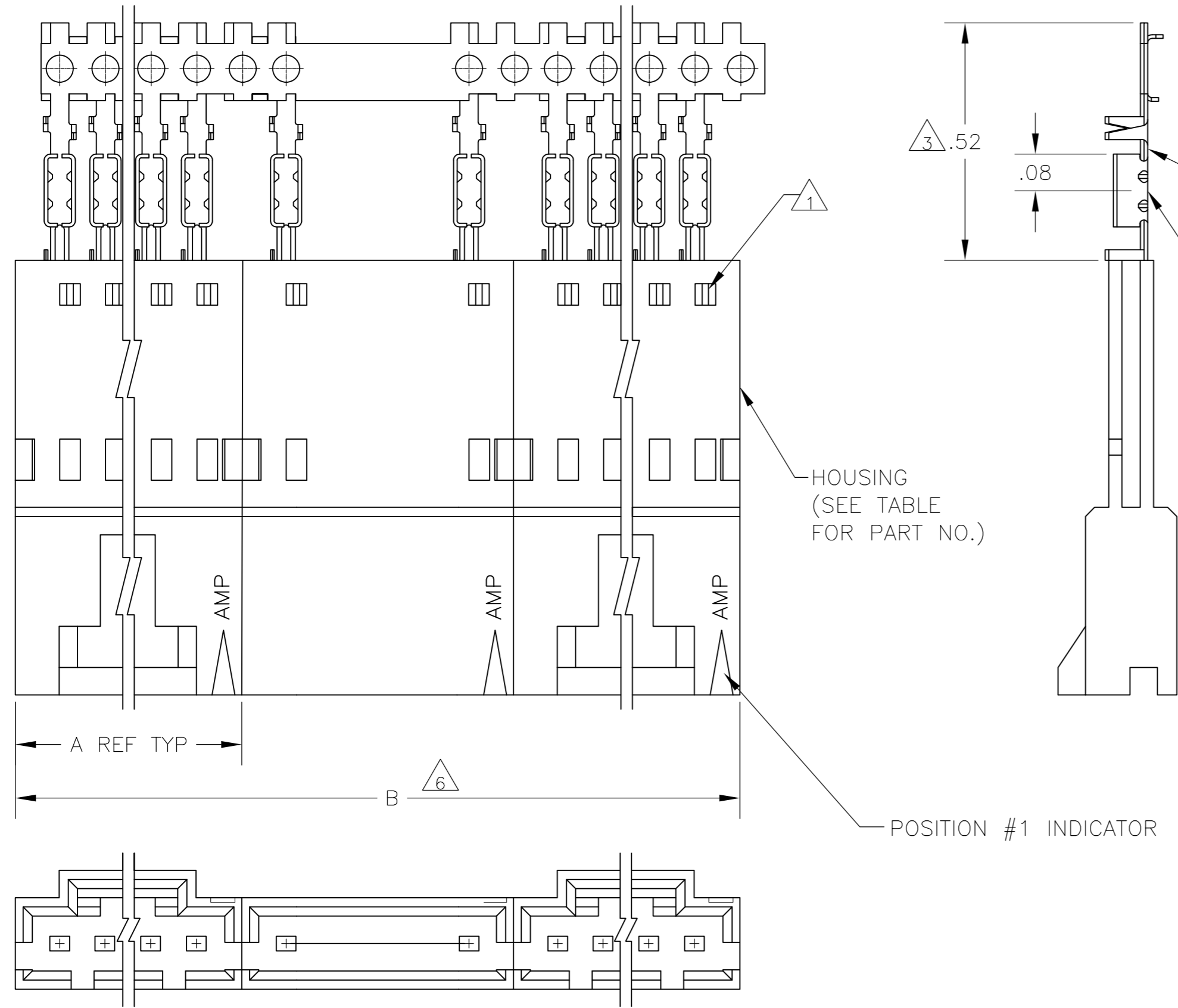


LOC	DIST	REVISIONS			
P	LTR	DESCRIPTION	DATE	DWN	APVD
AD	00				
	K2	REVISED PER ECO-11-004820	11MAR11	RK	HMR



PLATING	6	B	A	HOUSING PART NUMBER	NO OF POSN	ASSEMBLY PART NUMBER ON STRIP	
12	11	2	2.59	1.295	1-103653-1	12	6-103944-1
12	11	2	2.39	1.195	1-103653-0	11	6-103944-0
	11	2	2.19	1.095	103653-9	10	5-103944-9
	11	2	1.99	.995	103653-8	9	5-103944-8
	11	2	1.79	.895	103653-7	8	5-103944-7
	11	3	2.39	.795	103653-6	7	5-103944-6
	11	2	1.39	.695	103653-5	6	5-103944-5
	11	4	2.38	.595	103653-4	5	5-103944-4
	11	4	1.98	.495	103653-3	4	5-103944-3
	11	5	1.98	.395	103653-2	3	5-103944-2
	11	8	2.36	.295	103653-1	2	5-103944-1
10	9	3	2.39	.795	103653-6	7	1-103944-3
10	9	4	1.98	.495	103653-3	4	1-103944-2
12	8	2	2.59	1.295	1-103653-1	12	1-103944-1
12	8	2	2.39	1.195	1-103653-0	11	1-103944-0
	8	2	2.19	1.095	103653-9	10	103944-9
	8	2	1.99	.995	103653-8	9	103944-8
	8	2	1.79	.895	103653-7	8	103944-7
	8	3	2.39	.795	103653-6	7	103944-6
	8	2	1.39	.695	103653-5	6	103944-5
	8	4	2.38	.595	103653-4	5	103944-4
	8	4	1.98	.495	103653-3	4	103944-3
	8	5	1.98	.395	103653-2	3	103944-2
	8	8	2.36	.295	103653-1	2	103944-1

- 1 CONTACTS ARE LATCHED INTO THE PRELOAD WINDOWS
- 2 USE WITH #22-#26 AWG WIRE SIZE, .054/.030 INSULATION DIAMETER, .015 MAXIMUM INSULATION THICKNESS
- 3 THE DIMENSION APPLIES WITH THE FORWARD PRELOAD STOP IN CONTACT WITH THE HOUSING SURFACE
- 4 POINT OF MEASUREMENT FOR PLATING THICKNESS
- 5 FOR INDIVIDUAL ASSEMBLIES SEE PART NUMBER 103661
- 6 ASSEMBLIES ARE JOINED BY THE CARRIER STRIP. ORDER QUANTITY REFLECTS TOTAL NUMBER OF INDIVIDUAL ASSEMBLIES REQUIRED. SEE TABLE FOR NUMBER OF ASSEMBLIES PER STRIP.
- 7 MATERIAL- HOUSING: FLAME RETARDANT THERMOPLASTIC, COLOR: BLACK
PINS: PHOS. BRONZE
- 8 FINISH- PINS: .000100-.000200 BRIGHT TIN-LEAD OVER .000050 NICKEL.
- 9 FINISH- PINS: .000100-.000200 BRIGHT TIN OVER .000050 NICKEL.
- 10 PRELIMINARY PART - NOT RELEASED FOR PRODUCTION.
- 11 FINISH- PINS: .000100-.000200 MATTE TIN OVER .000050 NICKEL.
- 12 OBSOLETE PARTS: OBSOLETE CIS STREAMLINING PER D.RENAUD/D.SINISI

THIS DRAWING IS A CONTROLLED DOCUMENT.

DWN	R.BROWN	26JUL00
CHK	K.WRIGHT	26JUL00
APVD	K.WRIGHT	26JUL00
PRODUCT SPEC	108-25034	
APPLICATION SPEC	114-25026	
WEIGHT	-	
CUSTOMER DRAWING		

TE Connectivity

SHROUDED PIN ASSY, AMPMTE, SINGLE ROW, .100 CL, POLARIZED, W/ LATCH WINDOWS, FOR NO 22-NO 26 AWG WIRE SIZE, STRIP FORM

SIZE	A2	CAGE CODE	00779	DRAWING NO	C=103944	RESTRICTED TO	-
SCALE	4:1	SHEET	1 of 1	REV	K2		