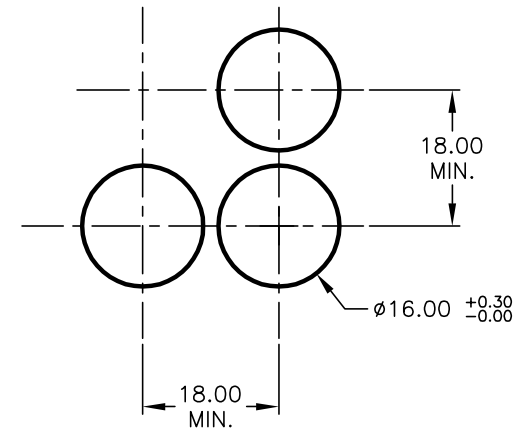


1 0 1 0 2
 3 0 0 4
 a - (L) - b (+)

SPST
 CONTACT CONFIGURATION

PARTS LIST			
ITEM	QTY.	PART NO.	PART DESCRIPTION
1	1	F040008	D16 OA S1 1
2	1	F050423	50-004-23 (RED L.E.D.)
3	1	F050304	50-003-04 (Transparent RED lens)



RECOMMENDED PANEL MOUNTING

SCALE 1:1

NOTES:

1. ALL DIMENSIONS IN MM
2. GENERAL TOLERANCE: X.X= ± 0.4
 X.XX= ± 0.25
3. RATINGS: 5A @250V AC
 8A @125V AC
4. TRAVEL: 3.0mm
5. CONTACT MATERIAL:
 COPPER ALLOY W/Silver Plating
6. LAMP VOLTAGE: 24V DC L.E.D.

E-SWITCH®

TITLE					D16OAS11KREDRED				
SCALE	DATE	DR	DWG	REV	SCALE	DATE	DR	DWG	REV
1.5:1	2/3/04	AR	XF0579P	A	1.5:1	2/3/04	AR	XF0579P	A

A	13745	RELEASE FOR PRODUCTION	2/3/04	AR
REV.	ECN No.	DESCRIPTION	DATE	CHKD

THE INFORMATION CONTAINED IN THIS DOCUMENT
 IS PROPRIETARY TO E-SWITCH AND IS
 NOT TO BE COPIED OR TRANSFERRED