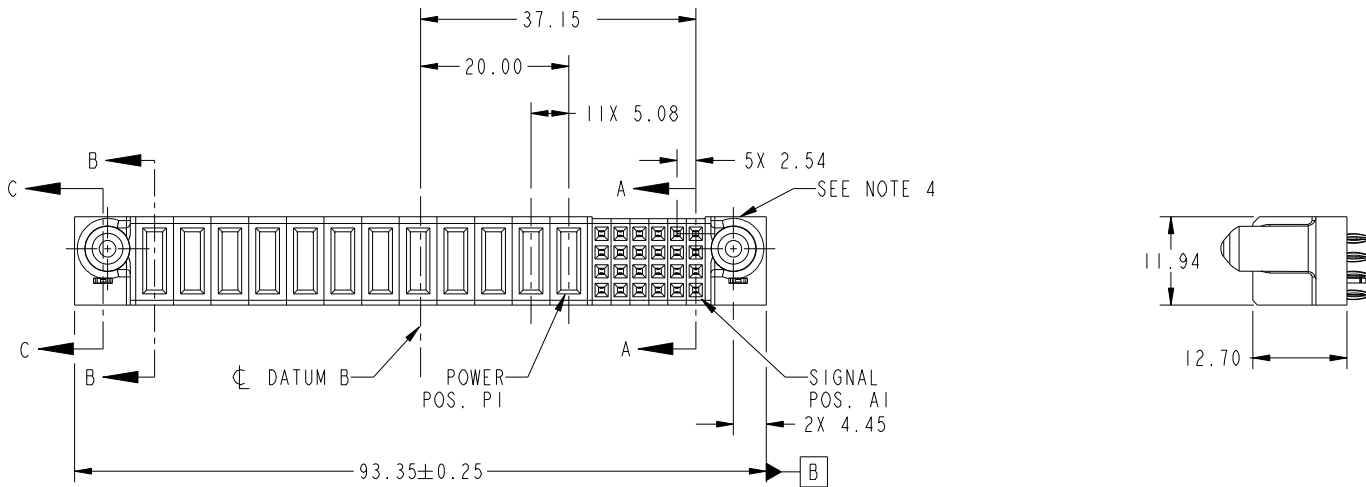


PRODUCT NO. 51940-457-- NOTE: 3	ROWS DCBA	POWER												SIGNAL						E1
		E2	P12	P11	P10	P9	P8	P7	P6	P5	P4	P3	P2	P1	6	5	4	3	2	



CODE	DIM "M" MATING LENGTH	CONTACT TYPE
PC	[1.07]	POWER
F	[N/A]	SIGNAL
HA	[N/A]	HOLD-DOWN

spec ref	*	dr	Weller Luo	2012-09-12	projection	MM	size	A4	scale	1:1
tolerance std	TOLERANCES UNLESS OTHERWISE SPECIFIED	eng	Weller Luo	2012-11-27			ecn no	*		
SEE NOTE		chr	-	-		product family	PwrBlade	rel level	Released	
surface		appr	PM ZHENG	2012-11-27			dwg no 51940-457	rev A	sheet 1 of 4	
linear		0.X	±0.5		24S + 12P				Product - Customer Drw	
angular	0°	±2°	VERTICAL PRESS-FIT RECEPT		*					
angular	0°	±2°	www.fci.com		cat. no.	*				

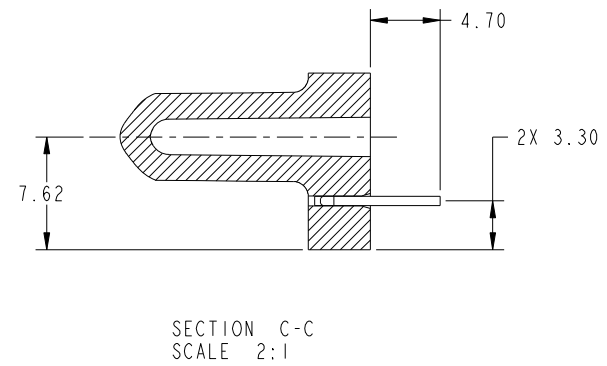
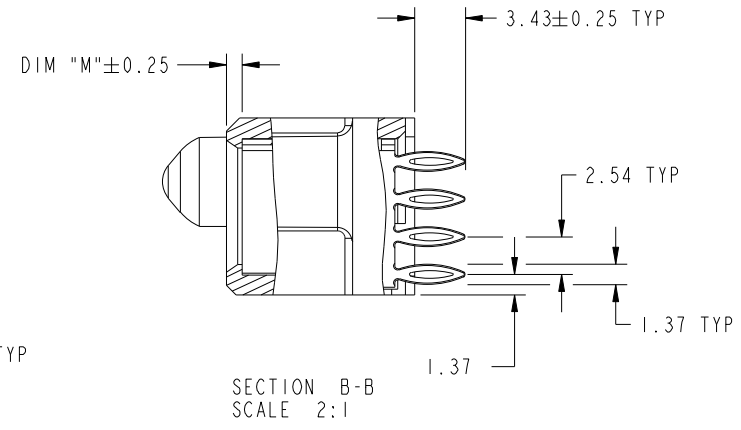
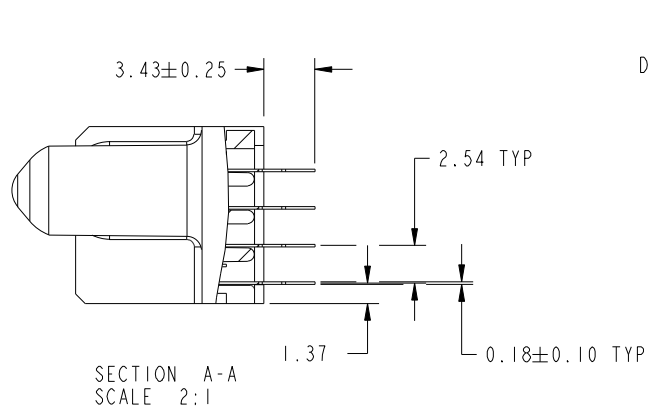
Part File - REV C - 2009-06-09



Copyright FCI.

PRODUCT NUMBER

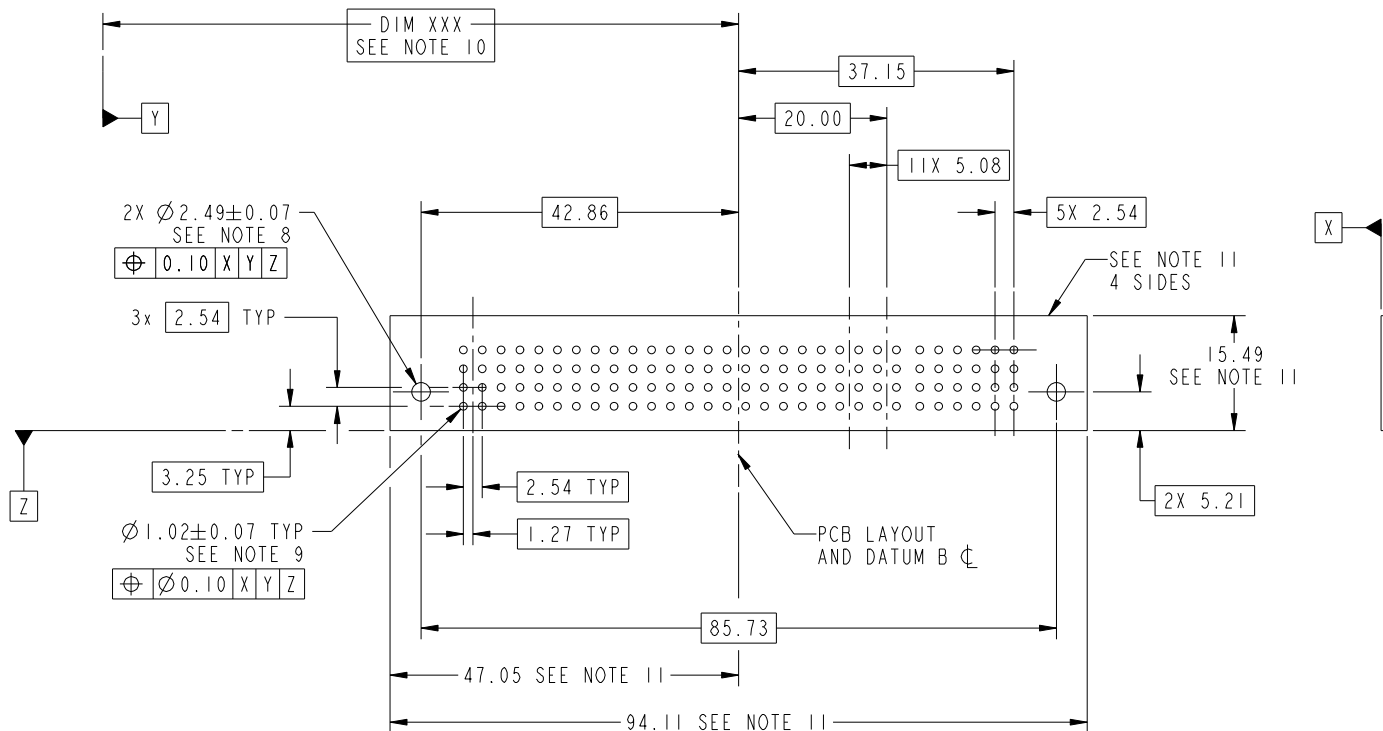
51940-457__
NOTE: 3



Copyright FCI.

dr	Weller Luo	2012-09-12	projection	MM	size	A4	scale	1:1
eng	Weller Luo	2012-11-27			ecn no	*		
chr	-	-		←→	rel level	Released		
appr	PM ZHENG	2012-11-27	product family	PwrBlade				
	title	24S + 12P	dwg no		51940-457	rev	A	
www.fci.com	cat. no.	*	Product - Customer Drw			sheet 2 of 4		

PRODUCT NUMBER
51940-457__
NOTE: 3



RECOMMENDED PCB LAYOUT

dr	Weller Luo	2012-09-12	projection	MM	size	A4	scale	1:1
eng	Weller Luo	2012-11-27			ecn no	*		
chr	-	-	product family	PwrBlade	rel level	Released		
appr	PM ZHENG	2012-11-27						
			24S + 12P VERTICAL PRESS-FIT RECEPT		dwg no 51940-457	rev A		
www.fci.com			cat. no. *		Product - Customer Drw		sheet 3 of 4	

PRODUCT NUMBER

51940-457__
NOTE: 3

NOTES:

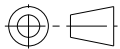

1. DIMENSIONS AND TOLERANCES ARE IN ACCORDANCE WITH ASME Y14.5M, 1994 UNLESS OTHERWISE SPECIFIED.

CONNECTOR NOTES:

- 2 HOUSING MATERIAL: UL 94 V-0 GLASS FILLED HIGH-TEMP THERMOPLASTIC
POWER CONTACT MATERIAL: COPPER ALLOY
SIGNAL PIN MATERIAL: COPPER ALLOY
 - 3. SEE ITEM 7 & 8 IN PRINT 10064183 FOR PLATING SPEC OF 51940-457 AND 51940-457LF RESPECTIVELY.
 - 4 MANUFACTURER'S NAME, DATE CODE AND OPTIONAL P/N TO APPEAR ON THIS SURFACE. THE MARK CAN BE OMITTED IF THERE IS NOT ENOUGH SPACE ON THIS SURFACE.
 - 5. PRODUCT SPECIFICATION GS-12-149.
APPLICATION SPECIFICATION BUS-20-067.
 - 6. PACKAGED IN TRAYS.
- PCB NOTES:
- 7. ALL HOLE DIAMETERS ARE FINISHED HOLE SIZE.
 - 8 MOUNTING HOLES, WHERE APPLICABLE, ARE UNPLATED.
 - 9 $\varnothing 1.151 \pm 0.025$ DRILLED HOLES PLATED WITH
0.008 MIN SnPb OR Sn OVER 0.03
TO 0.08 Cu PLATING TO ACHIEVE
 $\varnothing 1.02 \pm 0.07$ HOLE.
 - 10 "DIM XXX" TO BE DETERMINED BY THE CUSTOMER.
 - 11 CONNECTOR KEEP-OUT ZONE.
 - 12. THE VOID CORING IN BETWEEN POWER MODULES, SIGNAL MODULES AND END MODULES ARE OPTIONAL AND THE SHAPE MAY BE DIFFERENT FOR OPTIMIZE THE MOLDING PROCESS. THE VOID CORING WILL NOT EFFECT TO PRODUCT FUNCTION.



Copyright FCI.

dr	Weller Luo	2012-09-12	projection 	MM 	size	A4	scale	1:1
eng	Weller Luo	2012-11-27			ecn no	*		
chr	-	-	product family		PwrBlade	rel level	Released	
appr	PM ZHENG	2012-11-27	title		24S + 12P	dwg no	51940-457	rev
www.fci.com			cat. no.		*	Product - Customer Drw		sheet 4 of 4
			VERTICAL PRESS-FIT RECEPT				A	