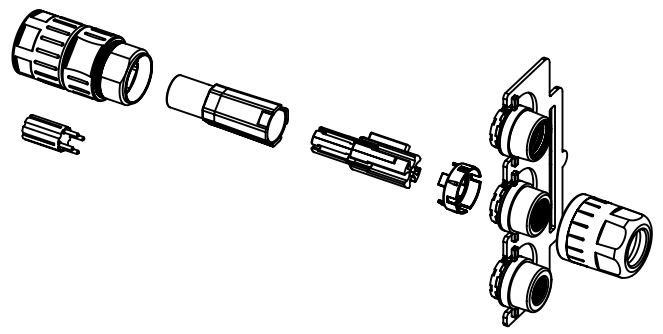


order contacts separately



5,7-8,8mm		AWG 22-18		09 67 000 3476	
		AWG 24-20		09 67 000 8476	
		AWG 26-22		09 67 000 5476	
cable Ø		wire gauge		part number	
All Dimensions in mm Original Size DIN A4		Scale 1:1	Free size tol.		Ref. Sub.
All rights reserved Department EC PD - DE	Created by HASSE	Inspected by FRIESENH	Standardisation HOFFMANN	Date 2015-05-22	State Final Release
	Title M12 crimp Slim Design 5-pole A-coded female				Doc-Key / ECM-Nr. 100580311/UGD/000/A 500000088640
HARTING Electronics GmbH D-32339 Espelkamp		Type TB	Number 21038212505		Rev. A Page 1/1