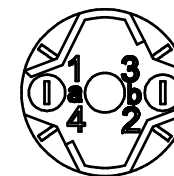
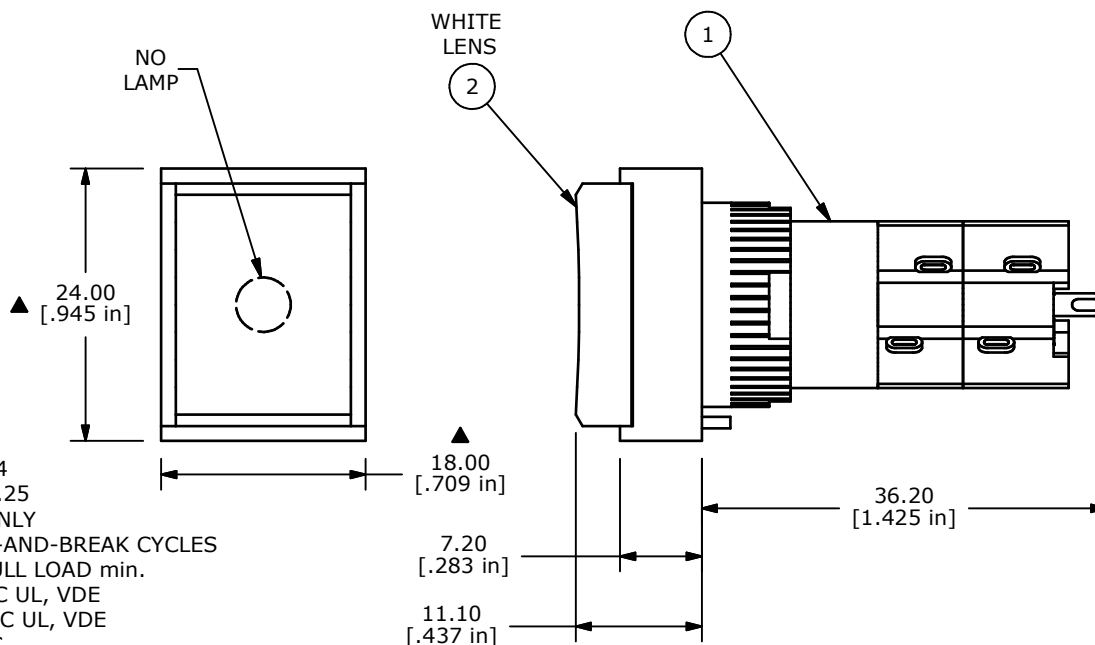
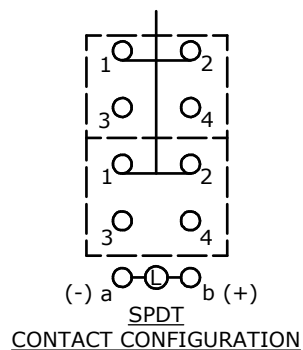
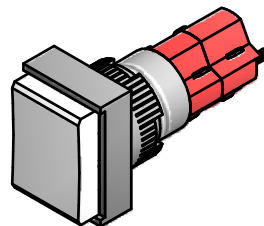
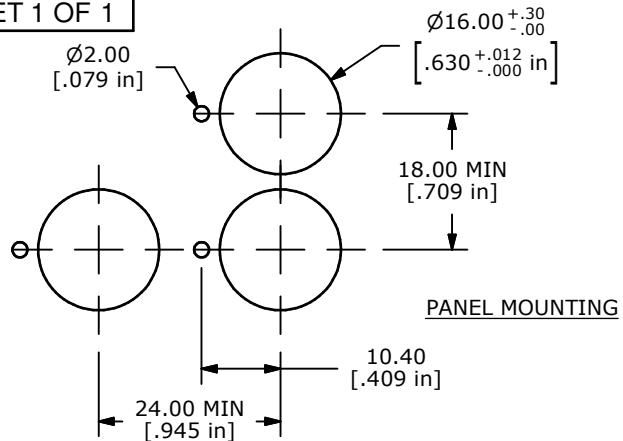


PARTS LIST			
ITEM	QTY	PART NUMBER	DESCRIPTION
1	1	F040035	D16OAT12
2	1	F052205	50-002-05 WHITE OPAQUE RECTANGULAR CONCAVE LENS



- NOTE:
- ALL DIMENSIONS IN MM [INCH]
 - GENERAL TOLERANCE: X.X=±0.4
X.XX=±0.25
 - TERMINAL NUMBERS FOR REF ONLY
 - ELECTRICAL LIFE: 50,000 MAKE-AND-BREAK CYCLES AT FULL LOAD min.
 - CONTACT RATING: 5A @ 250VAC UL, VDE
8A @ 125VAC UL, VDE
6A @ 24VDC
 - SEAL RATING: IP40
 - MOUNTING PANEL THICKNESS: 0.5mm - 5.0 mm
 - INSULATION RESISTANCE: 1,000 MILLI-OHM MIN.
 - OPERATING TEMP.: -25°C to 70°C
 - FULL TRAVEL: 3.0 mm
 - LAMP VOLTAGE: NO LAMP
 - ▲ DENOTES CRITICAL PARAMETER.
 - 2002/95/EC (ROHS) COMPLIANT.
 - PACKAGE: BOX / 20 PIECES PER BOX

A	18613	RELEASED FOR PRODUCTION	8/12/09	BLR
REV	PCR NO	DESCRIPTION	DATE	BY

TITLE D16OAT120WHT				
SCALE	DATE	DR	DWG	REV
1.5:1	8/12/2009	BLR	XF0803P	A

THE INFORMATION CONTAINED IN THIS DOCUMENT IS PROPRIETARY TO E-SWITCH AND IS NOT TO BE COPIED OR TRANSFERRED