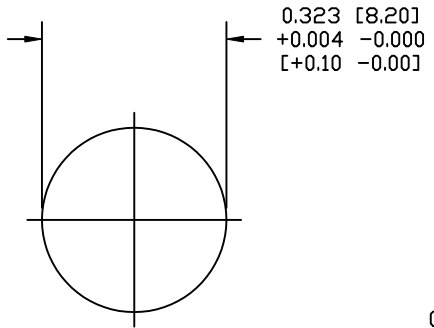
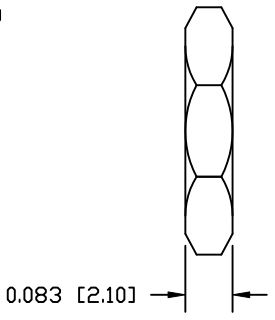


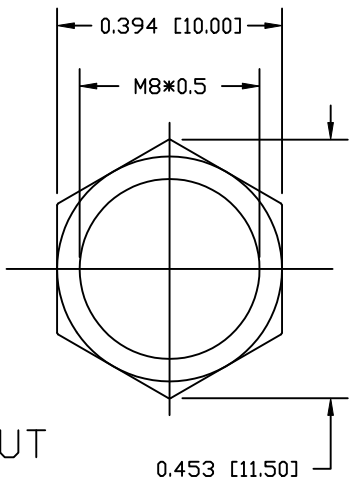
**DESCRIPTION: M8 MALE - PANEL MOUNT (FRONT) - SOLDER CUP - 6 POS.**



PANEL CUTOUT



NUT

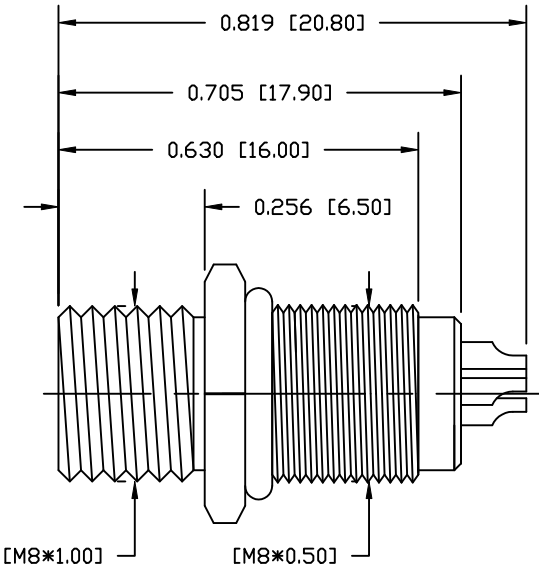
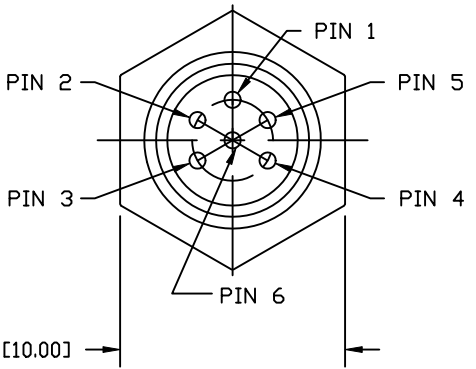
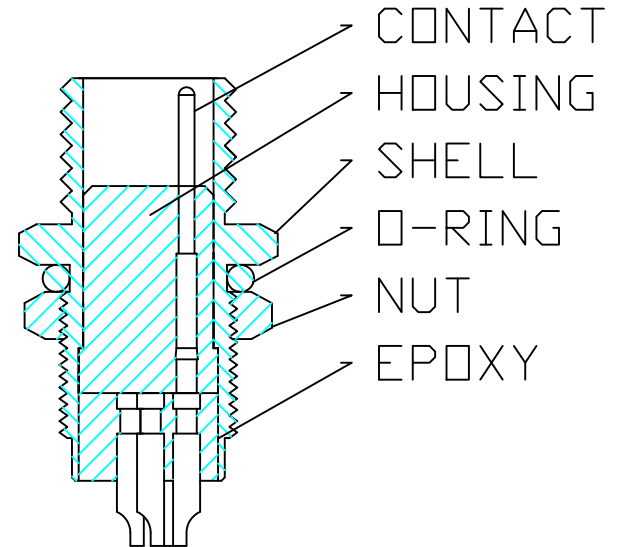


**NOTE:**

<b>MATERIAL</b>	
HOUSING:	PBT UL94V-0, BLACK
CONTACT:	BRASS
SHELL:	BRASS
O-RING:	NBR, BLACK
NUT:	BRASS
<b>FINISH</b>	
CONTACT:	GOLD PLATED OVER 50µ" NICKEL
SHELL:	NICKEL PLATED
NUT:	NICKEL PLATED
<b>ELECTRICAL</b>	
RATED CURRENT:	3A
RATED VOLTAGE:	60V
INSULATION RESISTANCE:	100 MΩhms MIN.
CONTACT RESISTANCE:	10 MΩhms MAX.
WATER PROOF:	IP67
<b>ENVIRONMENT</b>	
OPERATION TEMPERATURE:	-40°C TO +85°C
<b>WIRE GAUGE:</b> 24-28 AWG	

**855-006-103R00Y**

- 1 = GOLD FLASH
- 4 = 10µ" GOLD



**RoHS COMPLIANT**

**DO NOT SCALE FROM DRAWING**



THESE DRAWINGS AND SPECIFICATIONS ARE THE PROPERTY OF NorComp AND SHALL NOT BE REPRODUCED, COPIED OR USED AS THE BASIS FOR THE MANUFACTURE OR SALE OF APPARATUS WITHOUT WRITTEN PERMISSION.

DRAWN:	M. SIGMON	DATE:	03-04-16
CHECKED:		DATE:	

**NorComp**

SCALE:	N.T.S.	SHEET	1	OF	1	REV	1
DWG NO.	855-006-103R00Y						