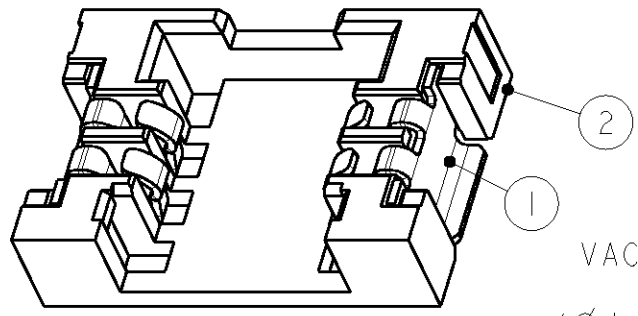


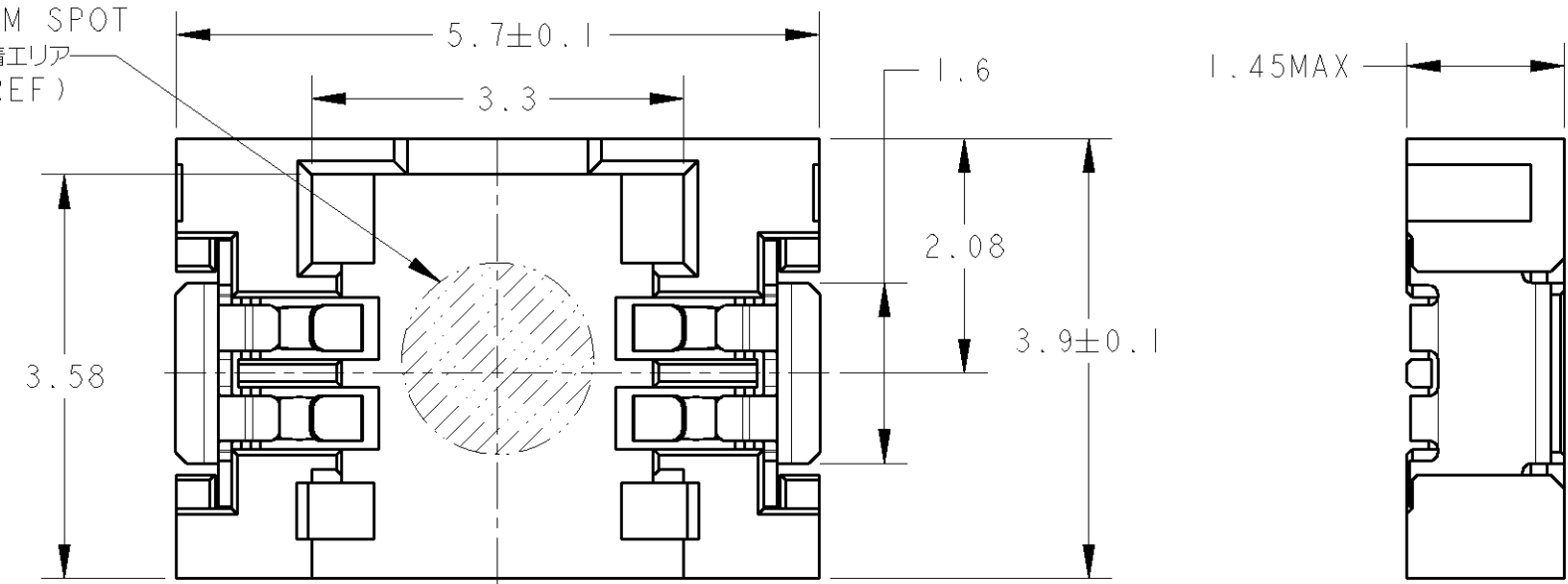
THIS DRAWING IS UNPUBLISHED. RELEASED FOR PUBLICATION 20
 © COPYRIGHT 20 BY TYCO ELECTRONICS CORPORATION. ALL RIGHTS RESERVED.

LOC	DIST	REVISIONS					
		P	LTR	DESCRIPTION	DATE	DWN	APVD
J	-		E2	REVISED	28NOV06	C.O	Y.N



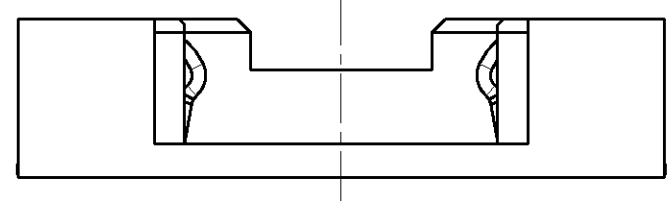
SCALE 10:1

VACUUM SPOT
 吸着エリア
 (Ø 1.7 REF)



- 1: 本図
 - 1: AS SHOWN

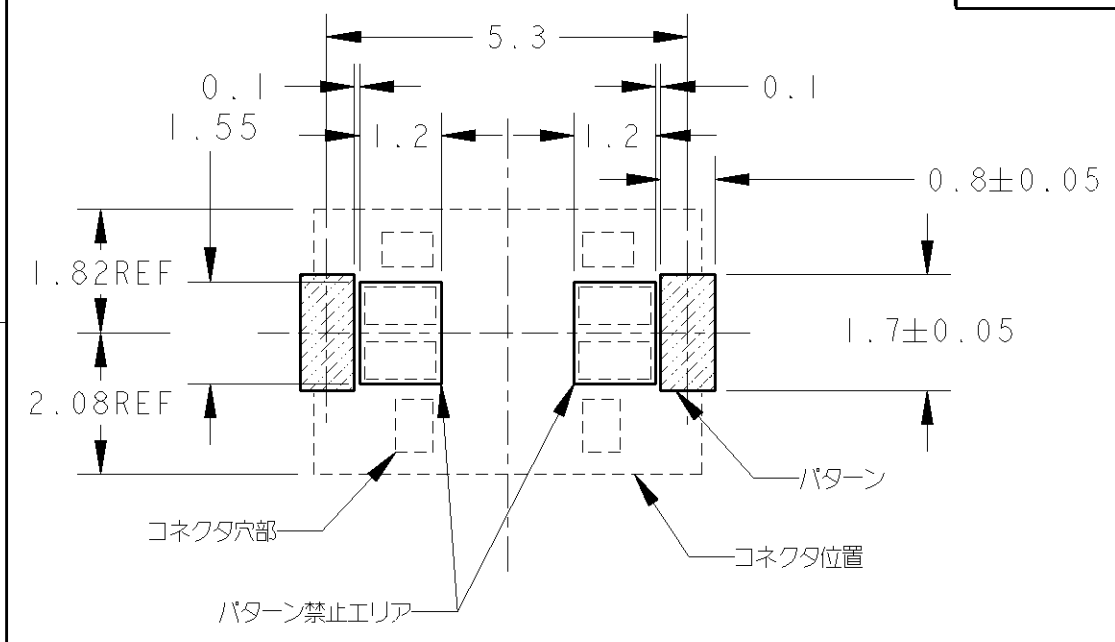
↑
 ケーブル側 CABLE SIDE



① 表面処理
 1. 3µm以上の全面ニッケルめっきの上に
 コンタクト接点部に0.3µm以上、半田付け部分に0.05~0.2µmの金めっきを施す
 1 FINISH ALL SURFACE; 1.3µm MINIMUM Ni UNDER PLATING
 CONTACT AREA; 0.3µm MINIMUM Au PLATING
 SOLDERING AREA; 0.05~0.2µm Au PLATING

適応ワイヤーサイズ(本図): AWG32
 APPLICABLE WIRE GAGE: AWG32

HOUSING	THERMO PLASTICS	BOARD CONN.	②
CONTACT	PBR, Ni-UNDER PLATING, Au FINISH		①
NAME	MATERIAL	DESCRIPTION	ITEM



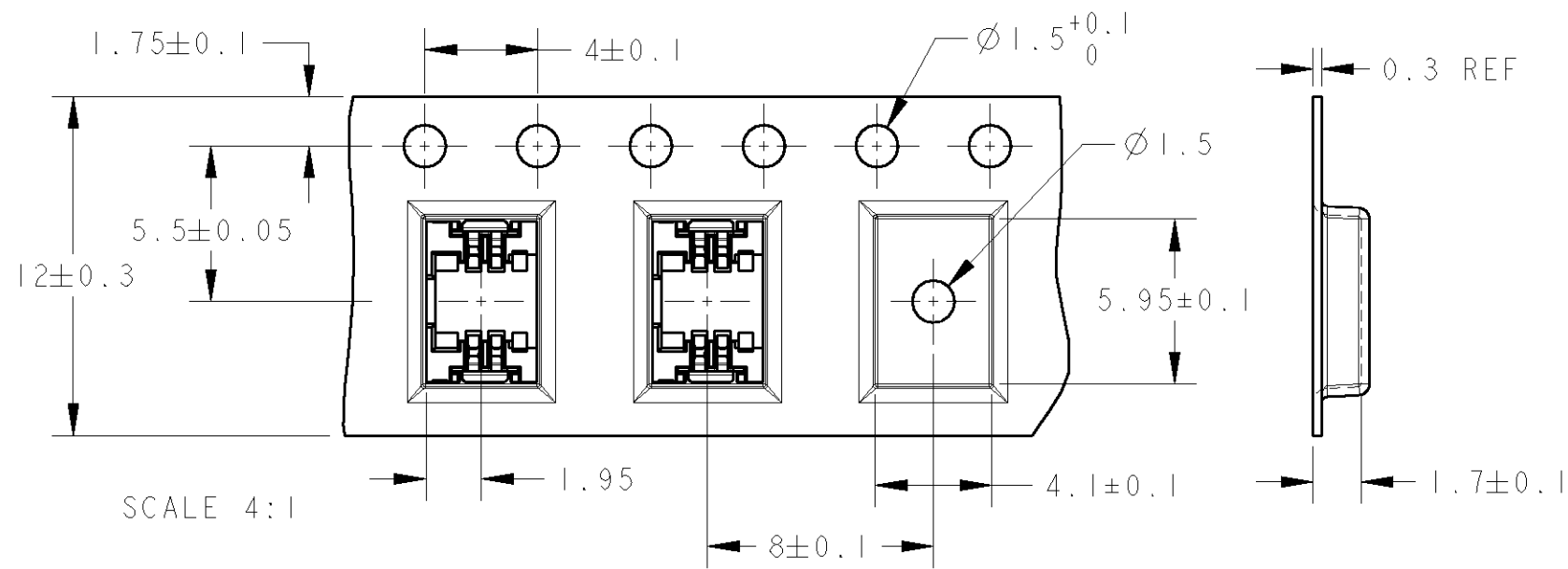
当図面に記載された内容はタイコエレクトロニクスアンプ(株)の所有する情報を開示しております。無断で複写・配布することを禁じます。
 THIS DRAWING AND INFORMATION ARE OWNED BY TYCO ELECTRONICS AMP K.K. AND PROHIBITED FROM BEING COPIED AND DISTRIBUTED WITHOUT NOTICE.

<small>THIS DRAWING IS A CONTROLLED DOCUMENT FOR TYCO ELECTRONICS CORPORATION IT IS SUBJECT TO CHANGE AND THE CONTROLLING ENGINEERING ORGANIZATION SHOULD BE CONTACTED FOR THE LATEST REVISION.</small>		DWN 08AUG2002 K. TANAKA CHK 08AUG2002 K. KODAIRA APVD 08AUG2002 K. KODAIRA	tyco Electronics Tyco Electronics AMP K.K. Kawasaki, Japan
DIMENSIONS: mm 	TOLERANCES UNLESS OTHERWISE SPECIFIED: 0 PLC ±0.2 1 PLC ±0.2 2 PLC ±0.2 3 PLC ±0.2 4 PLC ±0.2 ANGLES ±2	PRODUCT SPEC 108-5822 APPLICATION SPEC 114-5357 WEIGHT -	NAME SLP CONNECTOR 2POS 0.8mm PITCH BOARD CONNECTOR SIZE A3 CAGE CODE 00779 DRAWING NO C-1612534 RESTRICTED TO -
MATERIAL -	FINISH -	CUSTOMER DRAWING	SCALE NTS SHEET 1 OF 2 REV E2

当図面に記載された内容はタイコエレクトロニクスアンプ(株)の所有する情報を開示しております。無断で複写・配布することを禁じます。

THIS DRAWING AND INFORMATION ARE OWNED BY TYCO ELECTRONICS AMP K.K. AND PROHIBITED FROM BEING COPIED AND DISTRIBUTED WITHOUT NOTICE.

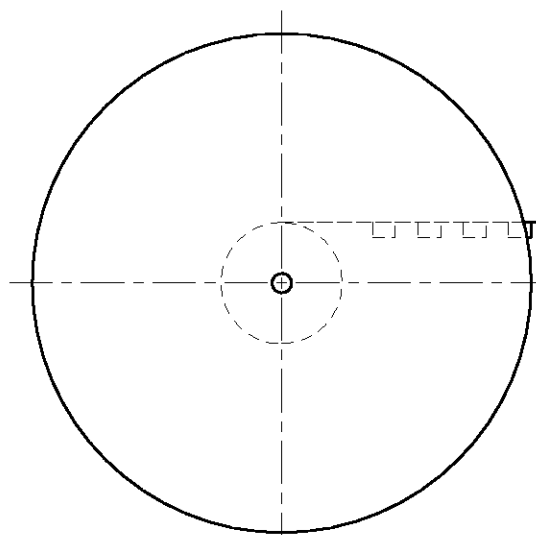
LOC	DIST	REVISIONS					
		P	LTR	DESCRIPTION	DATE	DWN	APVD
J	-	-	-	SEE SHEET 1	-	-	-



SCALE 4:1

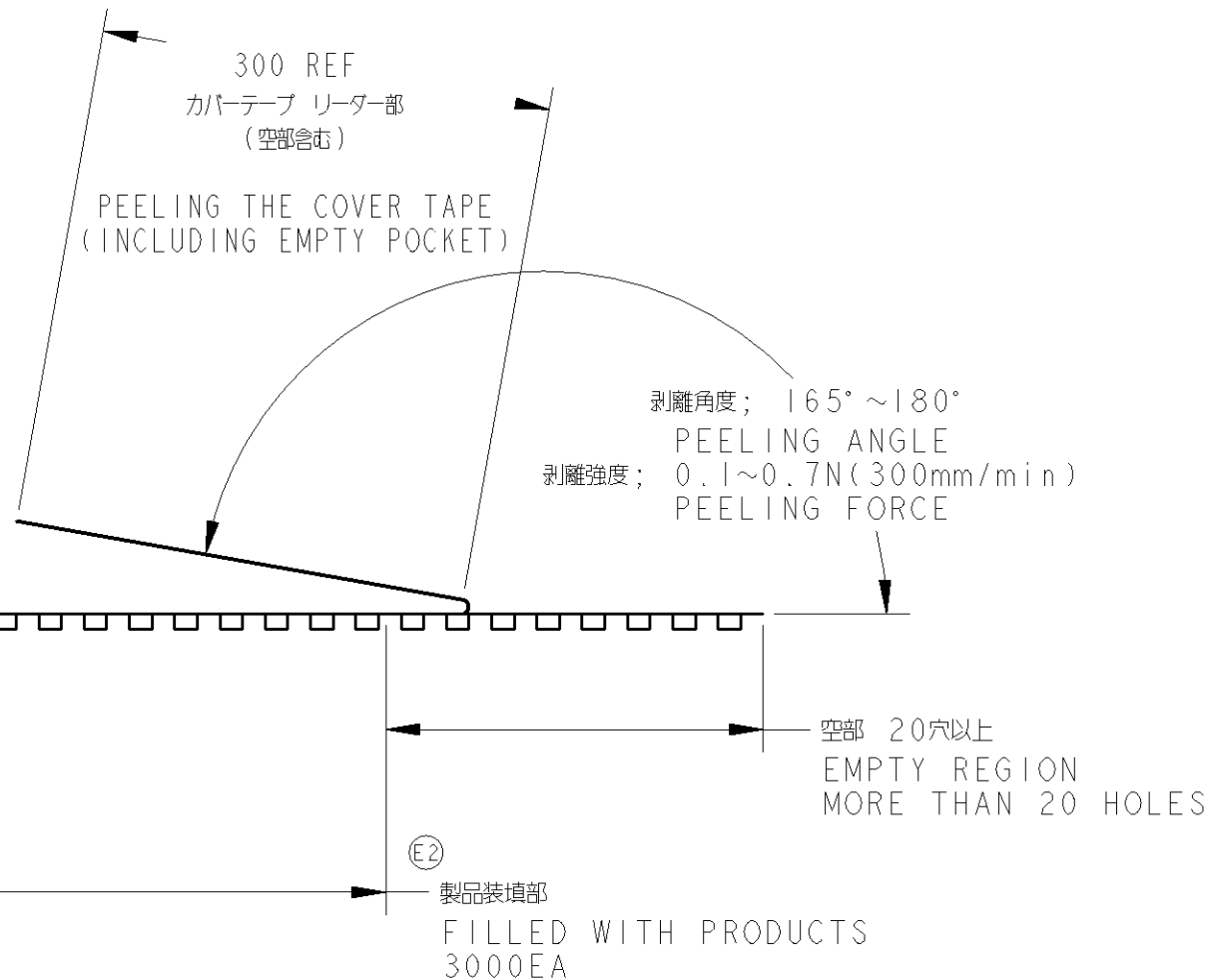
Ø80
フランジコア径
FRANGE CORE DIAMETER

Ø330
リール外径
REEL DIA.



SCALE 1:5

EMPTY REGION



THIS DRAWING IS A CONTROLLED DOCUMENT FOR TYCO ELECTRONICS CORPORATION IT IS SUBJECT TO CHANGE AND THE CONTROLLING ENGINEERING ORGANIZATION SHOULD BE CONTACTED FOR THE LATEST REVISION.

DIMENSIONS: mm		TOLERANCES UNLESS OTHERWISE SPECIFIED:	
		0 PLC	±0.2
		1 PLC	±0.2
		2 PLC	±0.2
		3 PLC	±0.2
		4 PLC	±0.2
MATERIAL -		FINISH -	

DWN	SEE SHEET 1
CHK	SEE SHEET 1
APVD	SEE SHEET 1
PRODUCT SPEC	SEE SHEET 1
APPLICATION SPEC	SEE SHEET 1
WEIGHT	-
CUSTOMER DRAWING	

tyco Electronics		Tyco Electronics AMP K.K. Kawasaki, Japan	
NAME SLP CONNECTOR 2POS 0.8mm PITCH BOARD CONNECTOR			
SIZE	CAGE CODE	DRAWING NO	RESTRICTED TO
A3	00779	C=1612534	-
SCALE NTS		SHEET 2 OF 2	REV E2