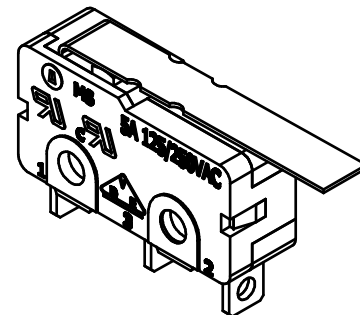
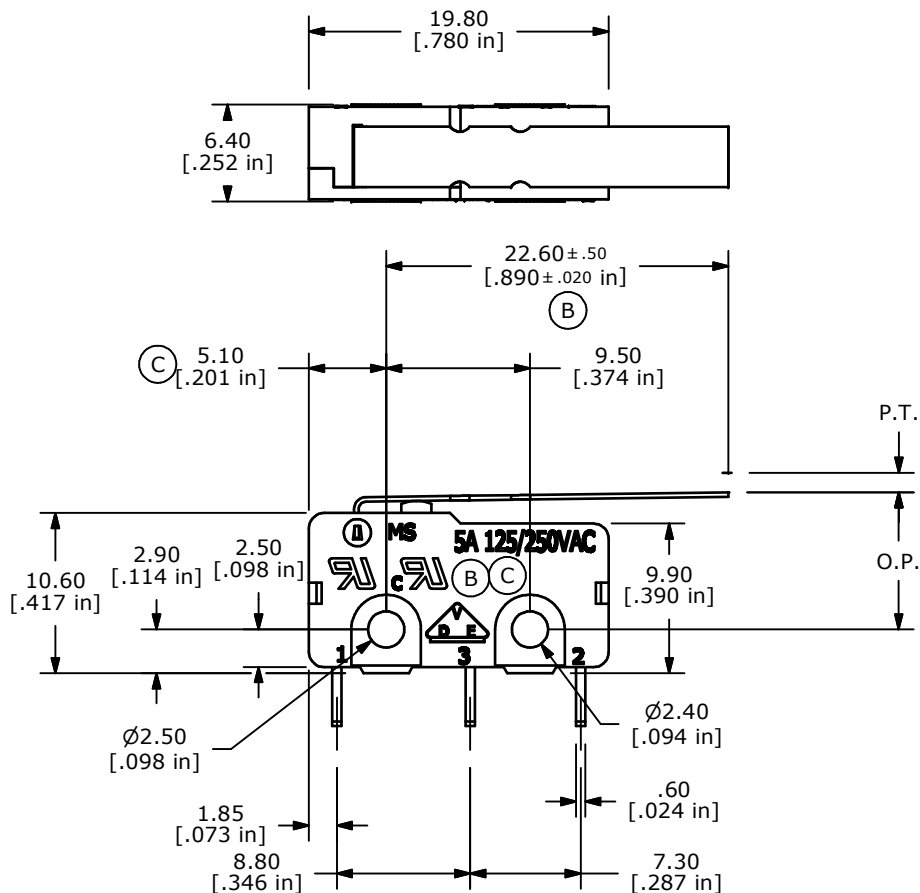
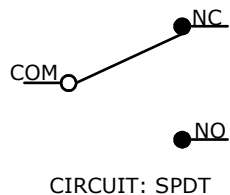
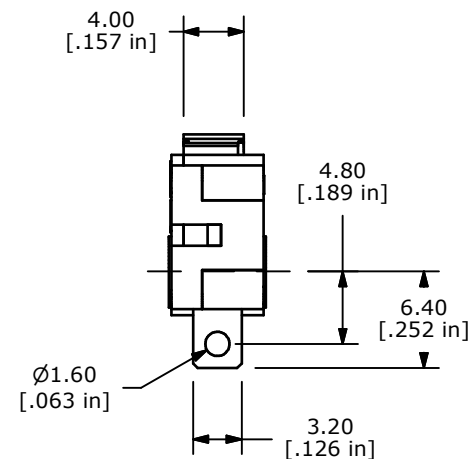


O.P. (MM)	P.T. (MM)
9.5 ±0.8	4.2 MAX

O.P. = OPERATING POINT  
P.T. = PRE-TRAVEL



ISOMETRIC



- NOTES:
1. ALL DIMENSIONS IN MM [INCH]
  2. GENERAL TOLERANCE: X.X±0.4  
X.XX±0.25
  3. RATING: 5A @125/250VAC UL, CUL, VDE, APPROVED
  - ▲ 4. OPERATING FORCE: 10± 5 GRAMS
  5. OPERATING TEMP: -25°C TO 85°C
  6. ELECTRICAL LIFE: 50,000 CYCLES MIN. (B)
  7. MECHANICAL LIFE: 1,000,000 CYCLES TYP. (B)
  8. INSULATION RESISTANCE: 100 MΩ
  9. DIELECTRIC STRENGTH: 1000VAC 1 MINUTE (INITIAL VALUE)
  10. CONTACT RESISTANCE: 100 MILLI-OHMS MAX.
  11. 2002/95/EC (ROHS) COMPLIANT
  12. ▲ DENOTES CRITICAL PARAMETER.

C	15665	FRONT TO 5A MARKINGS , DIM FROM 5.20	1/5/06	PH
B	15596	CHANGES NOTED	12/8/08	PH
A	15328	RELEASED FOR PRODUCTION	9/26/05	PH
REV	PCR NO	DESCRIPTION	DATE	BY



TITLE MS0850503F010S1A

SCALE	DATE	DR	DWG	REV
2:1	9/26/2005	PH	Q970036	C

THE INFORMATION CONTAINED IN THIS DOCUMENT IS PROPRIETARY TO E-SWITCH AND IS NOT TO BE COPIED OR TRANSFERRED