

NEW

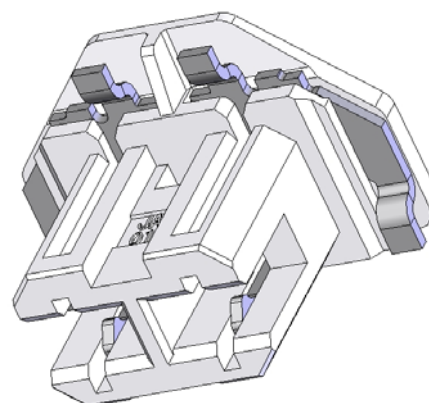
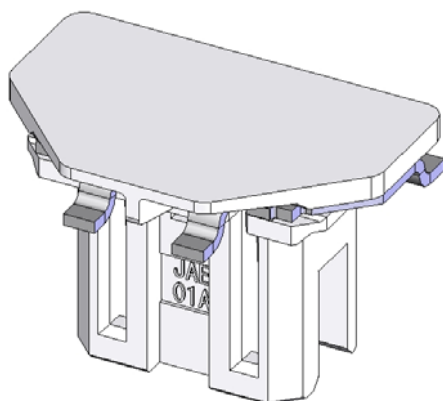
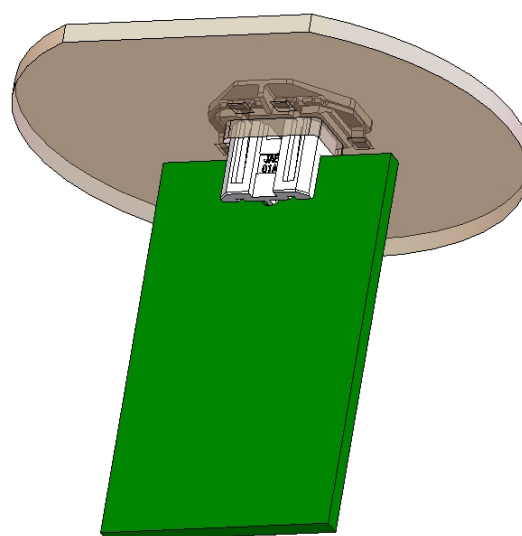
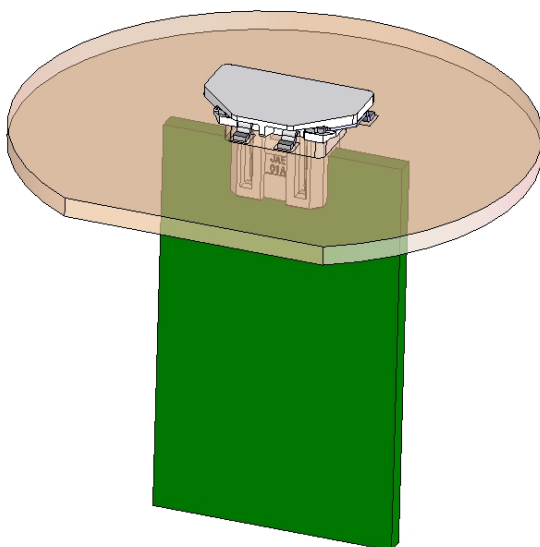

LED Power Supply Card Edge Type Connector

CONNECTOR

ES3 Series
(cULus Certified Product)

MB-0221-3

July 2012

RoHS Compliant

ES3B002WF1


The ES3 Series is a card edge connector for LED lighting power supply that enables direct connection of the converter board and the LED mounting board.

This connector is a 2-position card edge type ideal for LED bulb and LED lighting devices.

The ES3 Series connectors are available in embossed tape, compatible with SMT mounting.

The connector allows reflow solder mounting to the LED mounting board to occur at the same time that other parts like LED and SMT components are mounted.

Features

- Low-profile 1.6mm mounting height, designed with consideration for light shielding.
- Insulator is made of white LCP for heat and light resistance.
- Direct connection of converter board and LED mounting board allows for reduced assembly work time.
- Cable-less connection makes reduction in the number of parts possible.
- SMT type, can be mounted at the same time as other components to the LED mounting board.
- cULus Certification: File No. E67741 

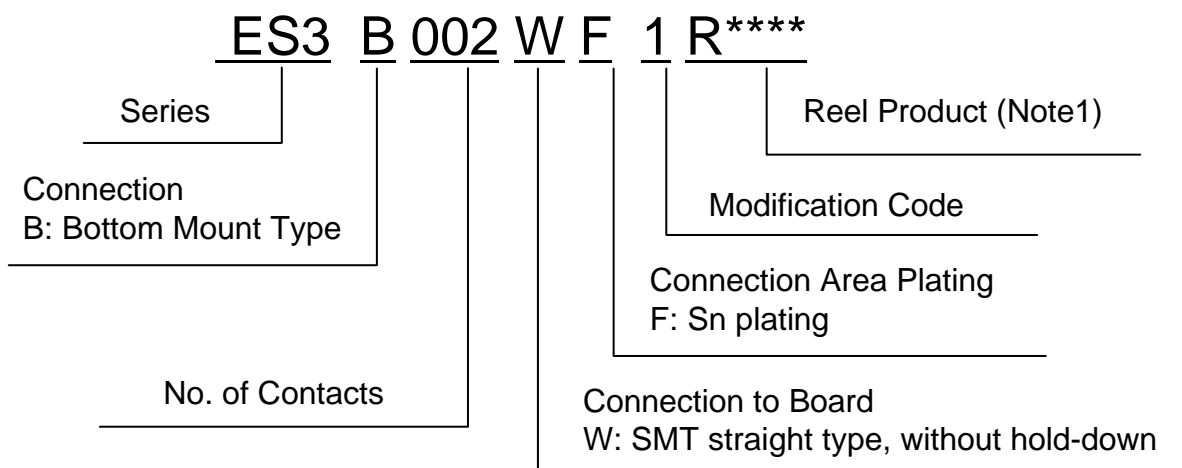
General Specifications

- No. of Contacts: 2 pos.
- Contact Resistance: 60m Ω max. (initial)
- Dielectric Withstanding Voltage: AC 500Vr.m.s (per minute)
- Durability: 20 mating cycles
- Board Insertion Force: 30N max.
- Rated Current: AC, DC 1A
- Rated Voltage: AC, DC 200V
- Insulation Resistance: 10M Ω min. (after test)
- Operating Temperature: -40 to+105 Deg. C

Materials and Finishes

Component	Material / Finish
Insulator	White LCP
Contact-R	Copper alloy / Sn plating
Contact-L	Copper alloy / Sn plating

Ordering Information



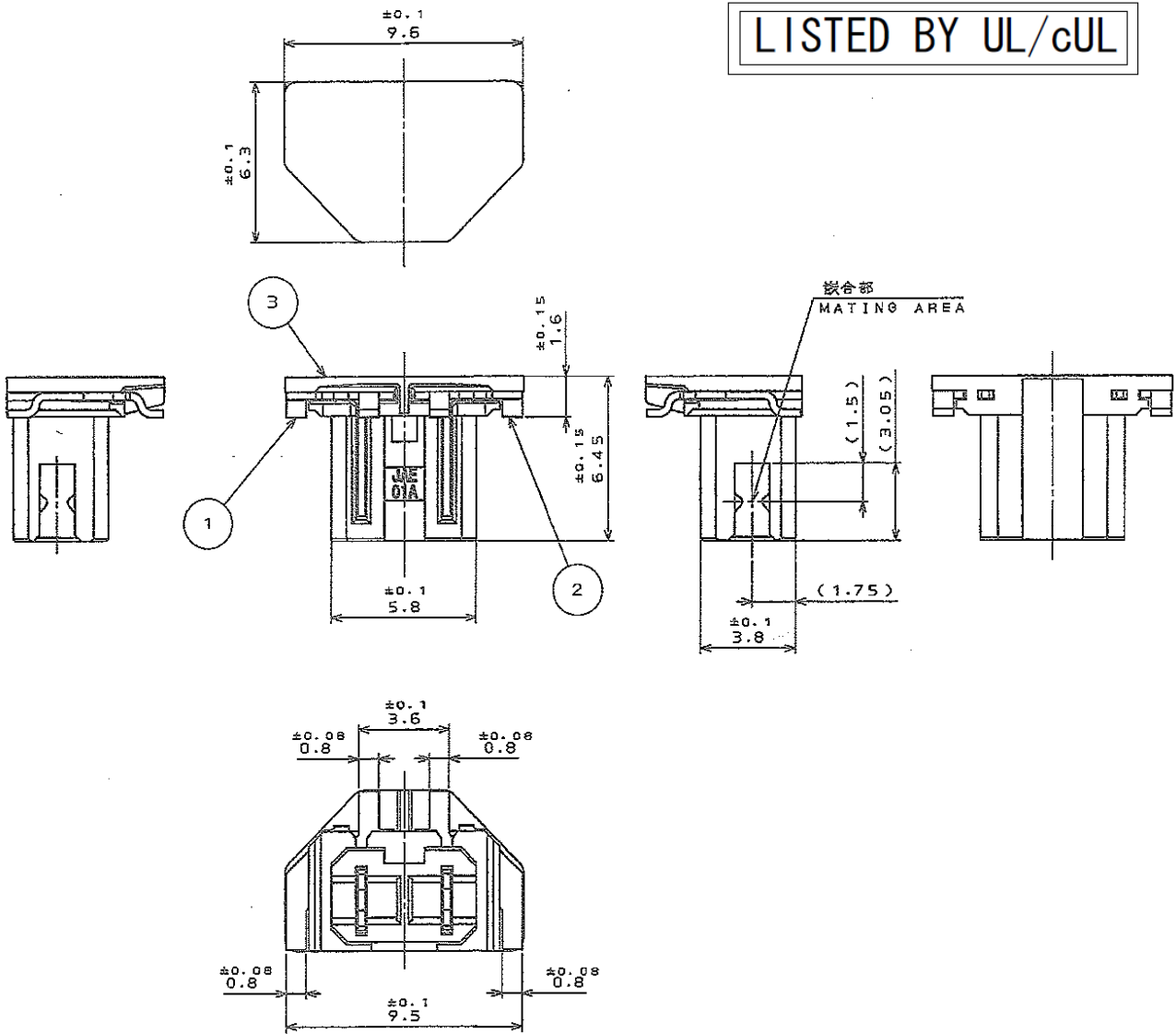
Note1) An embossed tape reel contains 1,000 pieces.

Drawing

Part Number	ES3B002WF1
SJ Drawing	SJ110395

Unit: mm

LISTED BY UL/cUL



3	INSULATOR インシュレータ	1	LOP		COLOR: WHITE
2	CONTACT-R コンタクト-R	1	COPPER ALLOY 銅合金	LEAD-FREE TIN PLATING	
1	CONTACT-L コンタクト-L	1	COPPER ALLOY 銅合金	LEAD-FREE TIN PLATING	
符号 NO.	名称 DESCRIPTION	個数 QTY.	材料 MATERIAL	仕上 FINISH	備考 REMARKS

