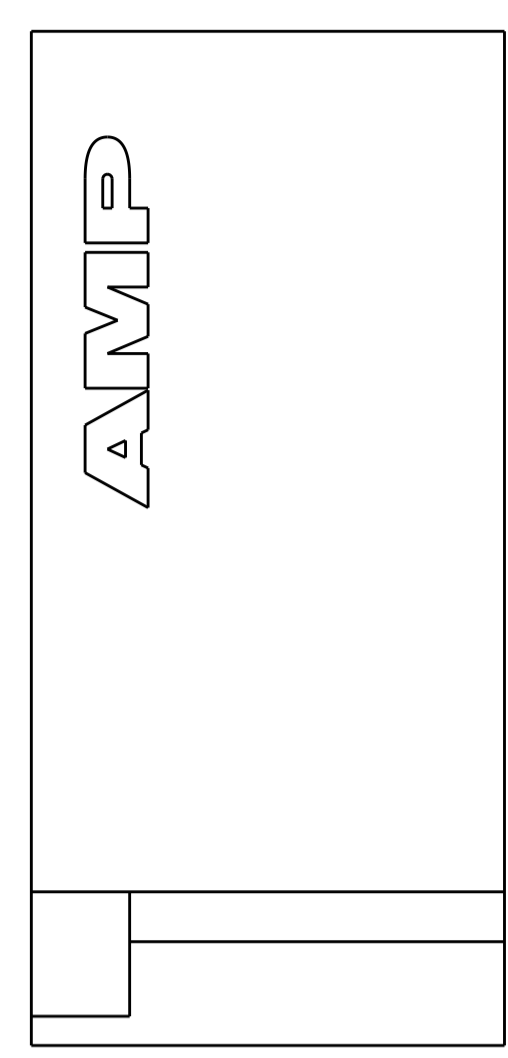
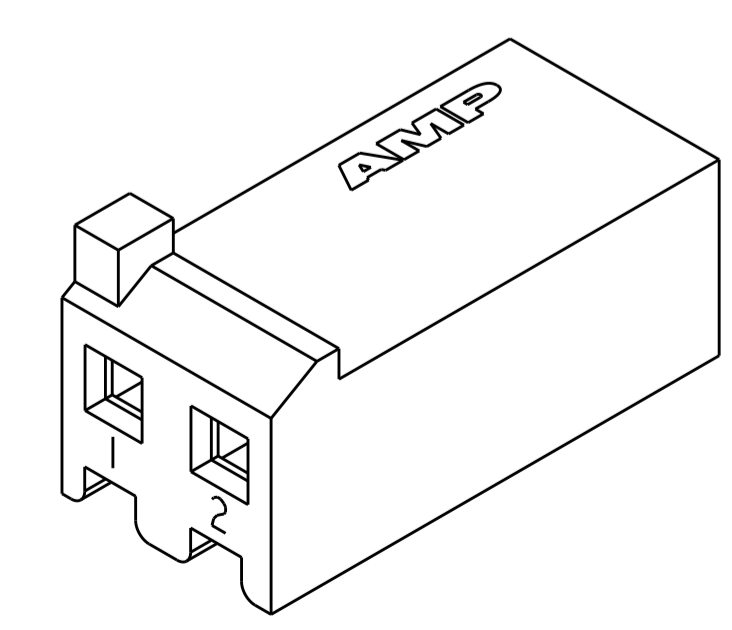
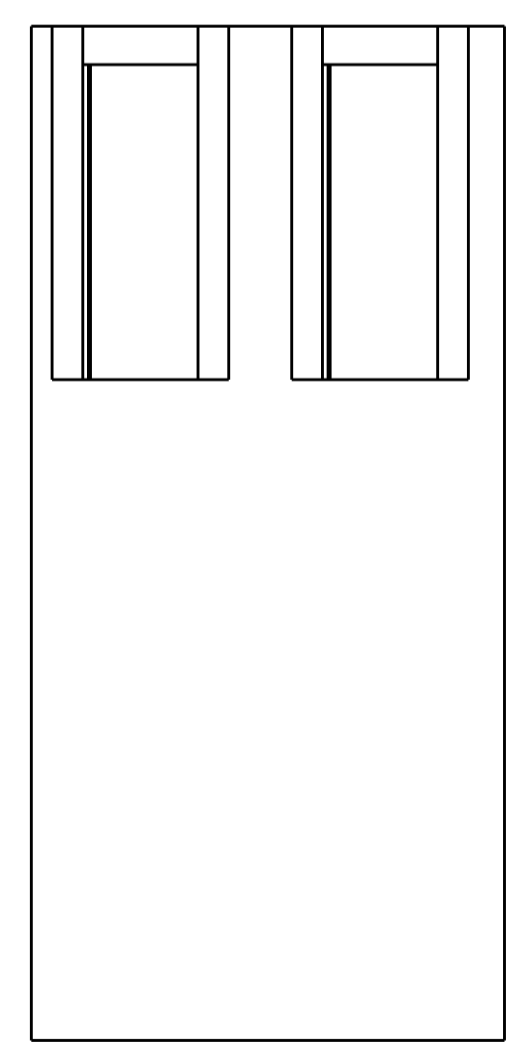
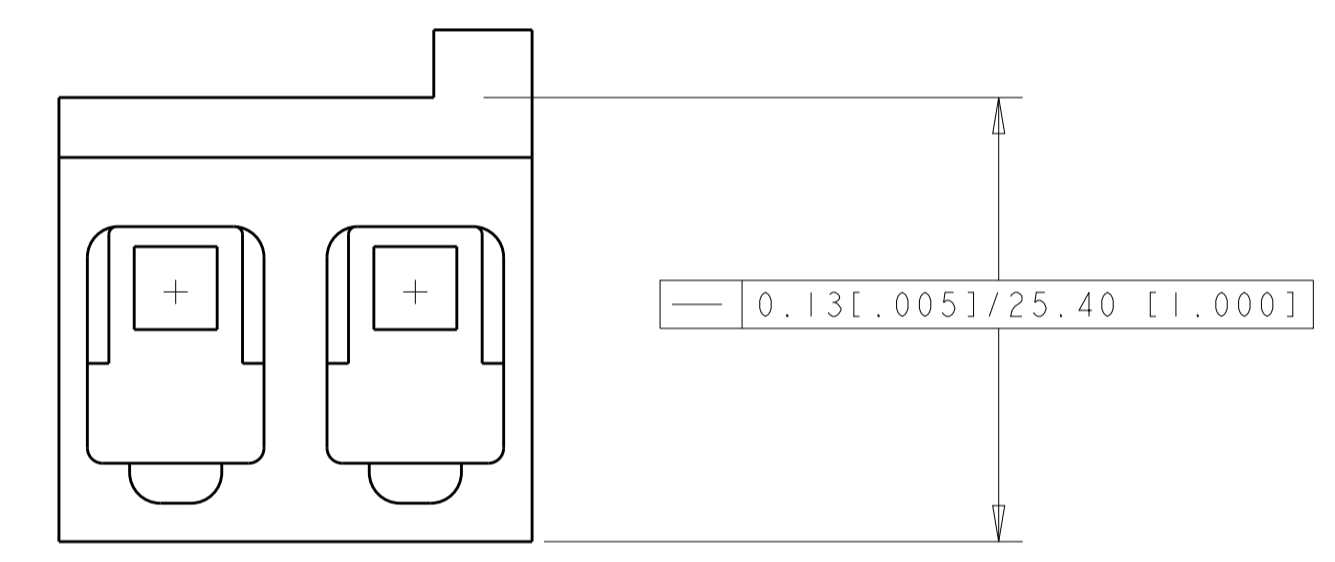
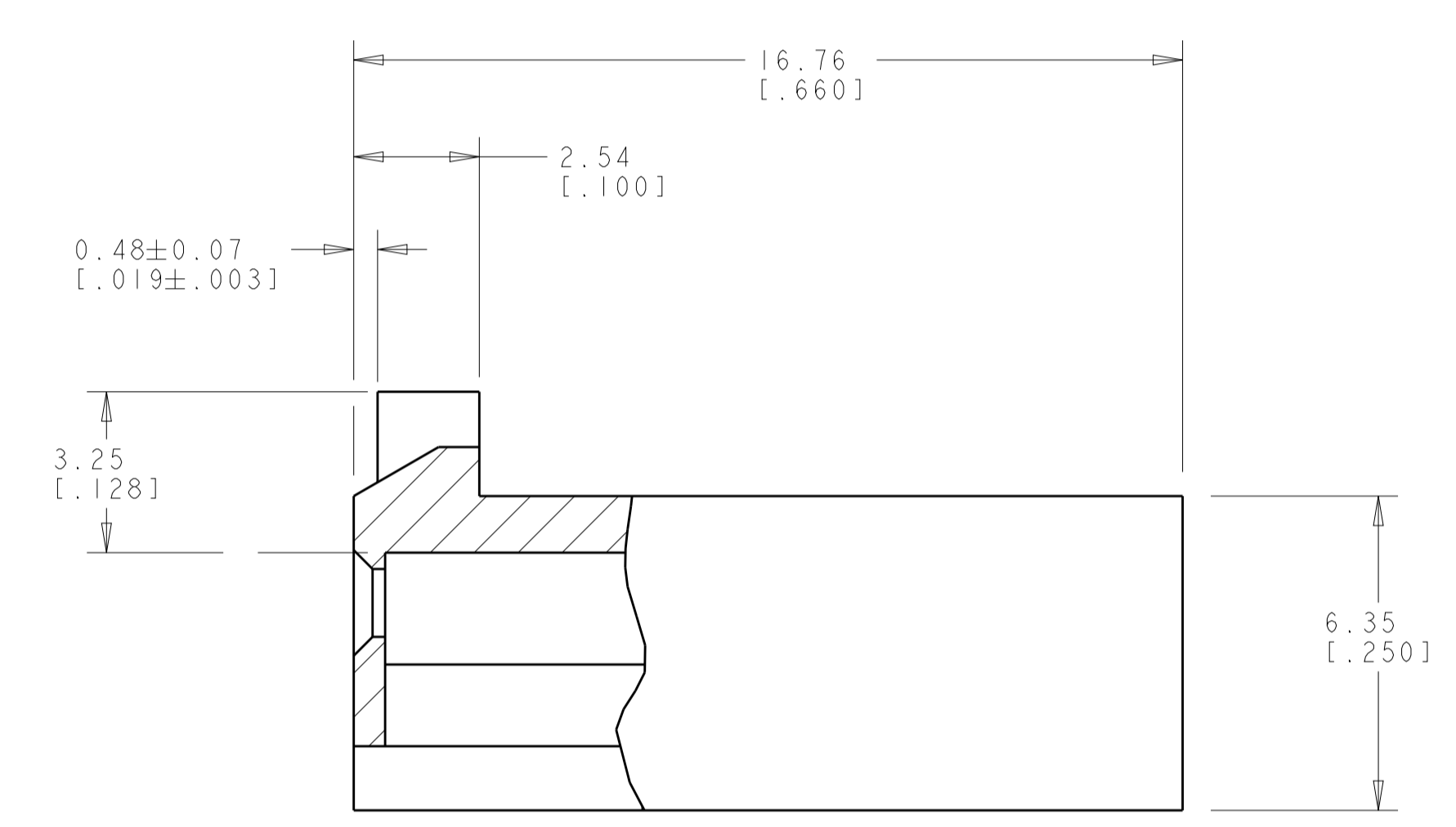
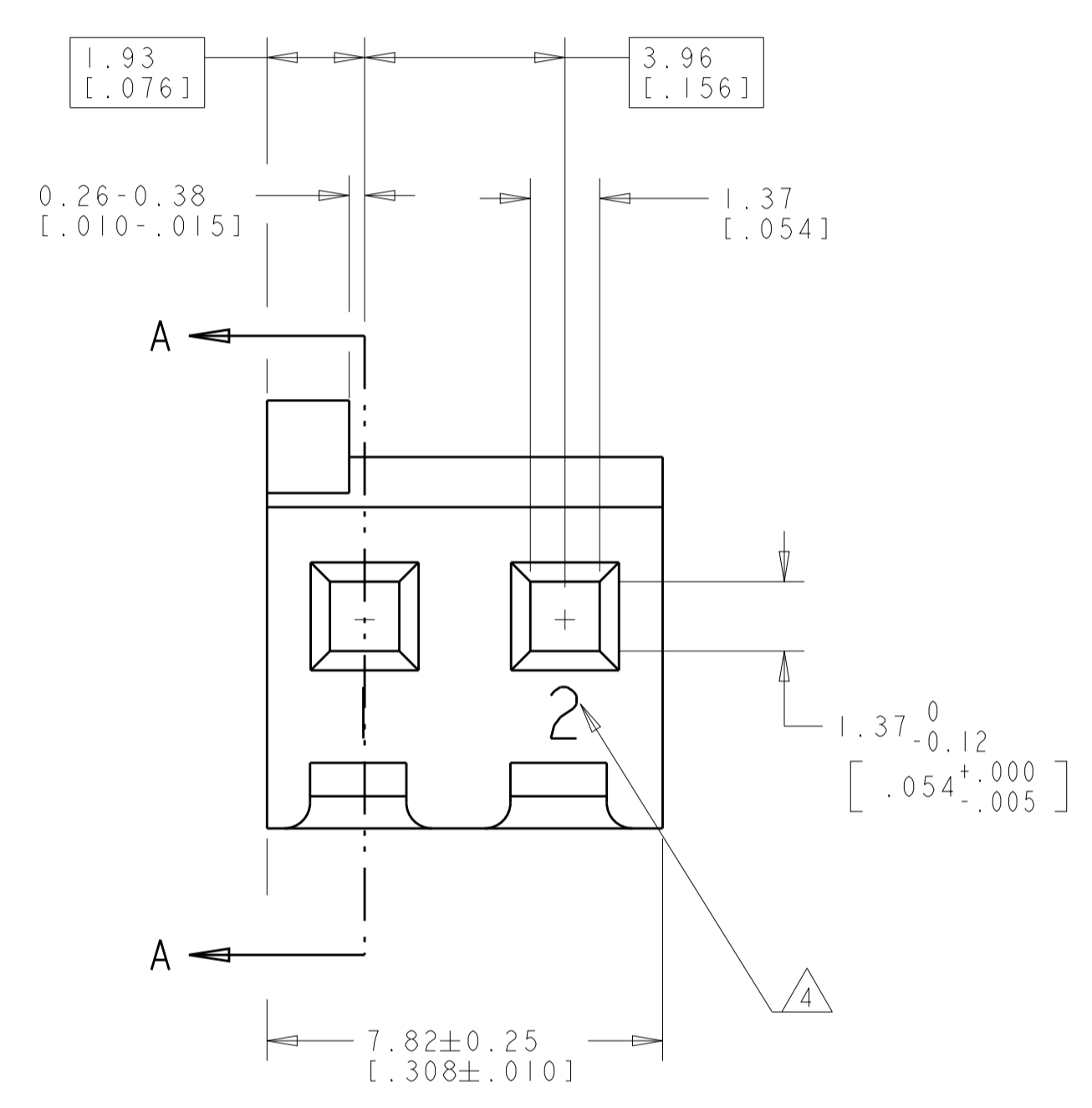


| LOC | DIST | REVISIONS | | | | | |
|-----|------|-----------|-----|---------------------------|-----------|-----|------|
| | | P. | LTN | DESCRIPTION | DATE | DWN | APVD |
| CM | 00 | A | | REVISED PER ECO-12-007810 | 28JUL2012 | KH | SM |



1. UNIT ACCEPTS 1.14 [.045] SQUARE OR ROUND POST.
2. UNIT ACCEPTS STANDARD SL-156 CONTACTS.
3. UNIT ACCEPTS KEYING PLUG 640254-1 AND KEYING PIN 640255-1.
4. CIRCUIT I.D. NUMBER(S) TO BE LOCATED SEQUENTIALLY
5. DIMENSION IN BRACKETS ARE IN INCHES.



3-DIMENSIONAL MODEL
SCALE 5:1

| | |
|----------------|-------------|
| 2 | 647663-2 |
| NO OF CIRCUITS | PART NUMBER |

| | | | | |
|-------------------------------------------------------------------------------------|--|---------------------------------|-------------------------|-----------------------------------------------------------------------------------------------------|
| THIS DRAWING IS A CONTROLLED DOCUMENT. | | DWN K. WHITAKER 14-JAN-04 | NAME | STE TE Connectivity HOUSING, WITH LOCKING RAMP, AND POLARIZING TAB, SPECIAL, SL-156 |
| DIMENSIONS: mm [INCHES] | | CHK J. ELLIS 14-JAN-04 | PRODUCT SPEC | |
| TOLERANCES UNLESS OTHERWISE SPECIFIED: | | APVD J. ELLIS 14-JAN-04 | APPLICATION SPEC | |
| 0 PLC ± 1 PLC ± 2 PLC ±0.13 [.005] 3 PLC ± 4 PLC ± ANGLES ±40° 30' | | FINISH | RESTRICTED TO | |
| MATERIAL NYLON, UL 94V-0 NATURAL | | WEIGHT | SIZE A100779C=647663 | SCALE 8:1 SHEET 1 OF 1 REV A |
| CUSTOMER DRAWING | | | | |