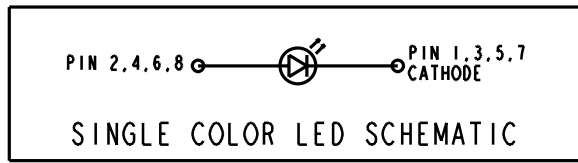
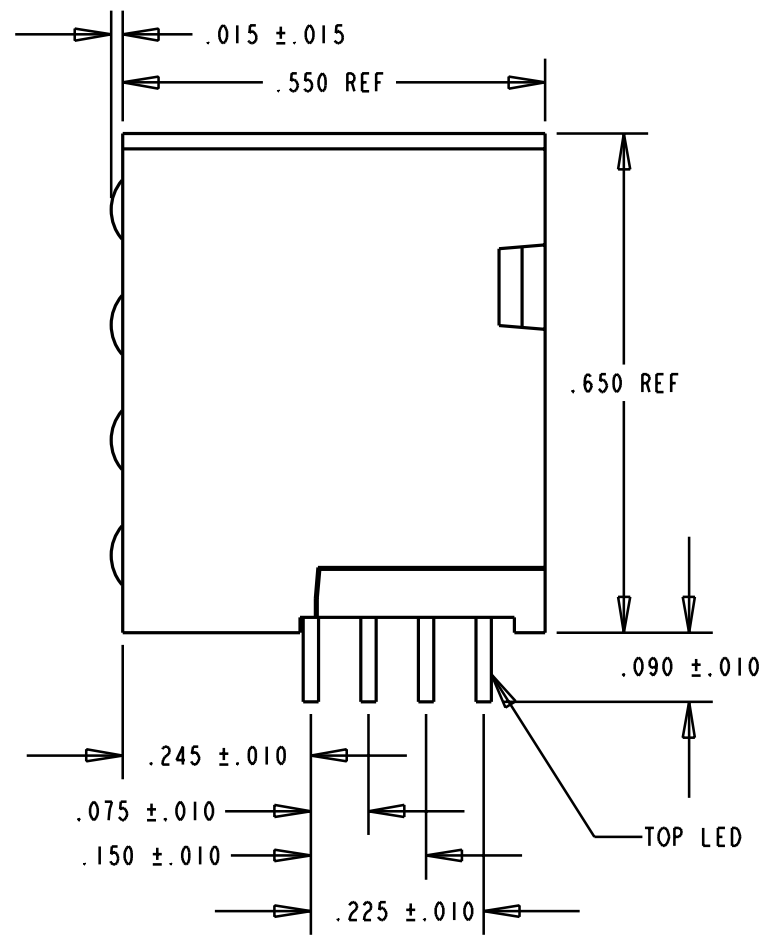
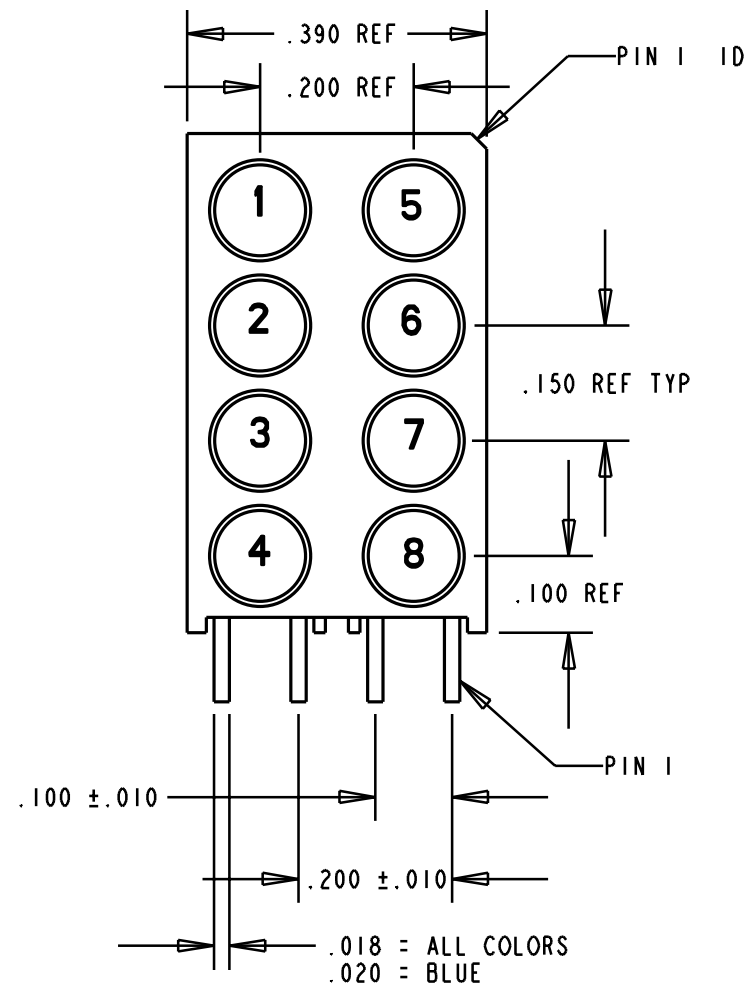


LED COLOR			
POS. 1	GREEN	POS. 5	BLUE
POS. 2	GREEN	POS. 6	YELLOW
POS. 3	YELLOW	POS. 7	YELLOW
POS. 4	GREEN	POS. 8	YELLOW



REV.	ECN NO.	REVISIONS	DRN.	CKD.	APP.	DATE
A		NEW RELEASE	AV			

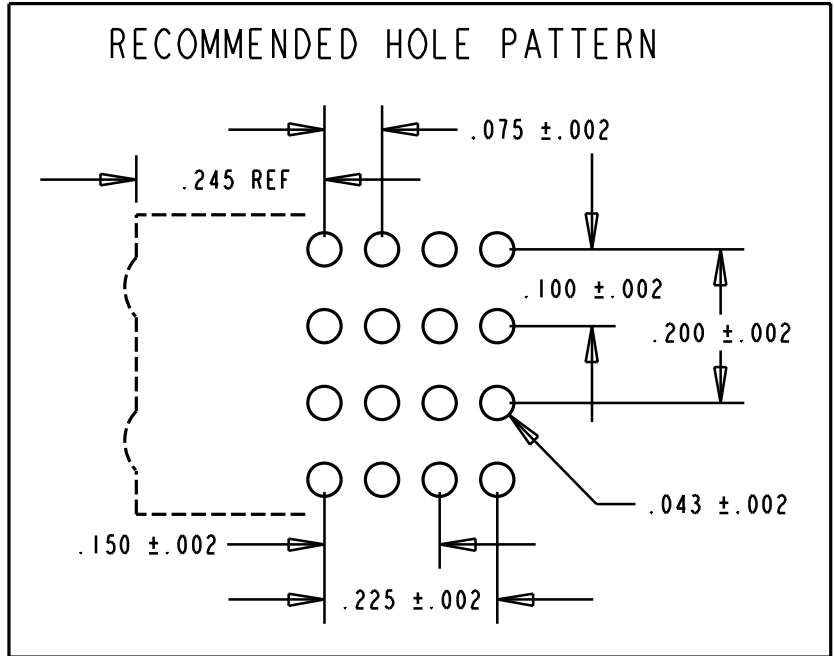
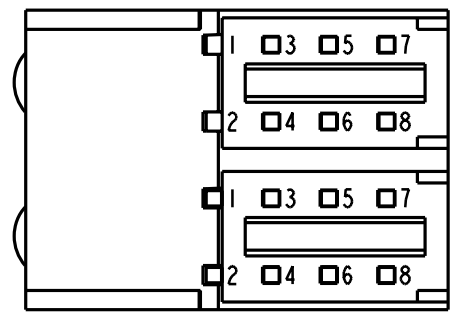


NOTES:

- LEADS TO FIT INTO HOLES SPACED AS PER HOLE PATTERN
- LEADS TO BE FREE OF DEFORMATION AFTER BENDING AND CUTTING
- PIN NUMBERS FOR REFERENCE ONLY, DESIGNATION NON-EXISTENT ON PART
- LED LEAD DIMENSIONS SHOWN ARE MEASURED AT HOUSING EXIT
- PACKAGING =  
BLOCKS ARE PLACED IN CLEAR ANTISTATIC TRAY  
100 BLOCKS PER TRAY
- DIALIGHT PART NUMBER: 568-0008-807

OPERATING CHARACTERISTICS AT 25°C AMBIENT						
CHARACTERISTICS	LED COLOR	MIN	TYP	MAX	UNITS	TEST CONDITIONS
LUMINOUS INTENSITY	BLUE	6.3		20	mcd	I <sub>r</sub> = 10 mA
	GREEN	32	50			
	YELLOW	10		50		
FORWARD VOLTAGE	BLUE		3.5	4.2	V	I <sub>r</sub> = 10 mA
	GREEN		2.1	2.8		
	YELLOW		2.1	2.8		
PEAK WAVELENGTH	BLUE		428		nm	
	GREEN		565			
	YELLOW		585			

ABSOLUTE MAXIMUM RATING AT 25°C AMBIENT		UNITS	BLUE	GREEN	YELLOW
POWER DISSIPATION		mW	100	100	60
CONTINUOUS FORWARD CURRENT		mA	20	30	20
LEAD SOLDERING TEMPERATURE, 5 SEC., 1/16" FROM BODY		°C	260	260	260
OPERATING TEMPERATURE		°C	-40 TO +100	-55 TO +100	-55 TO +100
STORAGE TEMPERATURE		°C	-40 TO +100	-55 TO +100	-55 TO +100



THIS DRAWING AND THE CONTENTS HEREIN ARE CONFIDENTIAL AND THE SOLE PROPERTY OF DIALIGHT. REPRODUCTION OF THIS DRAWING OR CONSTRUCTION OF ANY PARTS WITHIN THIS DRAWING ARE FORBIDDEN WITHOUT THE WRITTEN CONSENT OF DIALIGHT.

SCALE 4:1

ALL DIM'S IN: INCHES

TOLERANCES: UNLESS OTHERWISE SPECIFIED

FRACTIONS: ±1/64

DECIMALS (.XX): ±.020

DECIMALS (.XXX): ±.015

DECIMALS (.XXXX): ±.010

ANGLES: ±1°

FINISH:

FSCM 83330

DRAWING NUMBER: C-16682

REV: A

TITLE: 4X2 CBI ARRAY BLOCK

MATERIAL:

**Dialight** 1913 ATLANTIC AVE. MANASQUAN, N.J. 08736

SHEET OF FAMILY TABLE: