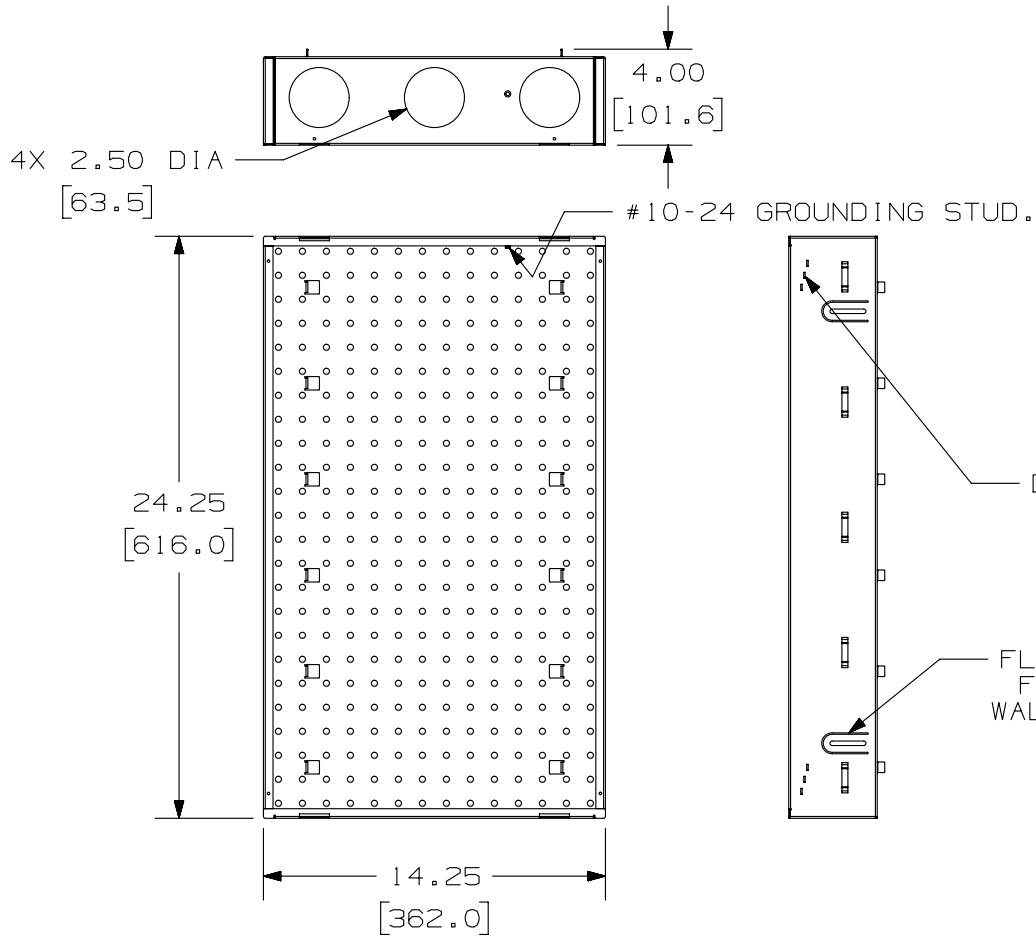


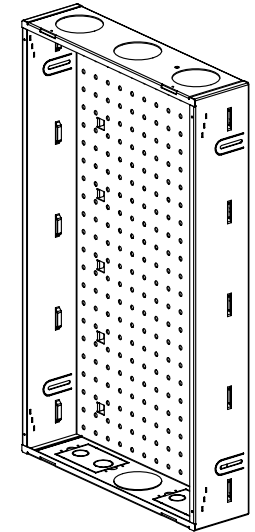
THIS COPY IS PROVIDED ON A RESTRICTED BASIS AND IS NOT TO BE USED IN ANY WAY DETRIMENTAL TO THE INTERESTS OF PANDUIT CORP.



PANDUIT P/N	WEIGHT
MS24B	8.2 LB/EACH PC (3719.5 g/EACH PC)

NOTES:

- SEE CURRENT CATALOG FOR ADDITIONAL PART NUMBER SUFFIXES TO INDICATE COLOR AND OR PACKAGE QUANTITY.
- SEE CATALOG FOR COMPLETE LIST OF PARTS APPLICABLE FOR USE WITH THIS PART.
- DIMENSIONS IN [] ARE IN METRIC.
- PART INCLUDES:
 - 1- ENCLOSURE BASE
 - 1- PAINT/MUD GUARD
 - 1- 36" EDGE GROMMET



PART NUMBER		MS24B	
TITLE			
MEDIA DISTRIBUTION 24" ADVANCED BASE		CUSTOMER DRAWING	
ITEM REVISION NAME		M02695AJ/02	
DATASET FILE NAME		M02695AJ_DC98/02B	
UNLESS OTHERWISE SPECIFIED, DIMENSIONAL TOLERANCES ARE: IN [mm]		MATERIAL:	
.x ± .xx ± .03 [.8]		18 GAGE C.R.S.	
.xxx ± .010 [.3]		DRAWING NUMBER:	
ANGLES ±		02695-98	
THIRD ANGLE PROJECTION		SHT 1 OF 1	
DRAWN BY	DATE	CHK	SCALE
JSP	11-19-07	REFR	
REV	DATE	BY	CHK
1	4-30-14	MDJR	REFR
R	11-18-07	JSP	REFR
DESCRIPTION		ECN	
A. UPDATED TITLE BLOCK		02695-98	
RELEASED TO PRODUCTION		02695-98	

D10100DA/14