

DO NOT SCALE ALL DIMENSIONS ARE FOR REFERENCE ONLY

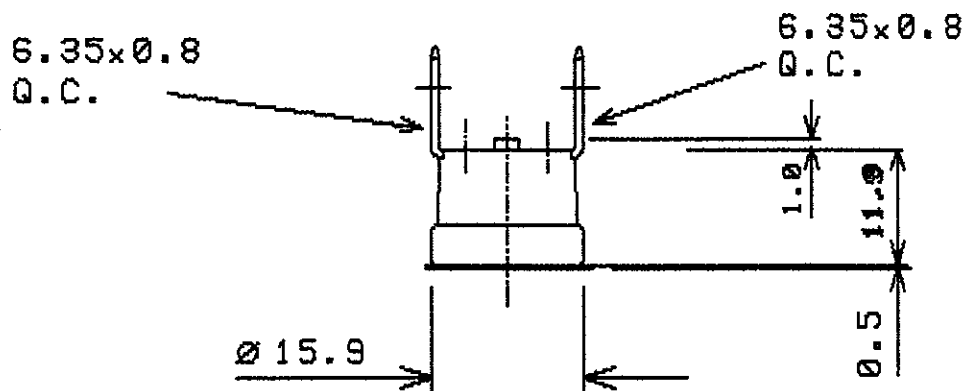
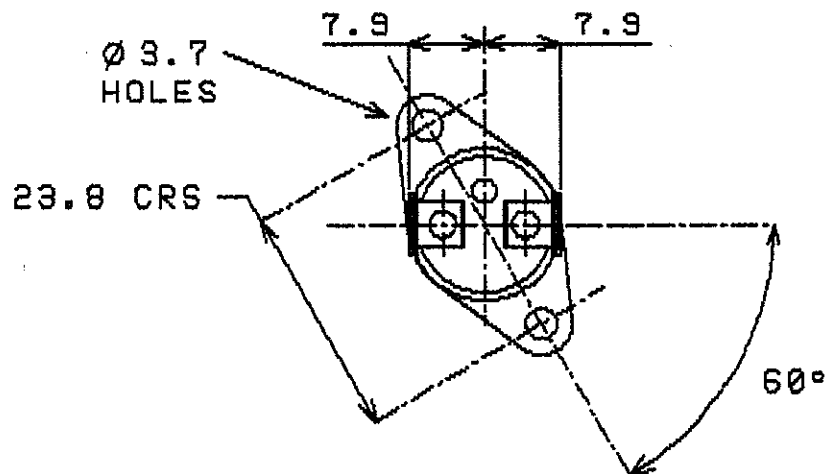
OPERATING CRITERIA

VOLTS: 250      AMPS: 13      HZ: 50/60

OPERATING TEMPS. DEG.C

OPEN: 70 ± 3

CLOSE: 55 ± 5



ISSUE	A								
MOD No	2259								
DATE	7/98								

CODING REQUIREMENTS

COLOUR: LASER CODE  
L70C 82 195 XXX

(XXX = DATE CODING)

CAP:                    MAT'L:  
BRK'T: 9261A18    MAT'L: ST/STEEL  
PLATING:  
TERMINAL: T147    : T147  
MATERIAL: BRASS    : BRASS  
PLATING: NONE      : NONE

ELMWOOD DEVICE & UNIQUE PART No  
2455R-82-195

ELMWOOD DRG No  
880005

ISSUE  
A



ELMWOOD  
SENSORS LTD

DATE OF ISSUE STAMP

7 JUL 1998