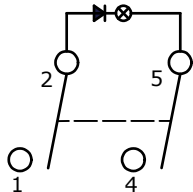
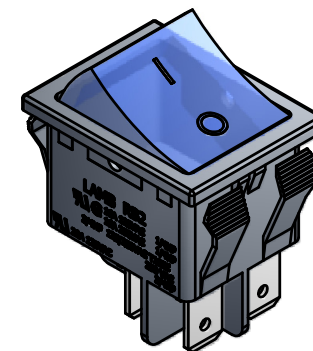
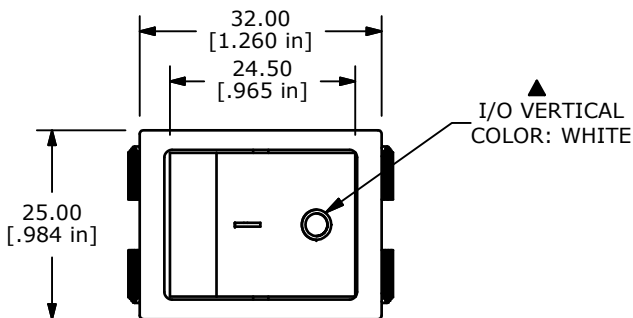


PANEL CUTOUT

PANEL THICKNESS	(x)
0.75 - 1.25	30.0
1.25 - 2.00	30.2
2.00 - 3.00	30.5



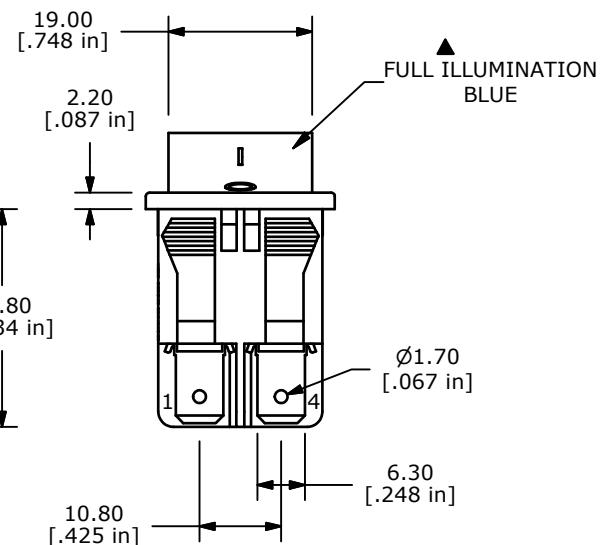
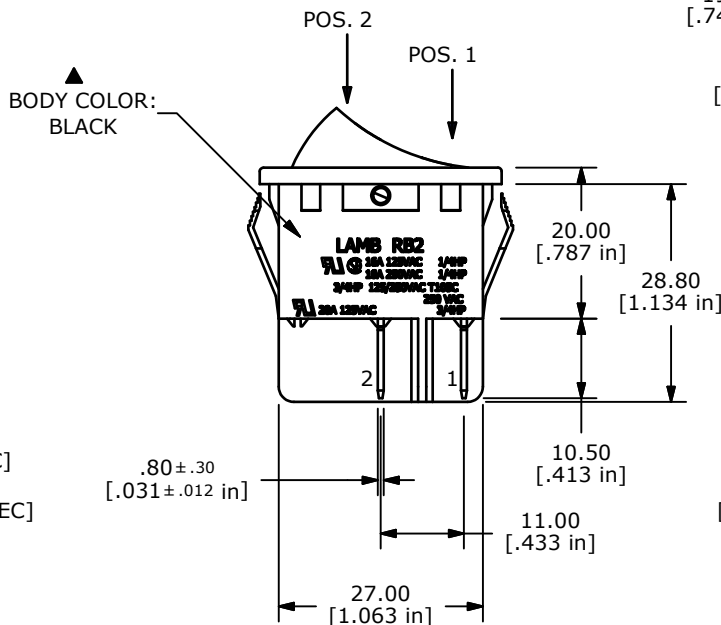
CIRCUIT: DPST



SWITCH FUNCTION	
POS. 1	POS. 2
OFF	ON
OPEN	2-1, 5-4

NOTE:

- DIMENSIONS IN MM [INCH]
- GENERAL TOLERANCE: X.X = ± 0.4
X.XX = ± 0.25
- TERMINAL NUMBERS FOR REF ONLY
- CONTACT MATERIAL: SILVER
- CONTACT RATINGS: 16A @ 125VAC [cURus]
16A @ 250VAC [cURus]
16(8)A 250V~ 1E4 T125 [VDE, ENEC]
10(2)A 250V~ 5E4 [VDE, ENEC]
16(4)A 250V~ 1E4 T85/55 [VDE, ENEC]
- CONTACT RESISTANCE: 20mΩ MAX. INITIAL
- INSULATION RESISTANCE: 100MΩ MIN. @ 500VDC
- DIELECTRIC STRENGTH: 1,000VAC FOR 1 MINUTE
- ELECTRICAL LIFE: 6,000 CYCLES [cURus]
- OPERATING TEMPERATURE: -20°C TO 55°C [cURus]
- ▲ DENOTES CRITICAL PARAMETER
- 2002/95/EC (ROHS) COMPLIANT
- ILLUMINATION: NEON LAMP
- ▲14. ILLUMINATION VOLTAGE: 250V



B	20502	REVISE CONTACT RATING	3/2/2012	MM
A	20352	RELEASE FOR PRODUCTION	12/21/11	BGL
REV	PCR NO	DESCRIPTION	DATE	BY

THE INFORMATION CONTAINED IN THIS DOCUMENT IS PROPRIETARY TO E-SWITCH AND IS NOT TO BE COPIED OR TRANSFERRED

TITLE RB242D1021-147				
SCALE 1:1	DATE 12/21/2011	DR BGL	DWG 14-RB242D1021147	REV B