

REFERENCE SPECIFICATIONS

-NFC 93425 (in compliance with HE 507)

PHYSICAL CHARACTERISTICS

- INSULATOR MATERIAL: THERMOPLASTIC UL94V0
- CONTACT MATERIAL: BRASS(SIGNAL CONTACT)
BRASS (POWERS CONTACT)
- ACCESSORIES: BRASS
- SHELLS: STEEL

ELECTRICAL CHARACTERISTICS

- NOMINAL CURRENT: 7.5A (SIGNAL CONTACT)
30A or 40A (POWER CONTACT)
- CONTACT RESISTANCE: 7.3 m Ohms(SIGNAL and POWER)
- CONTACT/VOLTAGE : 1000 V
- CONTACT/GROUND : 1200 V
- INSULATION RESISTANCE: 5000 MOhms
- CLIMATIC CATEGORY: 55/125/21
TEMPERATURE RANGE -55°C TO +125°C
DAMP HEAT STEADY STATE 21 DAYS
SALT SPRAY 48 HOURS
- RETENTION AGAINST TORQUE: - Threaded insert: 0.7 N.m minimum
- Female screw : 0.5 N.m minimum

NOTE RoHS INFORMATION

- The "LF" products meet european union Directives and other country regulations as described in GS-22-008.
- The housing will withstand exposure to 260°C peak temperature for 3.5 seconds in a wave solder application with a 1.6mm minimum thick circuit board. See application notes/procedures if they are available.
- Termination plating spec:
 - Signal contacts: Ni + Gold
 - Power contacts: Ni 1.27µm+Sn 2.5 to 7.5µm.pure bright
- Active area plating spec:
 - Signal and power contacts: Ni + Gold
- Shell plating :2 to 4µm Cu + 3 to 10µm Sn.pure bright
- Accessories: Sn pure bright
- Packaging spec: See GS-14-920

DBL13W3S300G30LF

Series ←

Shell size: **E A B C D** ←
see sheet 2

Front accessory definition
see sheet 2

- (blank)** :No shell accessory
- L** :Threaded insert M3
- O** :Threaded insert UNC 4-40
- V** :Female screw UNC 4-40
- I** :Female screw UNC M3

Layout of contacts (see sheet 3) ←

Contacts ←

S :Socket

Termination type ←

3 Straight version

Plating ←

- 00** 200 matings/unmatings
- 43** 500 matings/unmatings

PCB accessories definition
see sheet 2

- A** : No PCB accessory
- H** : Harpoons for PCB 2.40mm
- G** : Harpoons for PCB 1.60mm

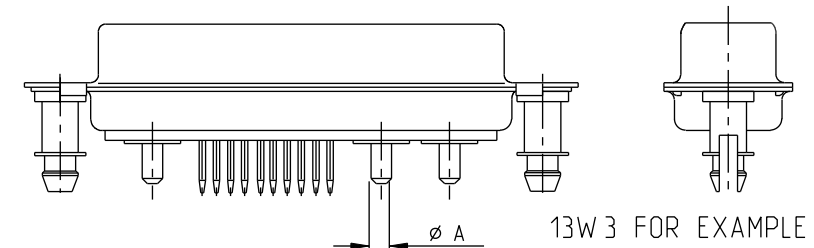
Power contacts ←

- 00** :Not fitted with power contact
- 30** :Fitted with power contacts 30 Amp.
- 40** :Fitted with power contacts 40 Amp.

See note RoHS

TABLE 1:PCB HOLE DIAMETERS

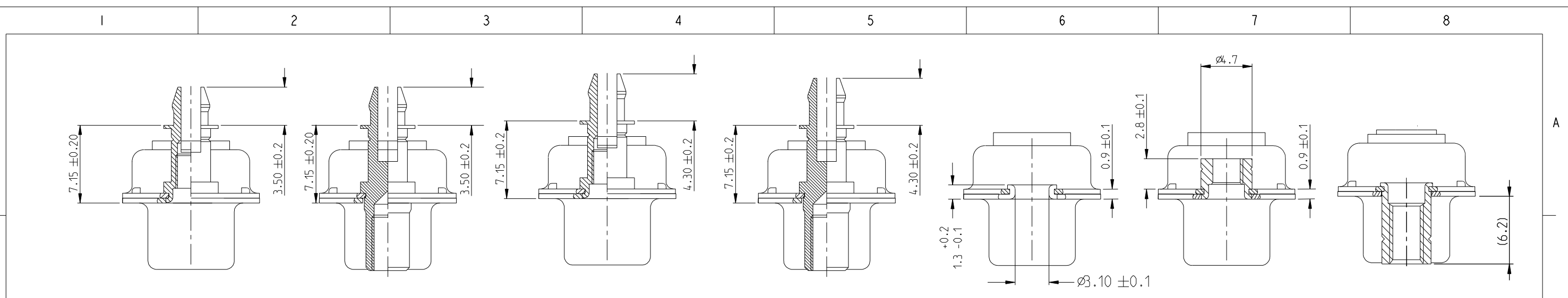
	POWER CONTACTS		ACCESSORIES	SIGNAL CONTACTS
	30 A	40 A		
	2.00	3.10	∅3.10	∅0.90 min
Max current power	∅A +0.1 0	PCB HOLE +/-0.1	PCB HOLE +/-0.1	PCB HOLE +/-0.1



www.fciconnect.com		Surface ISO 1302	tolerance std ISO 406 ISO 1101	projection	mm
Dr M PESSON 2005-10-11		TOLERANCES UNLESS OTHERWISE SPECIFIED		size A2	Scale 2:1
Eng P LEGARE 2005-10-11	Chr	ANGULAR 0° ±2°	LINEAR 0.x ±0.3 0.xx ±0.1 0.xxx ±0.05	ECN F10-0035	
Appr		Product family		Spec ref	
rev	ecn no	dr	date	title	dwg no
H	F09-0092	LSA	2009/09/16	SUB SOCKET DW	C01-8639-2302
J	F10-0035	LSA	2010/04/14	mixed power straight solder	
D	LS07-0165	MPE	2007/06/14		
E	LS07-0273	MPE	2007/10/31		
F	LS08-0067	MPE	2008/03/10		
G	LS09-0027	MPE	2009/01/21		
catalog no		CUSTOMER		sheet 1 of 7	Rev. J

Copyright FCI





FRONT ACCESSORIES	L insert M3 O insert UNC 4.40	V insert UNC 4.40 I Female screw M3	L insert M3 O insert UNC 4.40	V insert UNC 4.40 I Female screw M3	(Blank) without	L insert M3 O insert UNC 4.40	V Female screw UNC 4-40 I Female screw M3
PCB ACCESSORIES	G Harpoon for PCB 1.60mm	G Harpoon for PCB 1.60mm	H Harpoon for PCB 2.40mm	H Harpoon for PCB 2.40mm	A without	A without	A without

(this part of the table is not detailed in tables below)

PART NUMBER	AMPS	MATINGS/ UNMATINGS	FRONT ACCESSORY	PCB ACCESSORIES
D*LxWxS300G30LF	30	200	insert M3	harpoon PCB 1.60mm
D*OxWxS300G30LF	30	200	insert UNC 4.40	harpoon PCB 1.60mm
D*VxWxS300G30LF	30	200	female screw UNC 4.40	harpoon PCB 1.60mm
D*LxWxS300H30LF	30	200	insert M3	harpoon PCB 2.40mm
D*OxWxS300H30LF	30	200	insert UNC 4.40	harpoon PCB 2.40mm
D*VxWxS300H30LF	30	200	female screw UNC 4.40	harpoon PCB 2.40mm
D*LxWxS300G40LF	40	200	insert M3	harpoon PCB 1.60mm
D*OxWxS300G40LF	40	200	insert UNC 4.40	harpoon PCB 1.60mm
D*VxWxS300G40LF	40	200	female screw UNC 4.40	harpoon PCB 1.60mm
D*LxWxS300H40LF	40	200	insert M3	harpoon PCB 2.40mm
D*OxWxS300H40LF	40	200	insert UNC 4.40	harpoon PCB 2.40mm
D*VxWxS300H40LF	40	200	female screw UNC 4.40	harpoon PCB 2.40mm

shell size *
E 5W1
A 11W1
A 7W2
B 21W1
B 17W2
B 13W3
B 9W4
C 25W3
C 21WA4
C 27W2
D 47W1
D 24W7
D 36W4

PART NUMBER	AMPS	MATINGS/ UNMATINGS	FRONT ACCESSORY	PCB ACCESSORIES
D*LxWxS343G30LF	30	500	insert M3	harpoon PCB 1.60mm
D*OxWxS343G30LF	30	500	insert UNC 4.40	harpoon PCB 1.60mm
D*VxWxS343G30LF	30	500	female screw UNC 4.40	harpoon PCB 1.60mm
D*LxWxS343H30LF	30	500	insert M3	harpoon PCB 2.40mm
D*OxWxS343H30LF	30	500	insert UNC 4.40	harpoon PCB 2.40mm
D*VxWxS343H30LF	30	500	female screw UNC 4.40	harpoon PCB 2.40mm
D*LxWxS343G40LF	40	500	insert M3	harpoon PCB 1.60mm
D*OxWxS343G40LF	40	500	insert UNC 4.40	harpoon PCB 1.60mm
D*VxWxS343G40LF	40	500	female screw UNC 4.40	harpoon PCB 1.60mm
D*LxWxS343H40LF	40	500	insert M3	harpoon PCB 2.40mm
D*OxWxS343H40LF	40	500	insert UNC 4.40	harpoon PCB 2.40mm
D*VxWxS343H40LF	40	500	female screw UNC 4.40	harpoon PCB 2.40mm

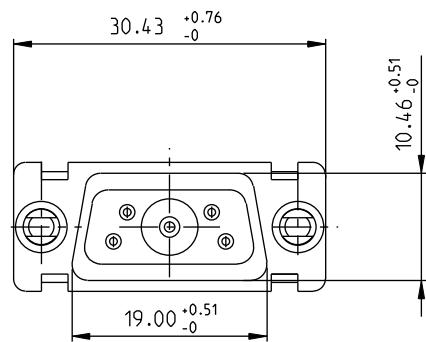
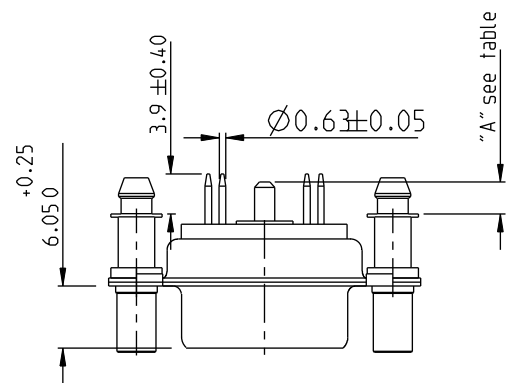
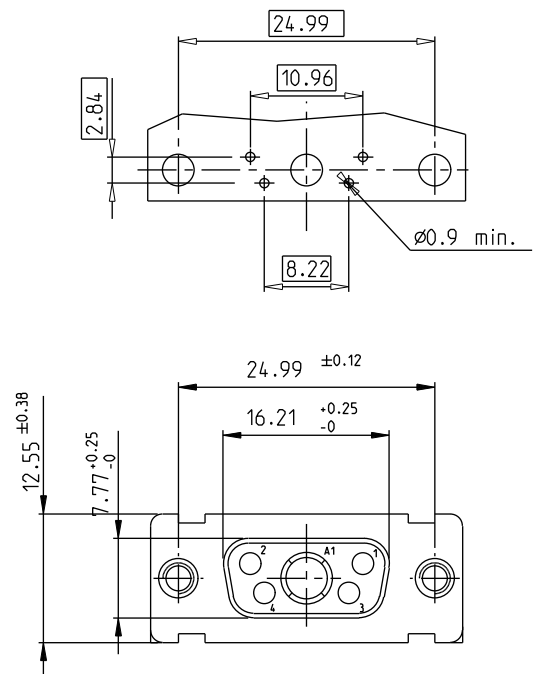
Copyright FCI

www.fciconnect.com		Surface ISO 1302	tolerance std ISO 406 ISO 1101	projection mm
TOLERANCES UNLESS OTHERWISE SPECIFIED				
Dr	M PESSON	2005-10-11	0.x ±0.3	size A2
Eng	P LEGARE	2005-10-11	0.xx ±0.1	Scale 2:1
Chr			0.xxx ±0.05	ECN F10-0035
Appr			Product family	- Spec ref
FCI		title SUB SOCKET DW mixed power straight solder		dwg no C01-8639-2302
catalog no		CUSTOMER		Rev. J

5W 1

LAYOUT AND CONNECTOR DIMENSIONS

For PCB hole diameters see table 1 sheet 1

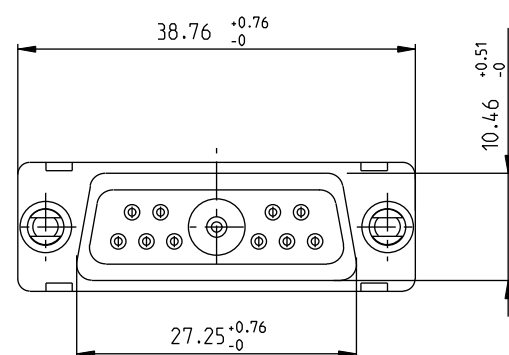
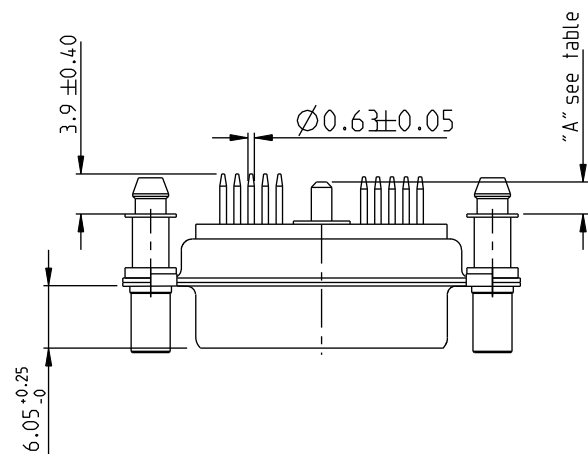
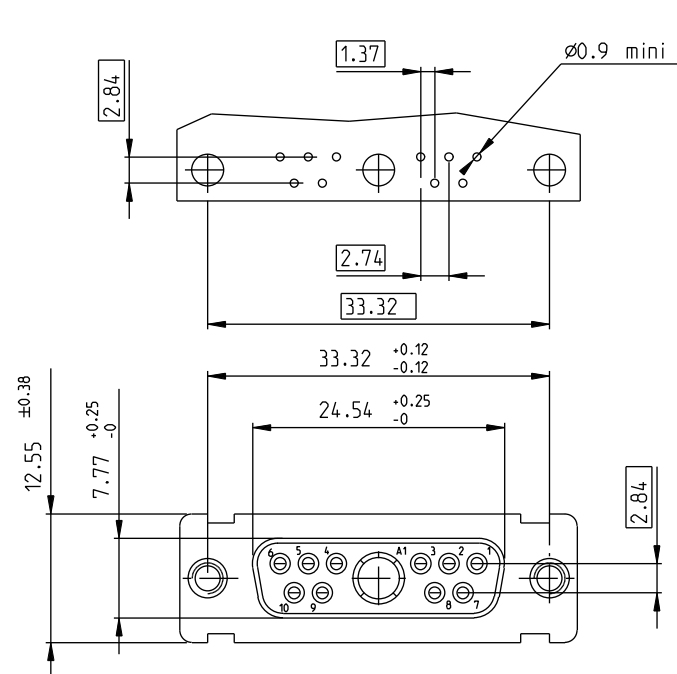


Floating signal contacts

11W 1

LAYOUT AND CONNECTOR DIMENSIONS

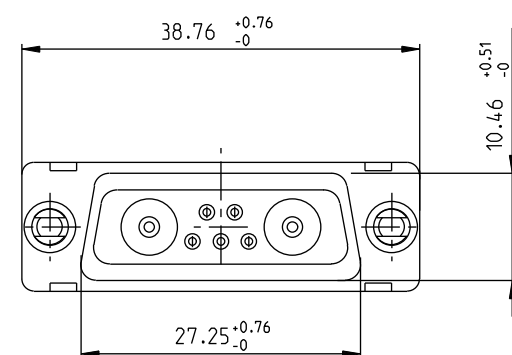
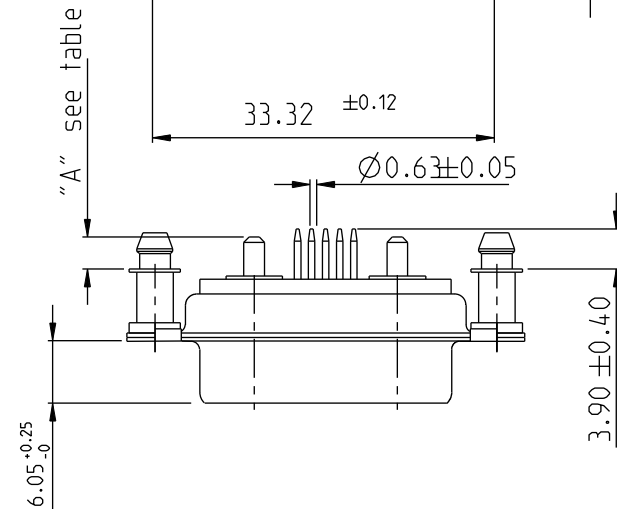
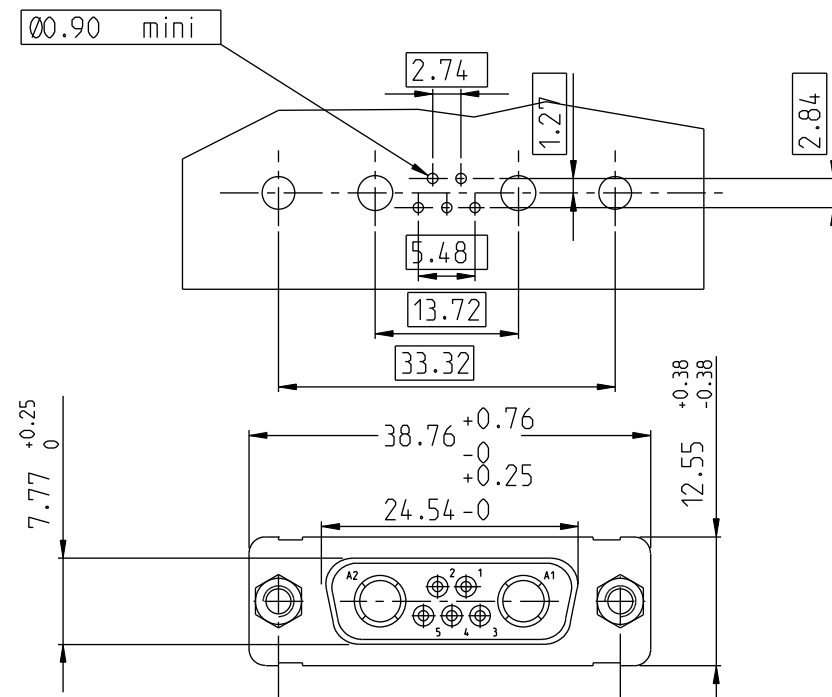
For PCB hole diameters see table 1 sheet 1



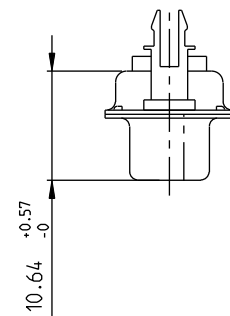
7W 2

LAYOUT AND CONNECTOR DIMENSIONS

For PCB hole diameters see table 1 sheet 1



SIDE VIEW FOR LAYOUTS: E A B C



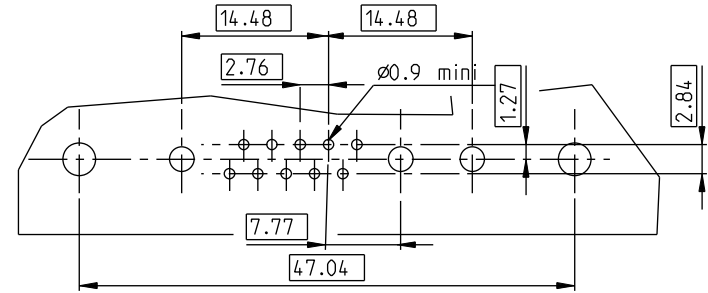
COTE "A"

30A	3.1 ±0.25
40A	3.6 ±0.25

www.fciconnect.com		Surface ISO 1302	tolerance std ISO 406 ISO 1101	projection mm
TOLERANCES UNLESS OTHERWISE SPECIFIED				
Dr	M PESSON	2005-10-11	0.X	±0.3
Eng	P LEGARE	2005-10-11	ANGULAR	LINEAR
Chr			0° ±2°	0.XXX ±0.05
Appr			Product family	- Spec ref
title SUB SOCKET DW		dwg no C01-8639-2302		Rev. J
catalog no		CUSTOMER		sheet 3 of 7

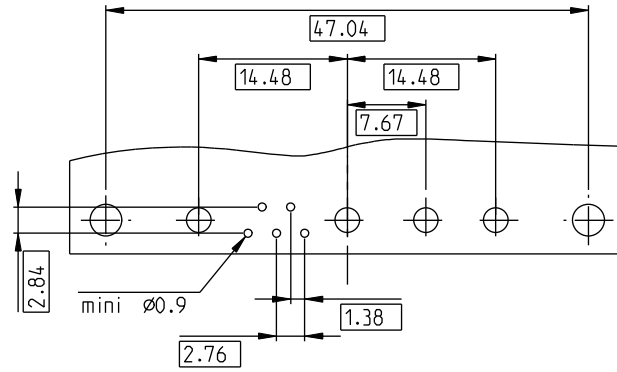
13W 3

LAYOUT AND CONNECTOR DIMENSIONS
For PCB hole diameters see table 1 sheet 1



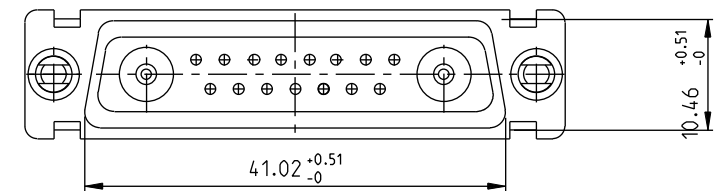
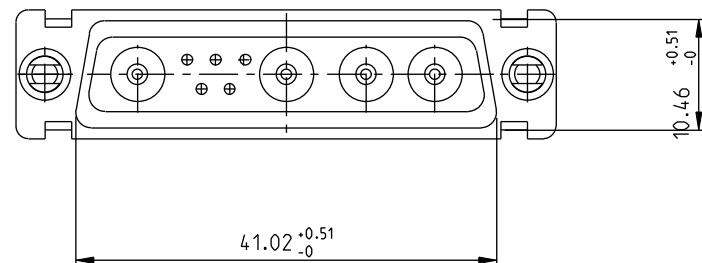
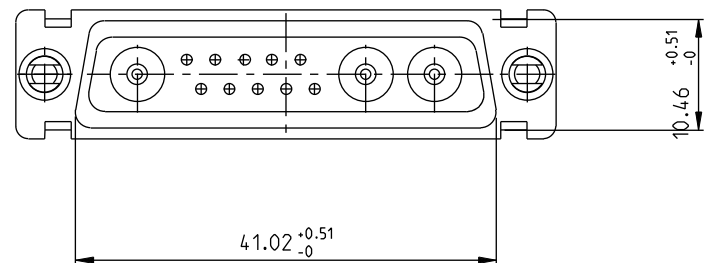
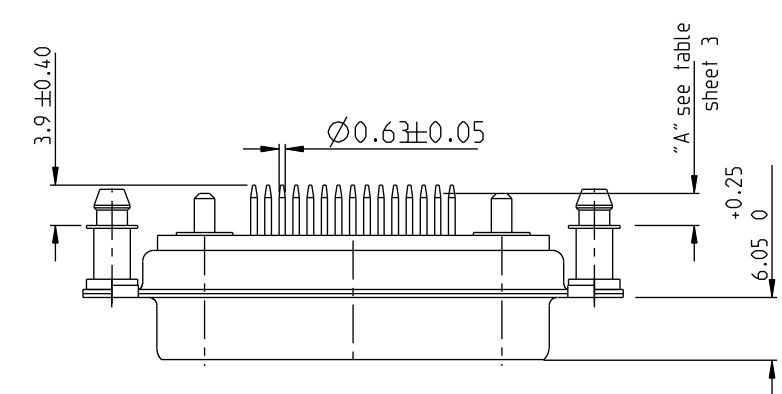
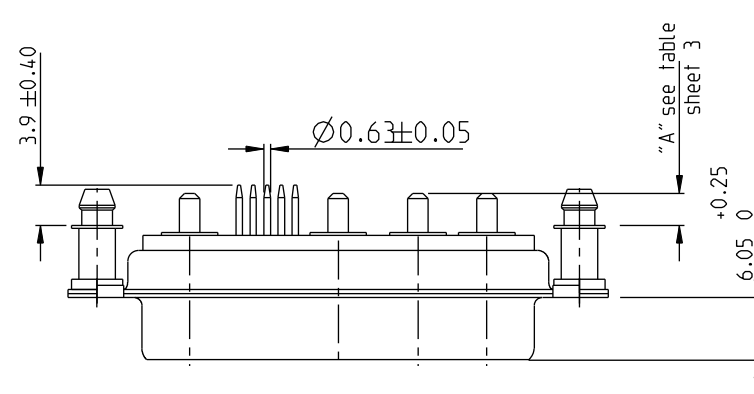
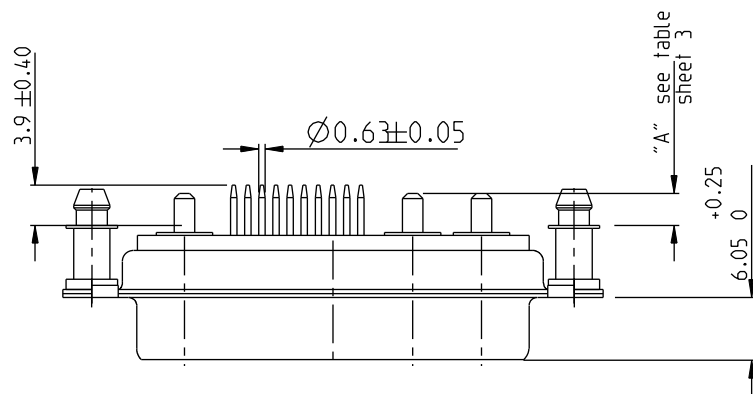
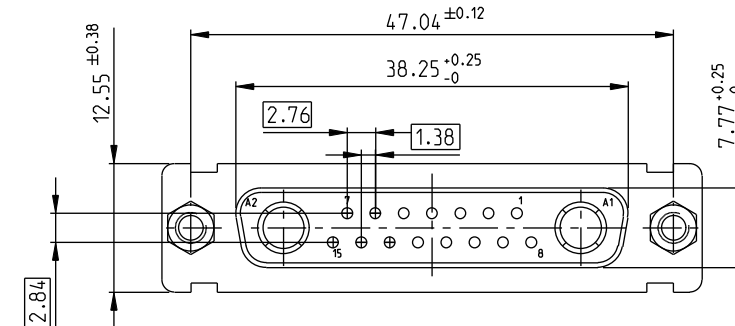
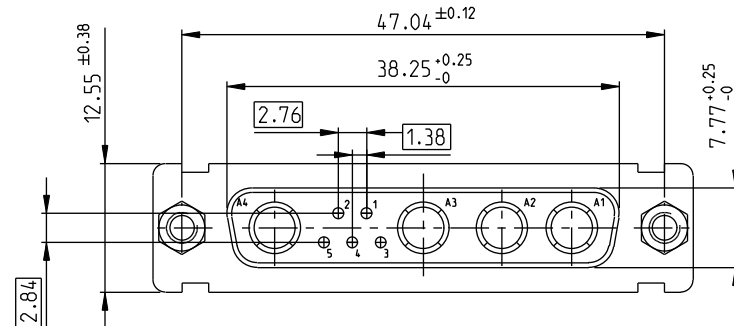
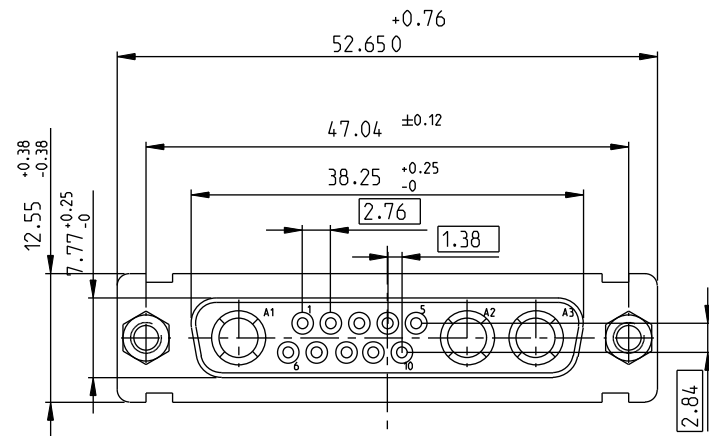
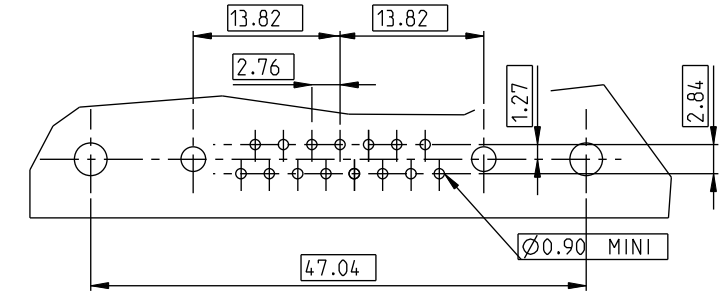
9W 4

LAYOUT AND CONNECTOR DIMENSIONS
For PCB hole diameters see table 1 sheet 1



17W 2

LAYOUT AND CONNECTOR DIMENSIONS
For PCB hole diameters see table 1 sheet 1

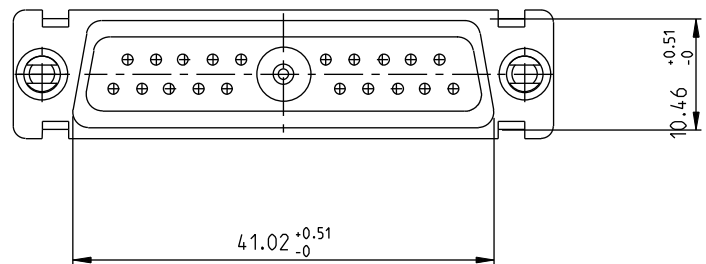
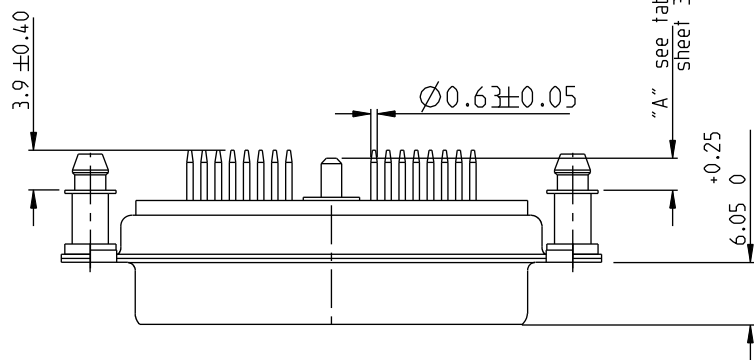
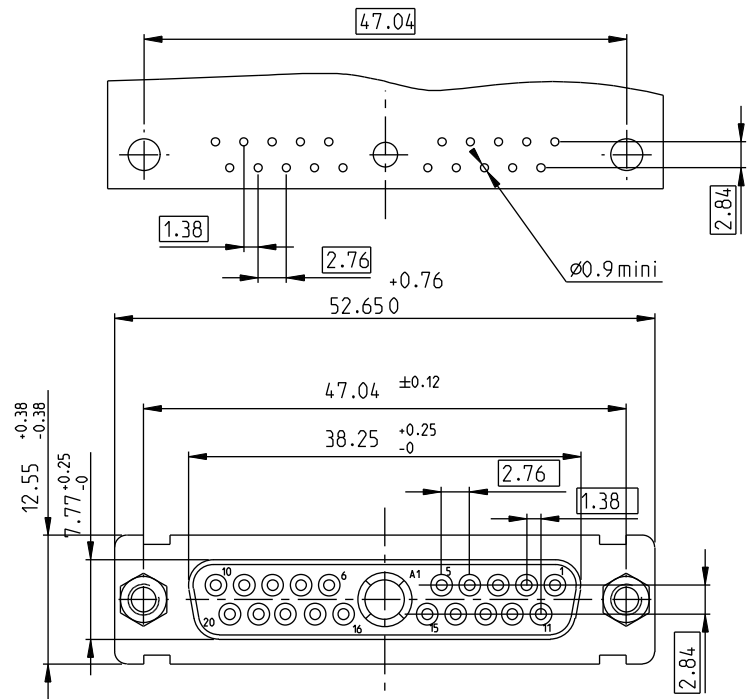


Floating signal contacts

www.fciconnect.com		Surface ISO 1302	tolerance std ISO 406 ISO 1101	projection mm
TOLERANCES UNLESS OTHERWISE SPECIFIED				
Dr	M PESSON	2005-10-11	0.X ±0.3	size A2
Eng	P LEGARE	2005-10-11	0.XX ±0.1	Scale 2:1
Chr			0.XXX ±0.05	ECN F10-0035
Appr			Product family	Spec ref
title SUB SOCKET DW		dwg no C01-8639-2302		Rev. J
catalog no		CUSTOMER		sheet 4 of 7

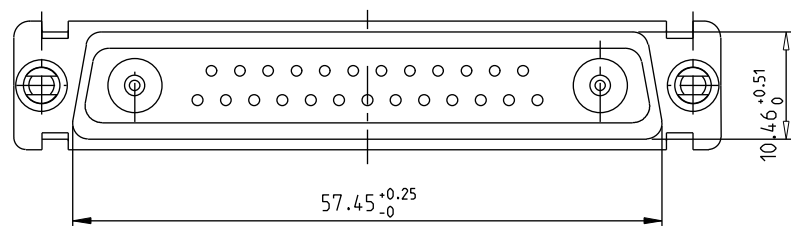
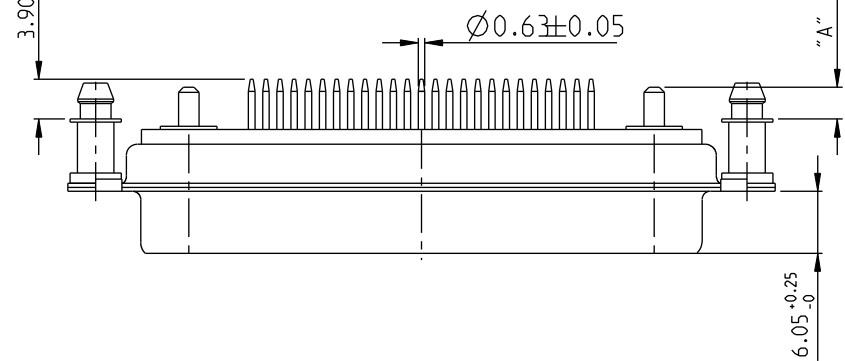
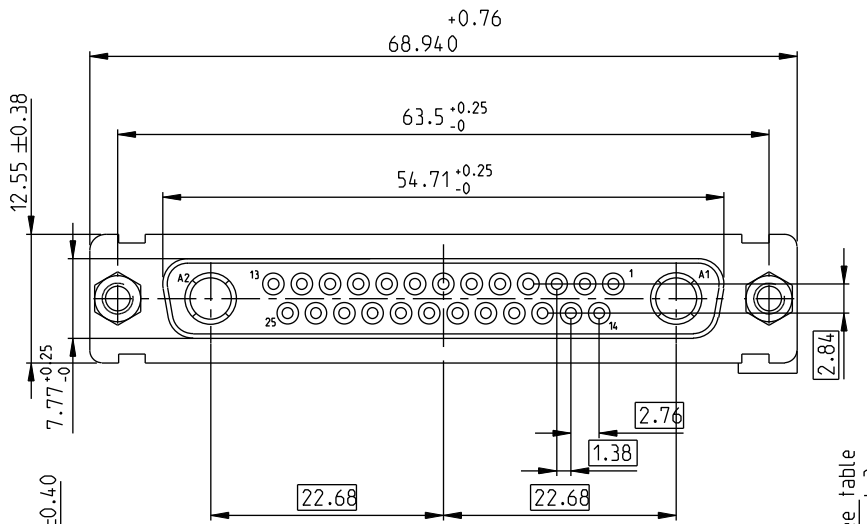
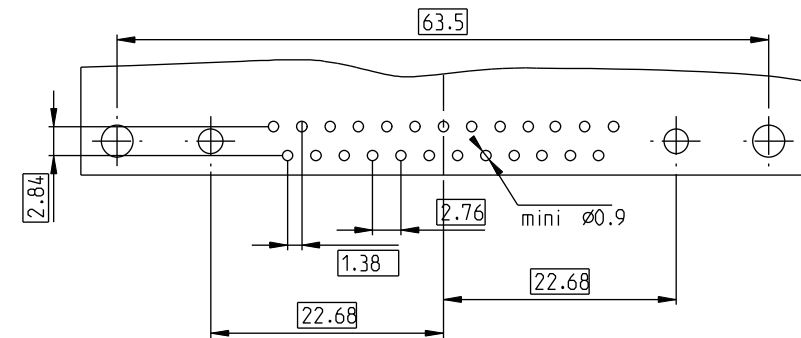
21W 1

LAYOUT AND CONNECTOR DIMENSIONS
For PCB hole diameters see table 1 sheet 1



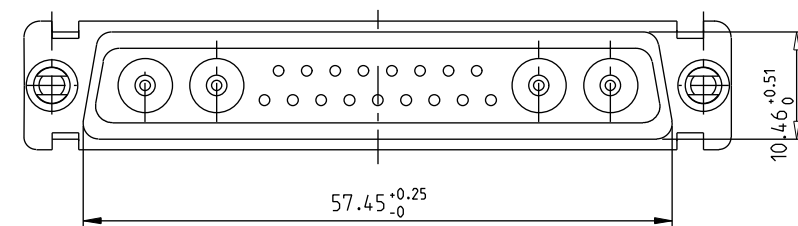
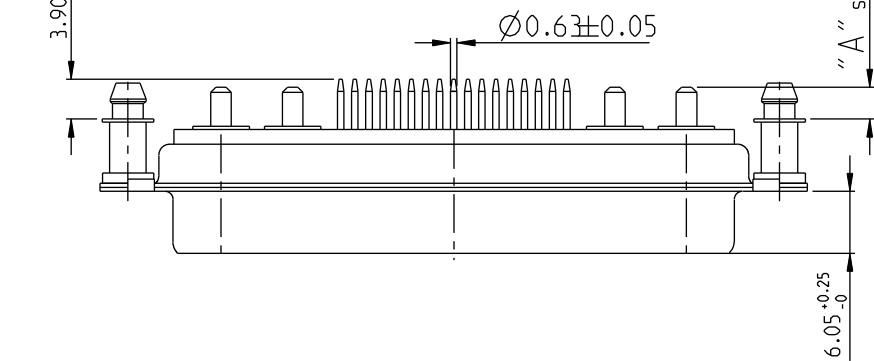
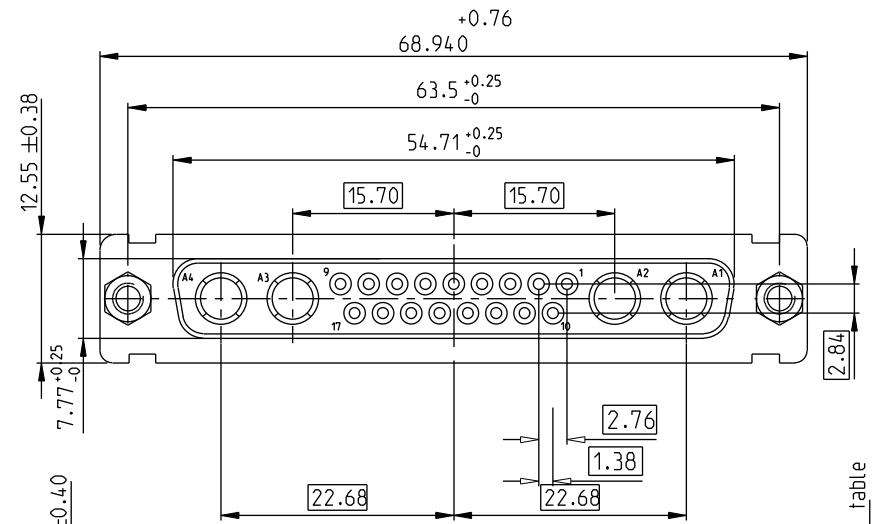
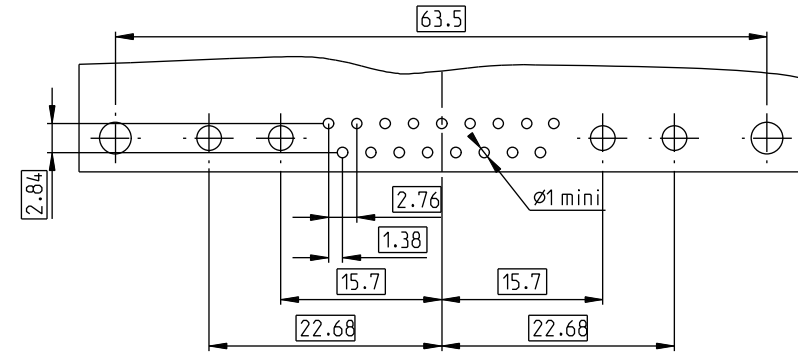
27W 2

LAYOUT AND CONNECTOR DIMENSIONS
For PCB hole diameters see table 1 sheet 1



21W A4

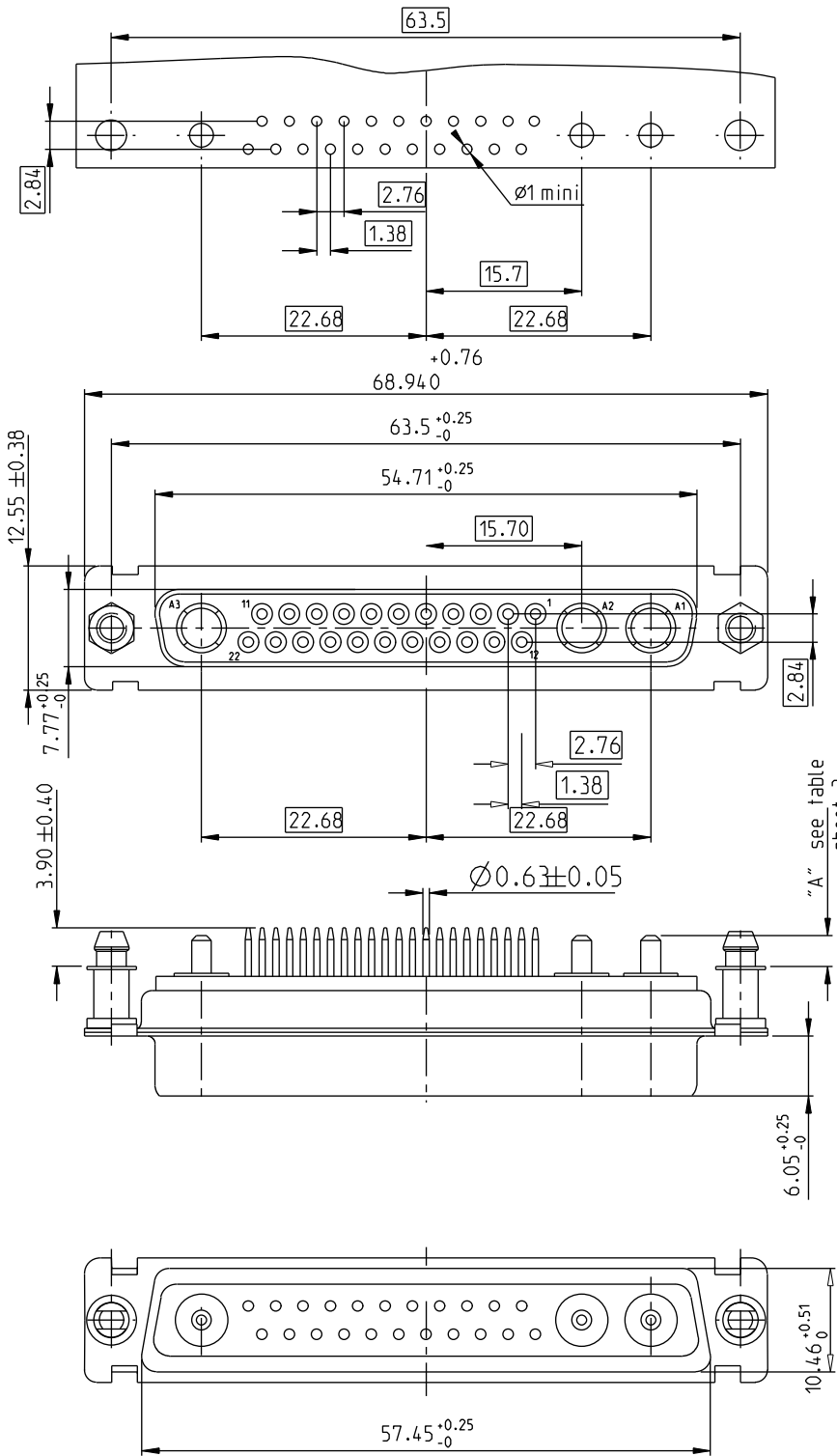
LAYOUT AND CONNECTOR DIMENSIONS
For PCB hole diameters see table 1 sheet 1



www.fciconnect.com		surface ISO 1302	tolerance std ISO 406 ISO 1101	projection mm
TOLERANCES UNLESS OTHERWISE SPECIFIED				
Dr	M PESSON	2005-10-11	0.x	±0.3
Eng	P LEGARE	2005-10-11	0.xx	±0.1
Chr			0.xxx	±0.05
Appr			Product family - Spec ref	
title SUB SOCKET DW mixed power straight solder			dwg no C01-8639-2302	Rev. J
catalog no			CUSTOMER	sheet 5 of 7

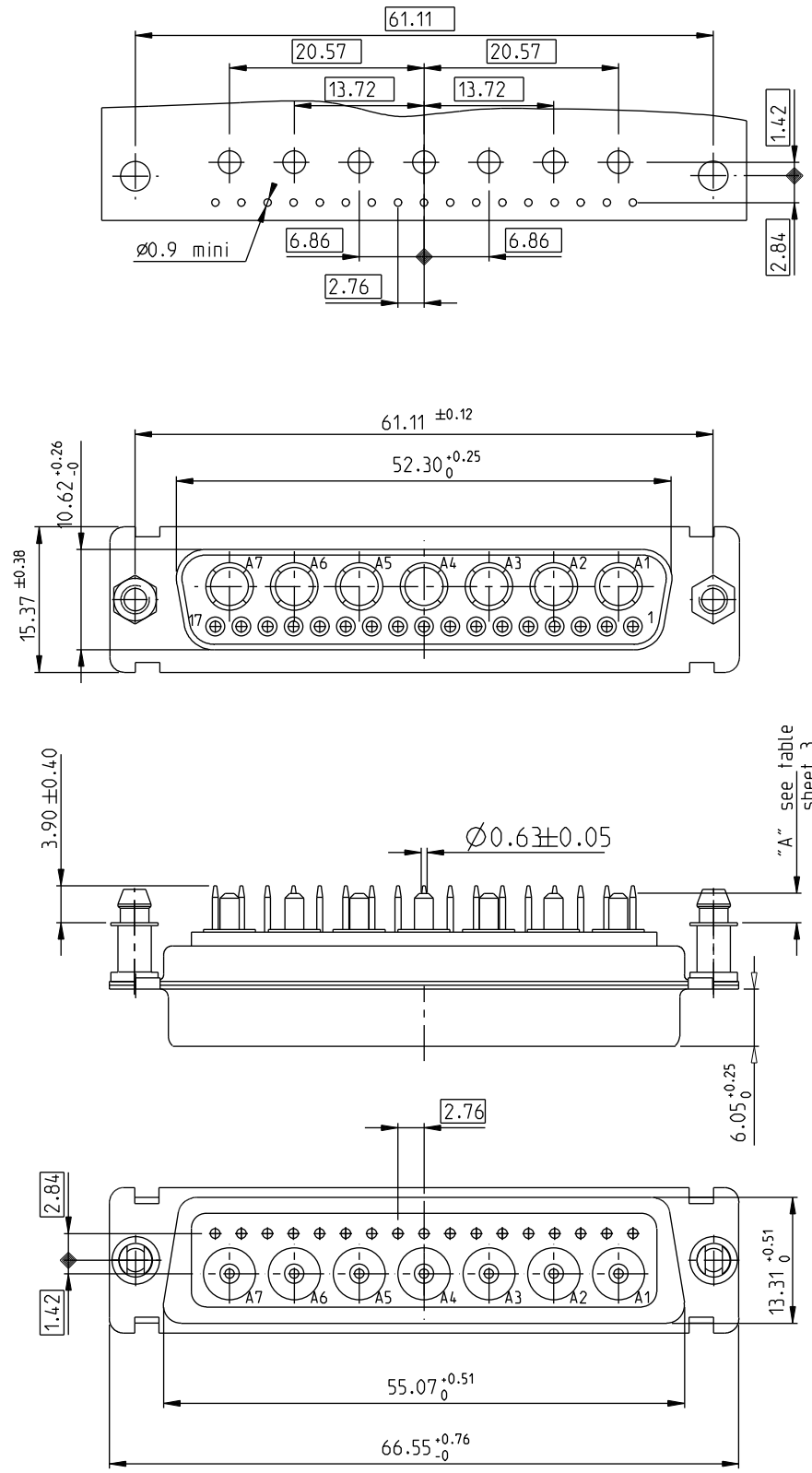
25W3

LAYOUT AND CONNECTOR DIMENSIONS
For PCB hole diameters see table 1 sheet 1

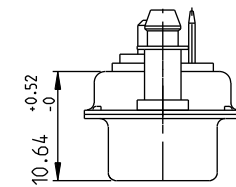


24W7

LAYOUT AND CONNECTOR DIMENSIONS
For PCB hole diameters see table 1 sheet 1



SIDE VIEW FOR LAYOUTS: D



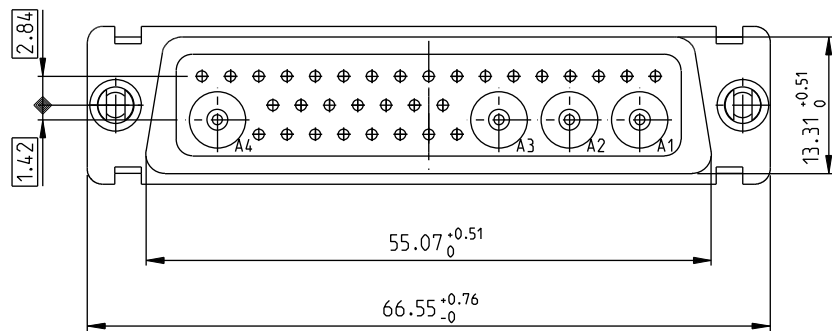
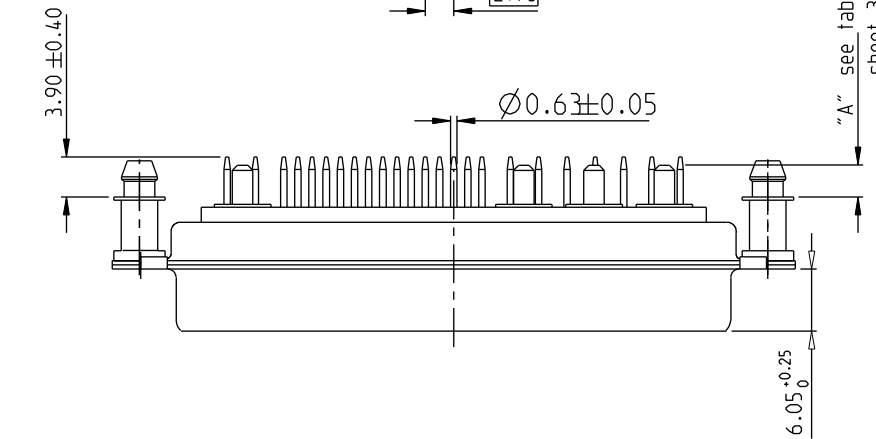
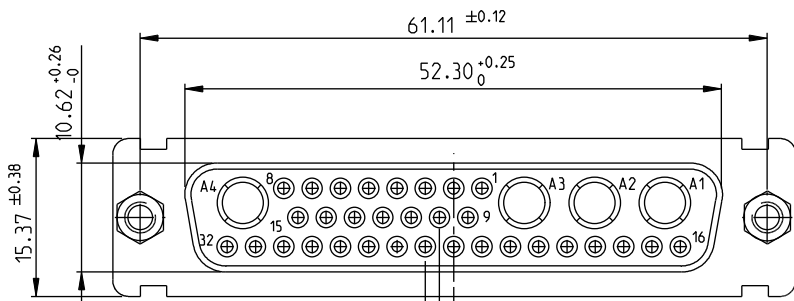
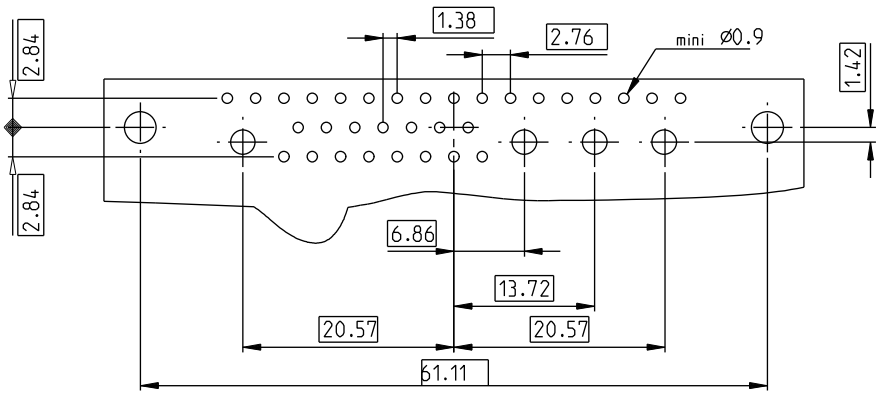
Copyright FCI

www.fciconnect.com		Surface ISO 1302	tolerance std ISO 406 ISO 1101	projection	mm
		TOLERANCES UNLESS OTHERWISE SPECIFIED			
Dr	M PESSON	2005-10-11	0.x	±0.3	size A2
Eng	P LEGARE	2005-10-11	ANGULAR	LINEAR	0.xx ±0.1
Chr			0° ±2°		0.xxx ±0.05
Appr			Product family		- Spec ref
FCI		title SUB SOCKET DW		dwg no	C01-8639-2302
		mixed power straight solder			Rev. J
		catalog no		CUSTOMER	sheet 6 of 7

36W4

LAYOUT AND CONNECTOR DIMENSIONS

For PCB hole diameters see table 1 sheet 1

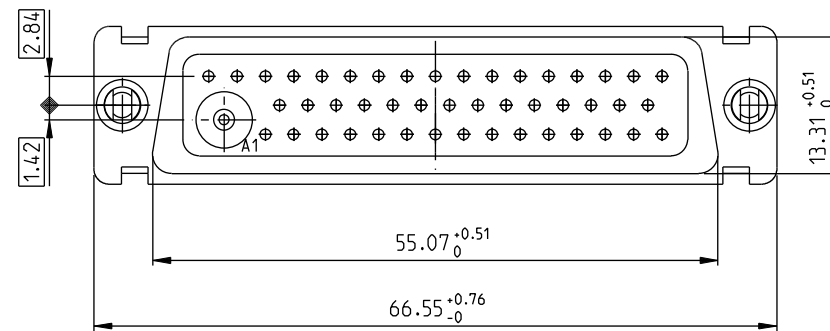
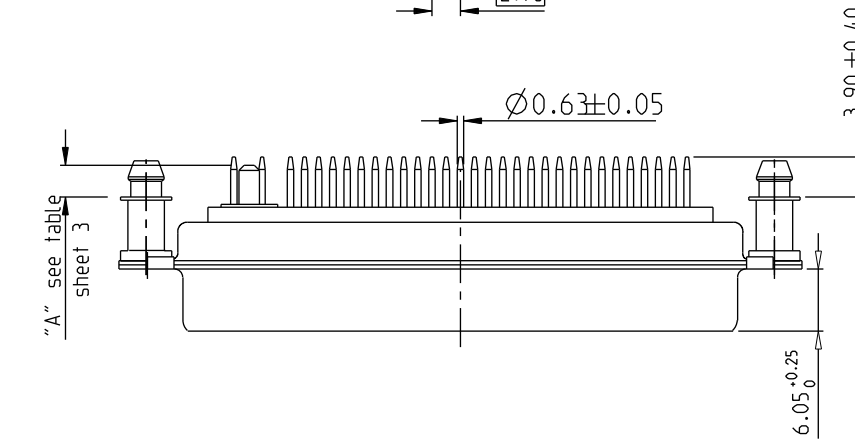
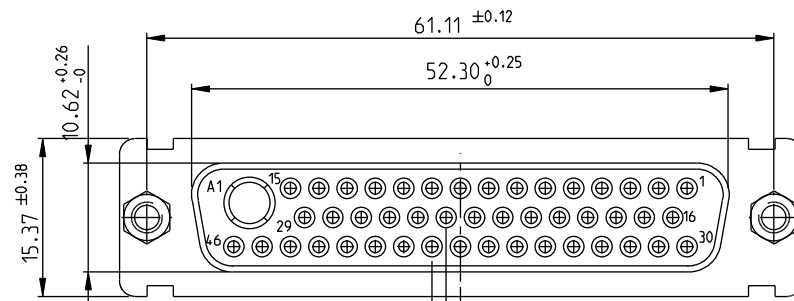
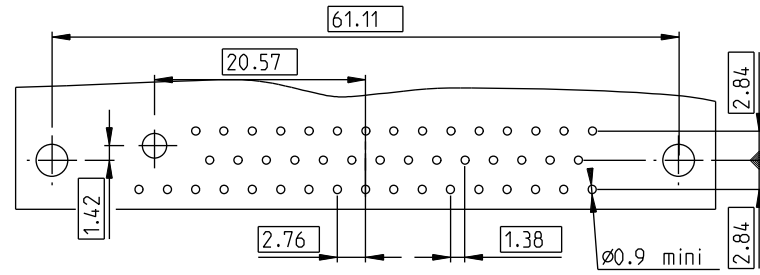


Floating signal contacts

47W1

LAYOUT AND CONNECTOR DIMENSIONS

For PCB hole diameters see table 1 sheet 1



Copyright FCI



www.fciconnect.com		Surface ISO 1302	tolerance std ISO 406 ISO 1101	projection mm	
		TOLERANCES UNLESS OTHERWISE SPECIFIED			
Dr	M PESSON	2005-10-11	0.x ±0.3	size	A2
Eng	P LEGARE	2005-10-11	ANGULAR	LINEAR	Scale
Chr			0° ±2°	0.xxx ±0.05	ECN
Appr					F10-0035
		Product family		-	Spec ref
title		SUB SOCKET DW		dwg no	C01-8639-2302
		mixed power straight solder			Rev.
catalog no		CUSTOMER		sheet	7 of 7