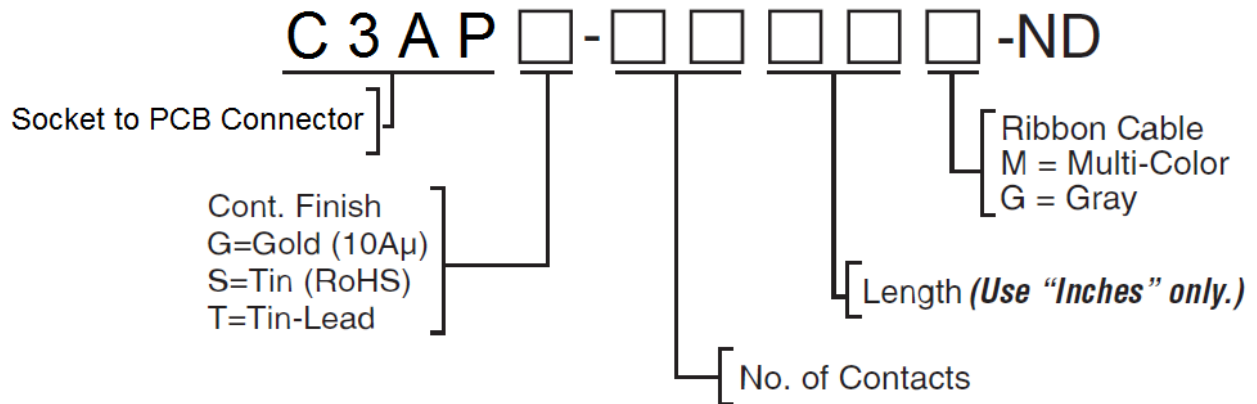
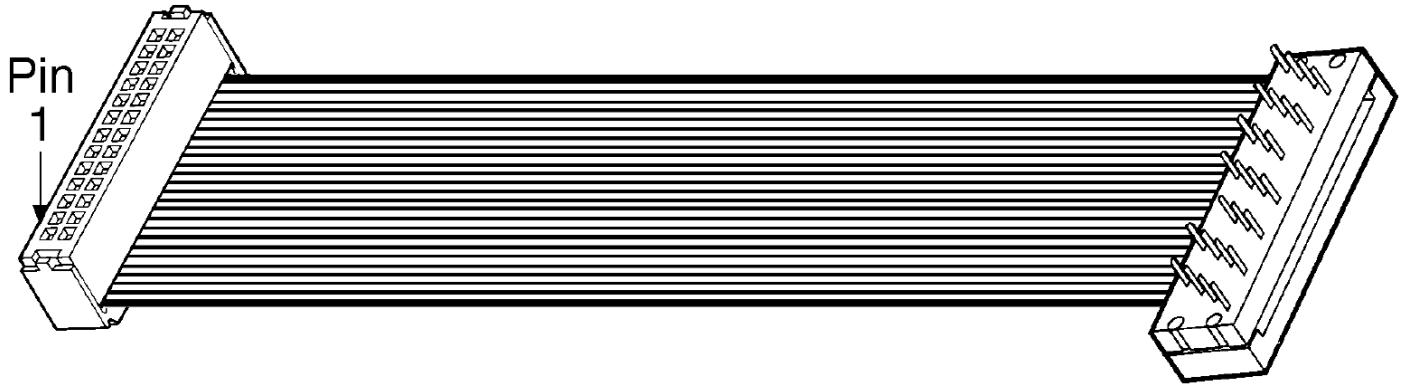




Termination Jumpers

Socket Connector to PCB Connector

[Socket connector](#) and [PCB connector](#) without strain relief shown.



Digi-Key[®] Custom Cable Assemblies Available
Call Digi-Key