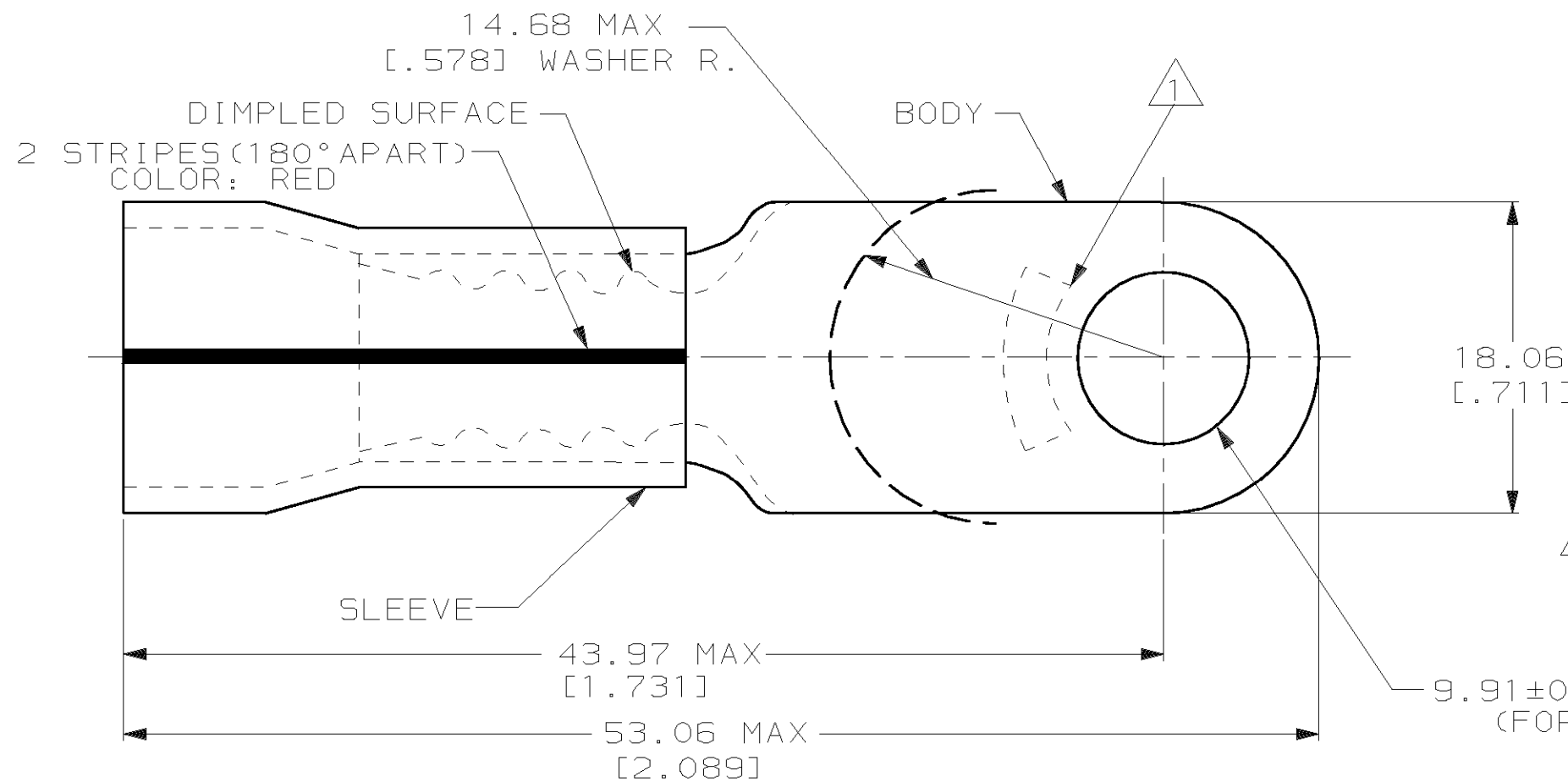


THIS DRAWING IS UNPUBLISHED. RELEASED FOR PUBLICATION ,19 .  
 © COPYRIGHT 19 BY AMP INCORPORATED. ALL INTERNATIONAL RIGHTS RESERVED.

LOC	DIST	P	F	REVISIONS			DATE	APPD
G	14			ZONE	LTR	DESCRIPTION		
					F	REV PER 0G3A-0236-99	250CT99	JR/TM



**AMP**  
WIRE RANGE

---

2 AWG  
STRANDED

**METRIC**

DIMENSIONS LISTED IN mm [ INCHES ]

NOTE:  
 1 STAMP AMP 2\* LOCATE APPROX AS SHOWN  
 2. TONGUE MATERIAL THK 1.45±0.08 [.057±.003]  
 3. WIRE INSULATION DIA 14.22 [.560] MAX

9.91±0.13 [.390±.005] DIA  
(FOR 3/8 STUD)

<del>OBSOLETE</del>	<del>50</del>	<del>LOOSE PC, BOX</del>	<del>8-53953-2</del>
	50	LOOSE PC	53953-1
	QTY	PACKAGE TYPE	PART NO

**AMP INCORPORATED  
CUSTOMER SERVICE SYSTEMS**

MAX RECOMMENDED OPERATING TEMPERATURE:

150°c

VOLTAGE RATING:  
600 V MAX

CIRCULAR MIL AREA:  
26.65-42.41mm<sup>2</sup> [52,600-83,700]  
STRANDED

DO NOT SCALE PRINT.  
UNLESS SPECIFIED  
DIMENSIONS IN mm [INCHES]  
TOLERANCES ON:  
2 PLC DEC ± 0.20 [.008]  
3 PLC DEC ± -  
ANGLES ± -

MATERIAL  
COPPER PER ASTM B-152  
PVF<sup>2</sup>, COLOR:NATURAL

FINISH  
TIN/LEAD (93-7) PLATE  
PER ASTM B545

DR 10-6-93  
S.S. GOULDEN

CHK 10-6-93  
R. HERSEY

APPD 10-6-93  
B. BARE

APPD 10-6-93  
M. ELLIS

PRODUCT SPEC  
NOT AVAILABLE

APPLICATION SPEC  
NOT AVAILABLE

WEIGHT -



AMP Incorporated  
Harrisburg, PA 17105-3608

NAME  
TERMINAL, RING TONGUE, PVF<sup>2</sup>,  
PLASTI-GRIP, WIRE SIZE:2 AWG

SIZE **B** CAGE CODE 00779 DRAWING NO **C-53953**

SCALE NTS SHEET 1 OF 1

FOR ADDITIONAL PRODUCT INFORMATION OR COPIES OF DRAWINGS AND TECHNICAL DOCUMENTS	PRODUCT INFORMATION CENTER 1-800-522-6752
FOR APPLICATION TOOLING INFORMATION	TOOLING ASSISTANCE CENTER 1-800-722-1111
FOR ORDER ENTRY	1-800-526-5142

THIS DRAWING IS A CONTROLLED DOCUMENT FOR AMP INCORPORATED. IT IS SUBJECT TO CHANGE AND THE CONTROLLING ENGINEERING ORGANIZATION SHOULD BE CONTACTED FOR THE LATEST REVISION.