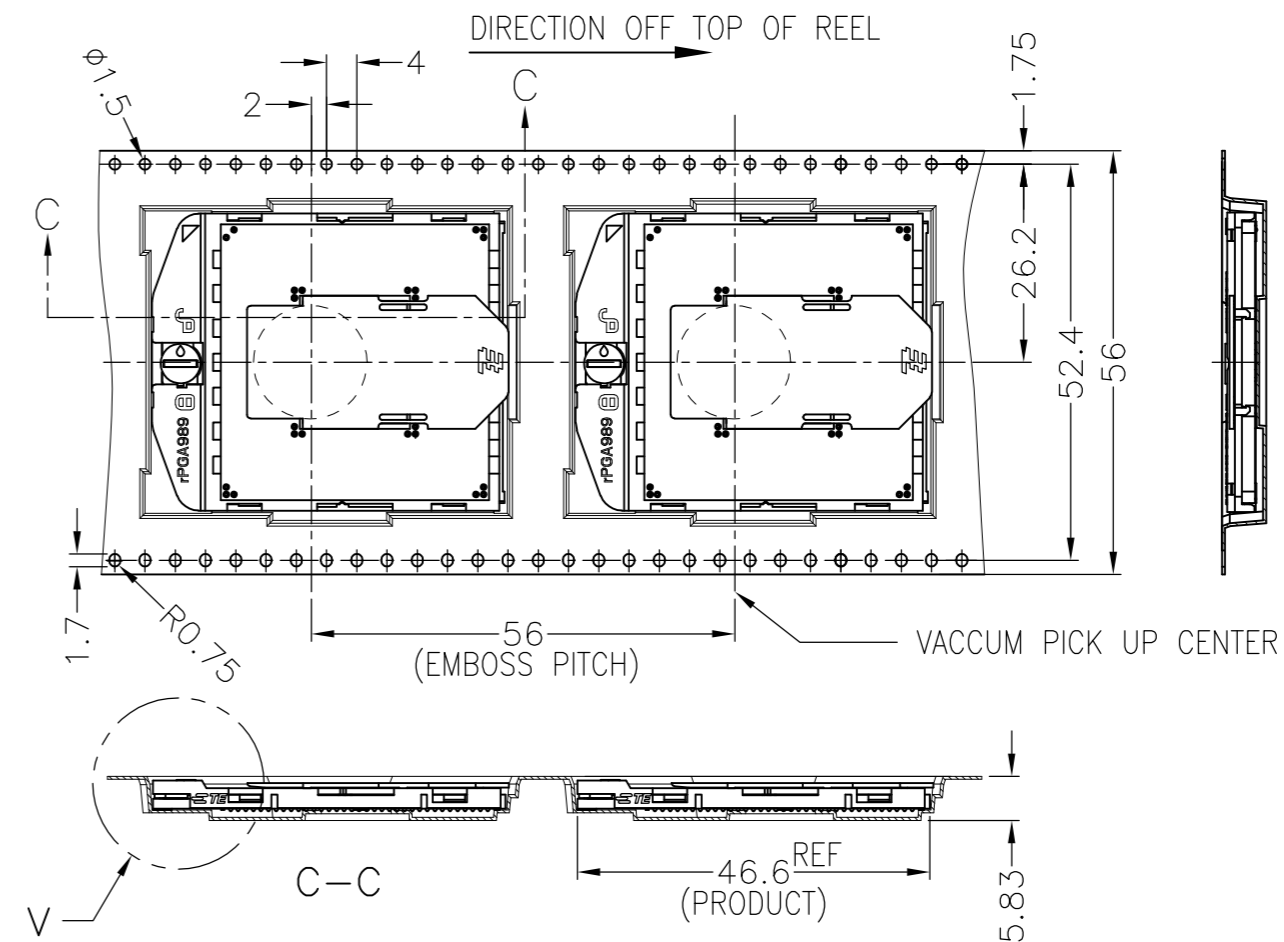
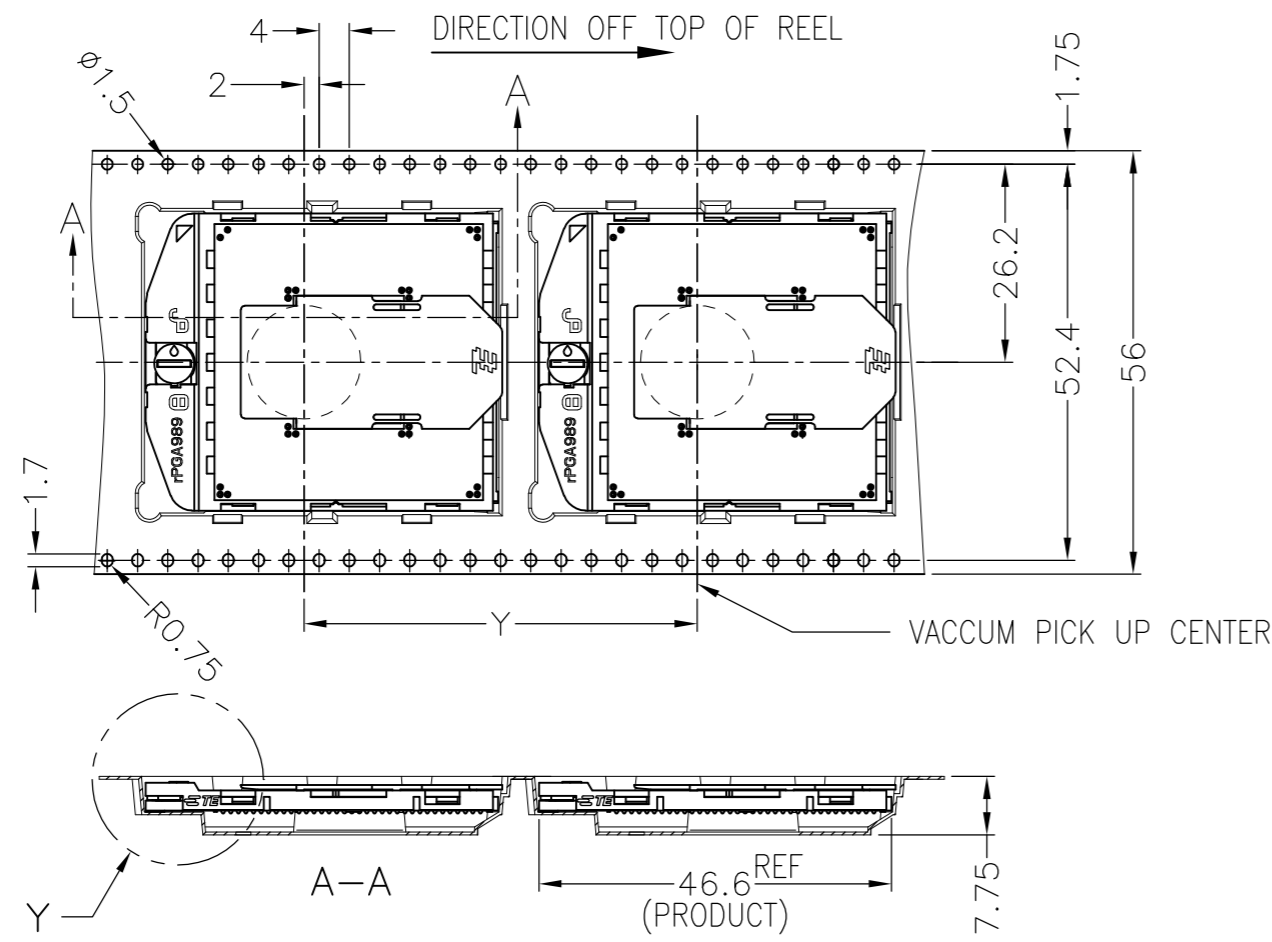


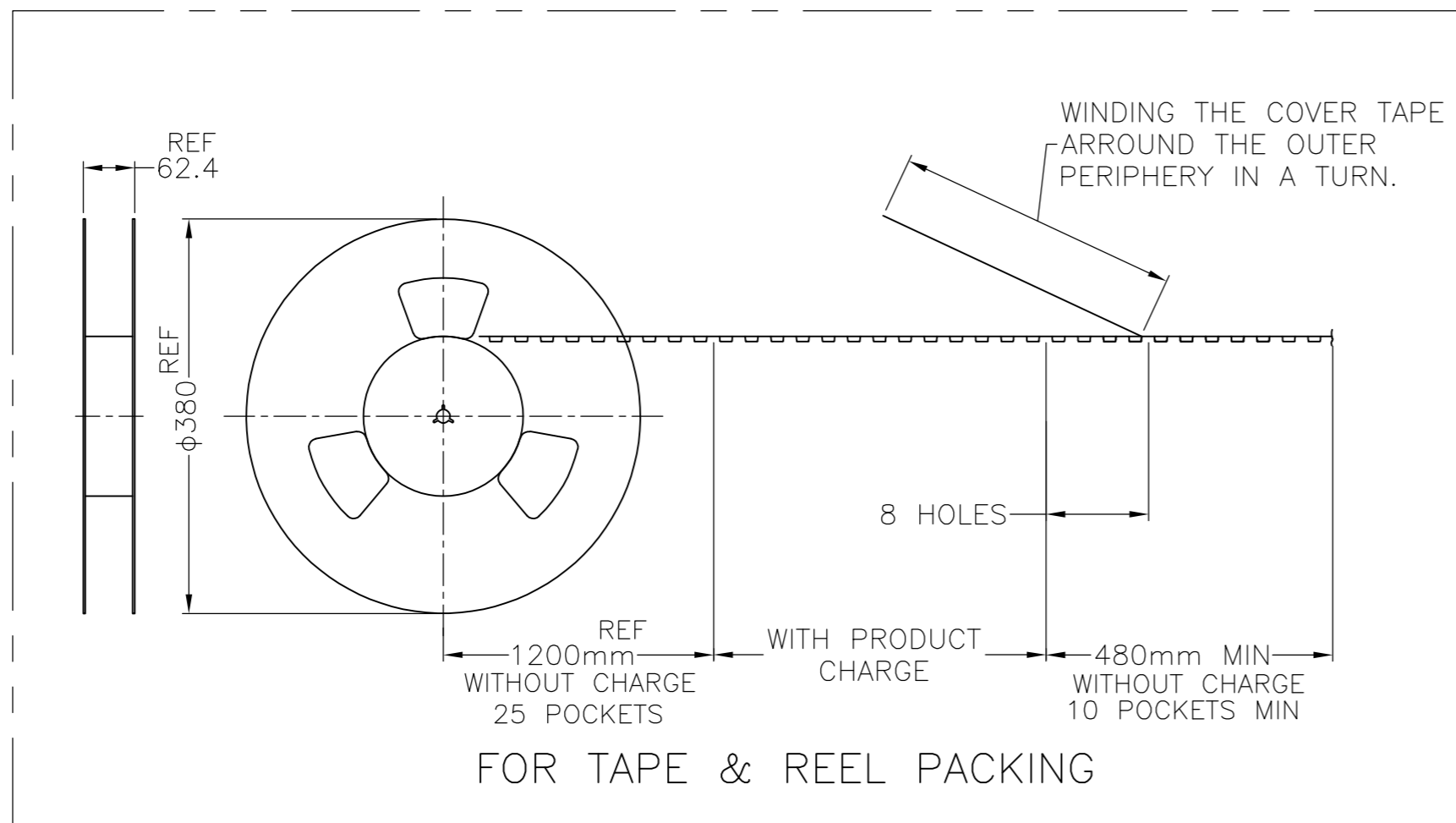
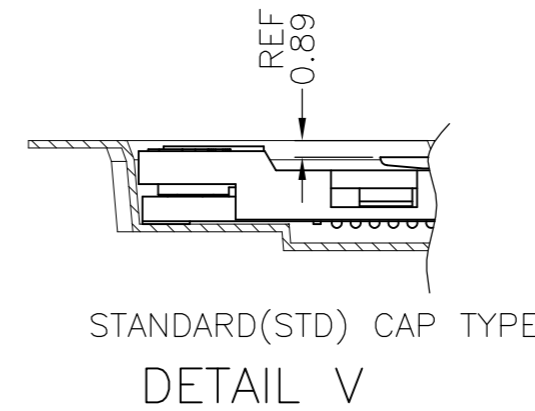
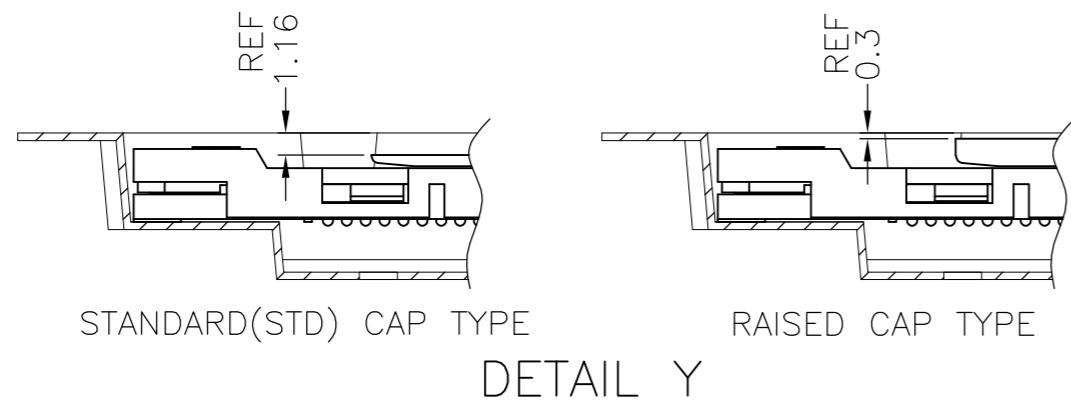
THIS DRAWING IS UNPUBLISHED. RELEASED FOR PUBLICATION SEP, 2011.
 © COPYRIGHT 2011 By Tyco Electronics Japan G.K. ALL RIGHTS RESERVED.

REVISONS		DATE	DWN	APVD
LOC	DIST	DESCRIPTION		
P	LTR			
B		RELEASED	07FEB2012	N.H T.N



FOR EMBOSS PACKING
 160PCS/REEL AND 120PCS/REEL
 (REFERENCE)

FOR EMBOSS PACKING
 180PCS/REEL
 (REFERENCE)



PRODUCT WEIGHT (g/SOCKET)	DIMENSION Y	SOCKET QTY PER TRAY OR REEL	PACKAGE TYPE	CAP TYPE	SOCKET TYPE	PART NO.
7.8	56	120	TAPE & REEL	RAISED	rPGA989	4-2174003-3
7.7	56	120	TAPE & REEL	STD	rPGA988B	2-2174003-3
7.7	52	160	TAPE & REEL	STD	rPGA988B	2-2174003-2
7.7	56	180	TAPE & REEL	STD	rPGA989	2174003-4
7.7	56	120	TAPE & REEL	STD	rPGA989	2174003-3
7.7	52	160	TAPE & REEL	STD	rPGA989	2174003-2

THIS DRAWING IS A CONTROLLED DOCUMENT.

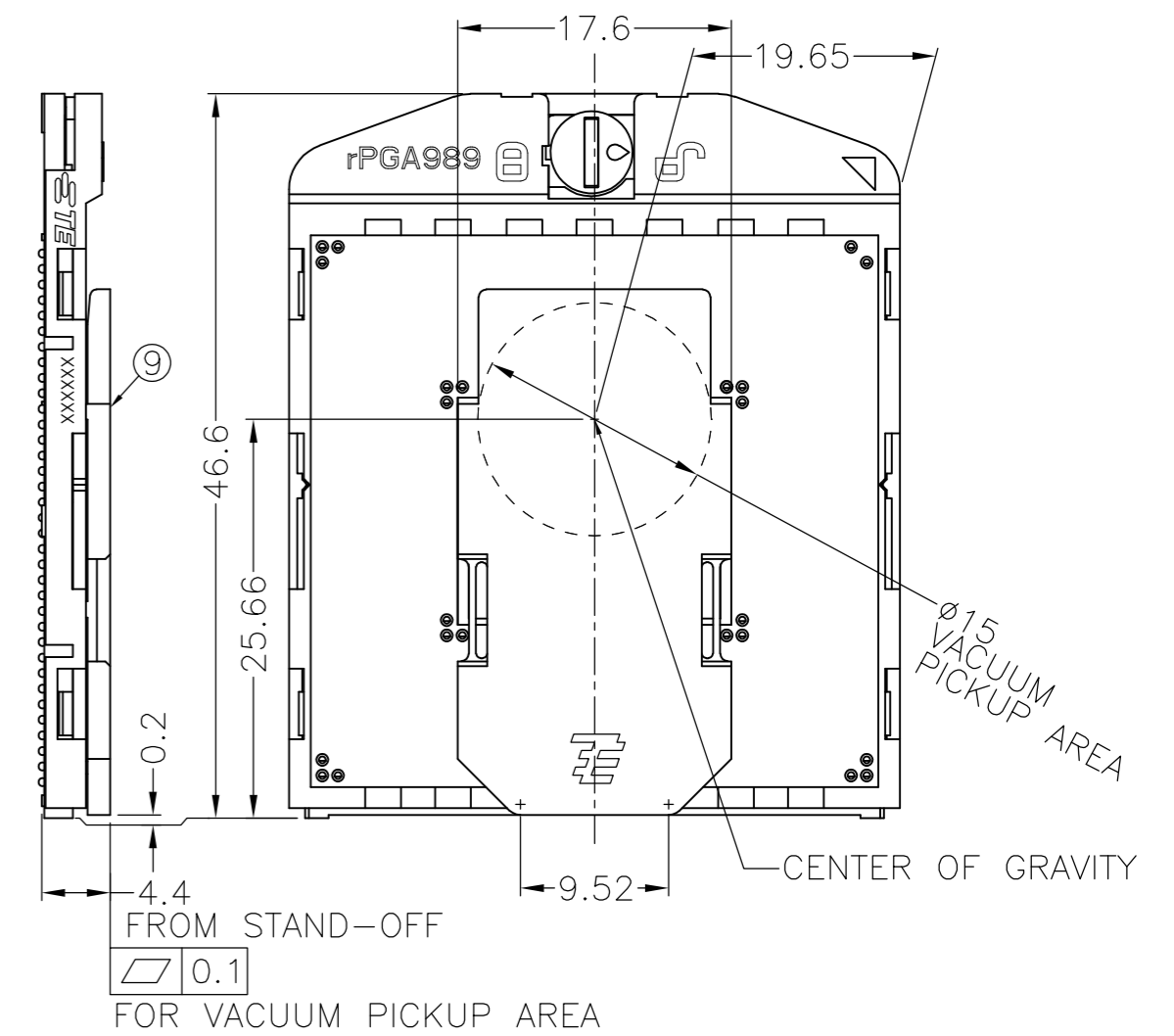
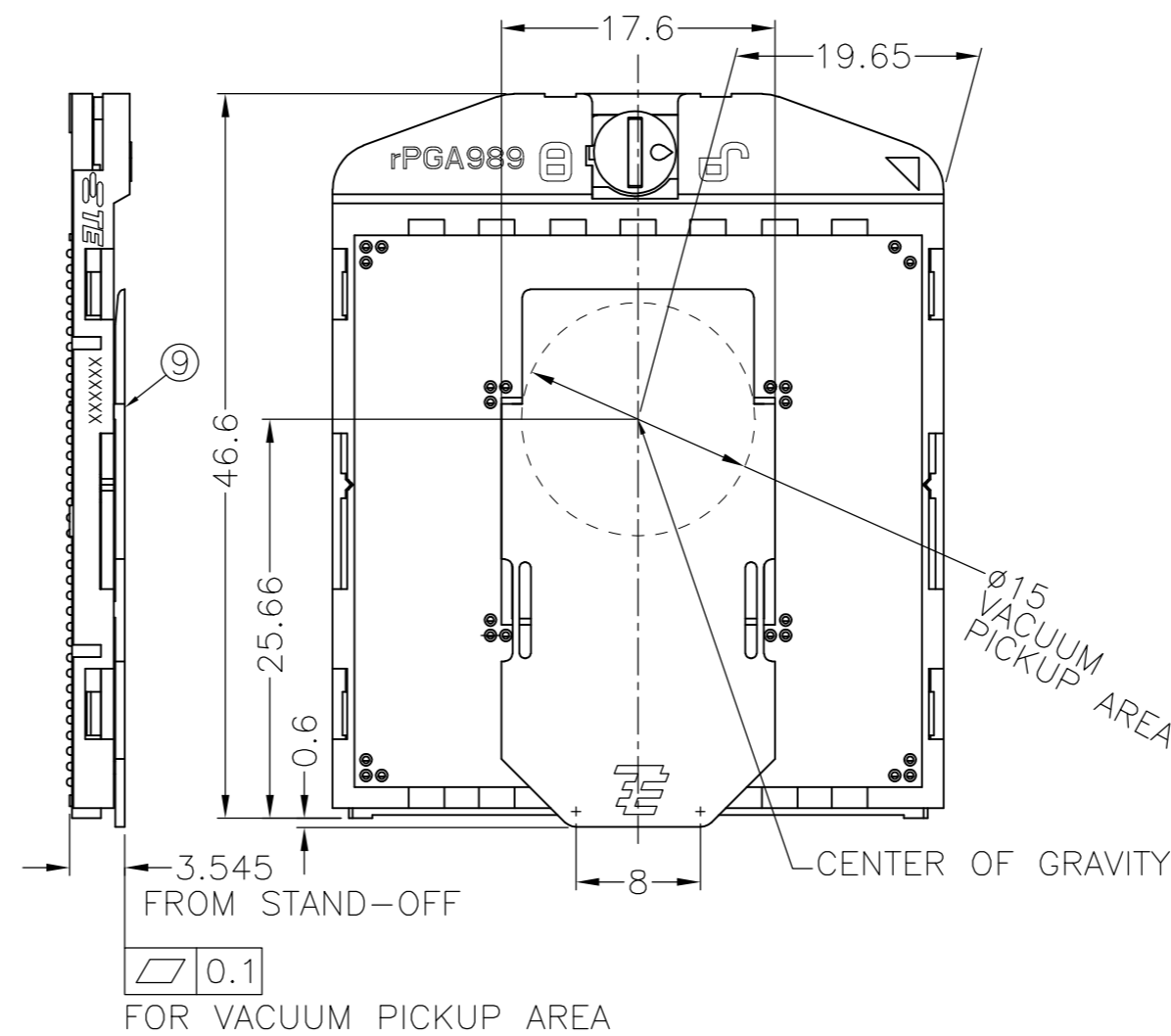
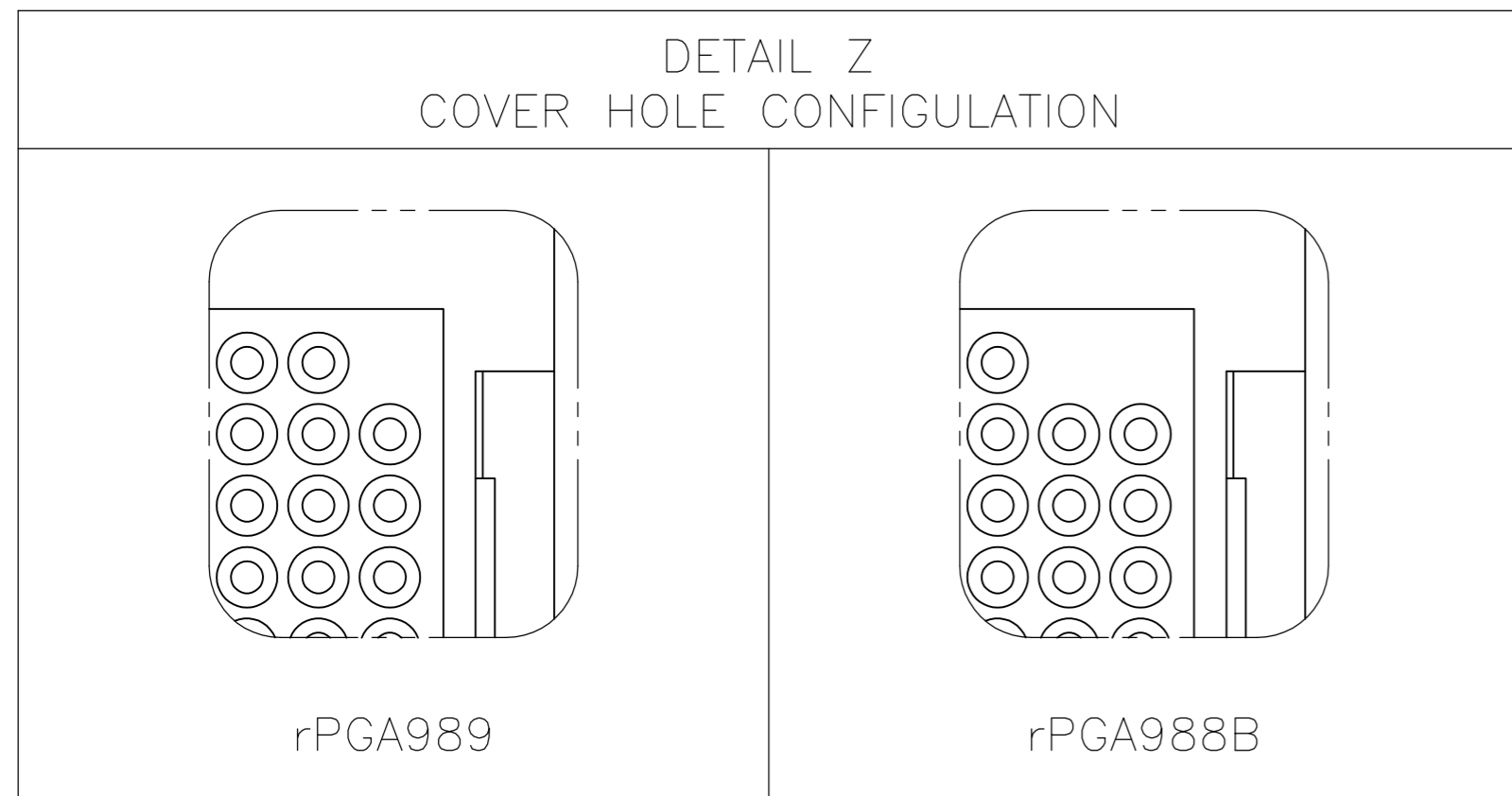
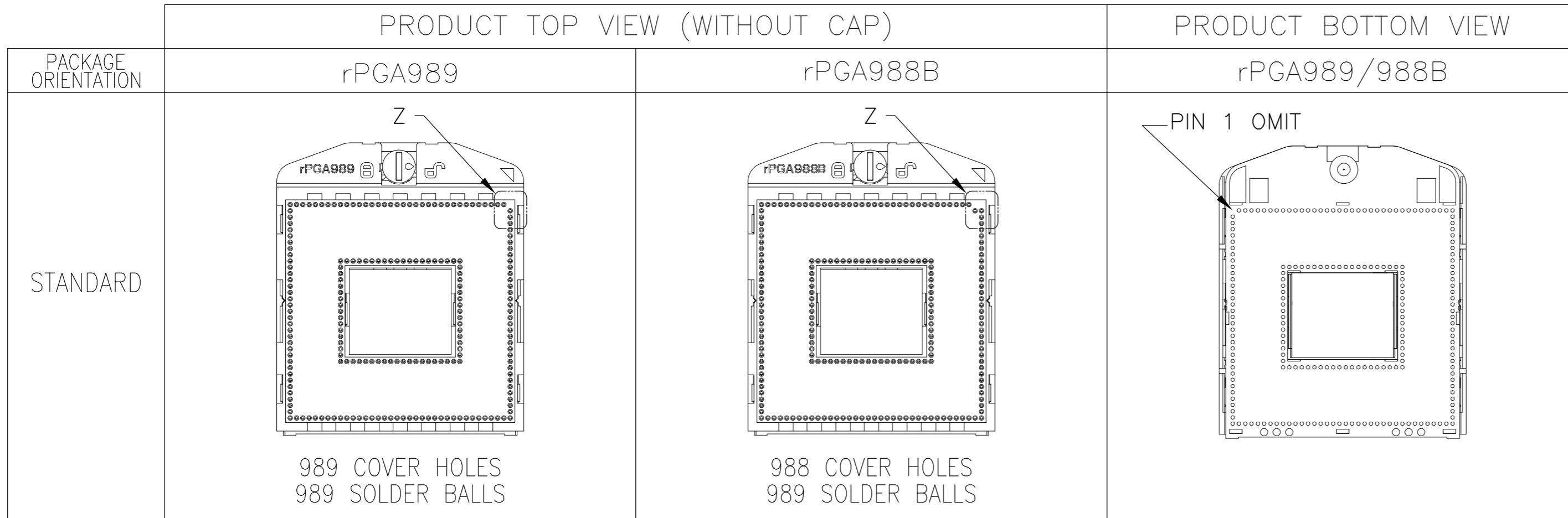
DIMENSIONS: 単位: 寸 mm	TOLERANCES UNLESS OTHERWISE SPECIFIED: 一般公差	DWN Y.TAKAHASHI 09JUL'11		NAME	
	0-PLC ±0.3 1-PLC ±0.3 2-PLC ±0.3 3-PLC ±0.3 4-PLC ±0.3 ANGLES ±1° FINISH 仕上	CHK H.TAGUCHI 09JUL'11		TE TE Connectivity	SOCKET ASSY
		APVD T.NAKASHIMA 09JUL'11			PRODUCT SPEC
		MATERIAL 材料 SEE NOTE		FINISH 仕上 SEE NOTE	製品規格 108-78884 APPLICATION SPEC 取付適用規格 114-5495

WEIGHT SEE TABLE
 CUSTOMER DRAWING

DRAWING NO. 番号 C=2174003
 SCALE 尺度 NTS SHEET 1 of 5 REV B

THIS DRAWING IS UNPUBLISHED. RELEASED FOR PUBLICATION SEP, 2011.
 © COPYRIGHT 2011 By Tyco Electronics Japan G.K. ALL RIGHTS RESERVED.

LOC	DIST	REVISIONS					
		P	LTR	DESCRIPTION	DATE	DWN	APVD
-	-	-	-	SEE SHEET 1	-	-	-



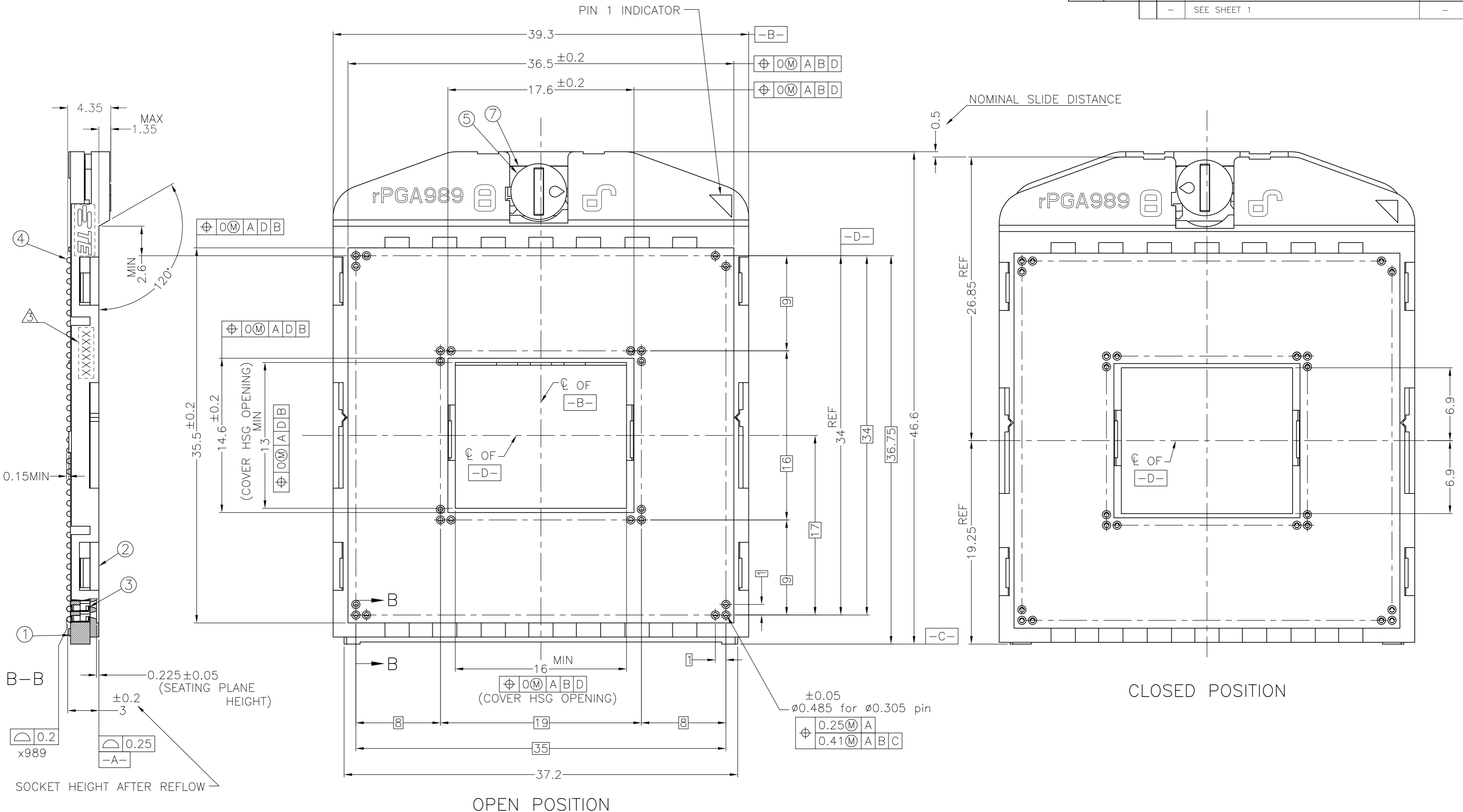
STANDARD (STD) CAP TYPE
2174003-X, 2-2174003-X AS SHOWN

RAISED CAP TYPE
4-2174003-X AS SHOWN

CAP ASSY CONDITION

THIS DRAWING IS A CONTROLLED DOCUMENT.		DWN	TE Connectivity	
DIMENSIONS: 単位: 寸 mm	TOLERANCES UNLESS OTHERWISE SPECIFIED: 一般公差	CHK	NAME 名称	
	0-PLC ±0.3 1-PLC ±0.3 2-PLC ±0.3 3-PLC ±0.3 4-PLC ±0.3 ANGLES ±1°	APVD	PRODUCT SPEC 製品規格	
	MATERIAL 材料	FINISH 仕上	APPLICATION SPEC 取付適用規格	SIZE CAGE CODE DRAWING NO 番号
		WEIGHT	A2 00779	RESTRICTED TO
		CUSTOMER DRAWING		SCALE 2 OF 5

LOC		DIST		REVISIONS			
P	LTR	DESCRIPTION		DATE	DWN	APVD	
-	-	SEE SHEET 1		-	-	-	



1. MATERIAL

- ① BASE HOUSING : HIGH TEMP, THERMOPLASTIC, UL94V-0
 - ② COVER HOUSING : HIGH TEMP, THERMOPLASTIC, UL94V-0
 - ③ CONTACT : COPPER ALLOY
FINISH : 0.00038 MIN Au PL. AT CONTACT AREA ON ALL OVER Ni UNDER PL. 0.00127 MIN.
 - ④ SOLDER BALL : Sn/Ag/Cu
 - ⑤ CAM : STAINLESS STEEL
 - ⑥ BASE PLATE : STAINLESS STEEL
 - ⑦ SLIDE PLATE : STAINLESS STEEL
 - ⑧ WASHER : STAINLESS STEEL
FINISH : W/O PL. OR BLACK Ni PL.
 - ⑨ PnP CAP : HIGH TEMP, THERMOPLASTIC, UL94V-0, BLACK
- △ CAM OPERATION ANGLE : 180DEG
 △ INDICATED DATE CODE ON THE HSG

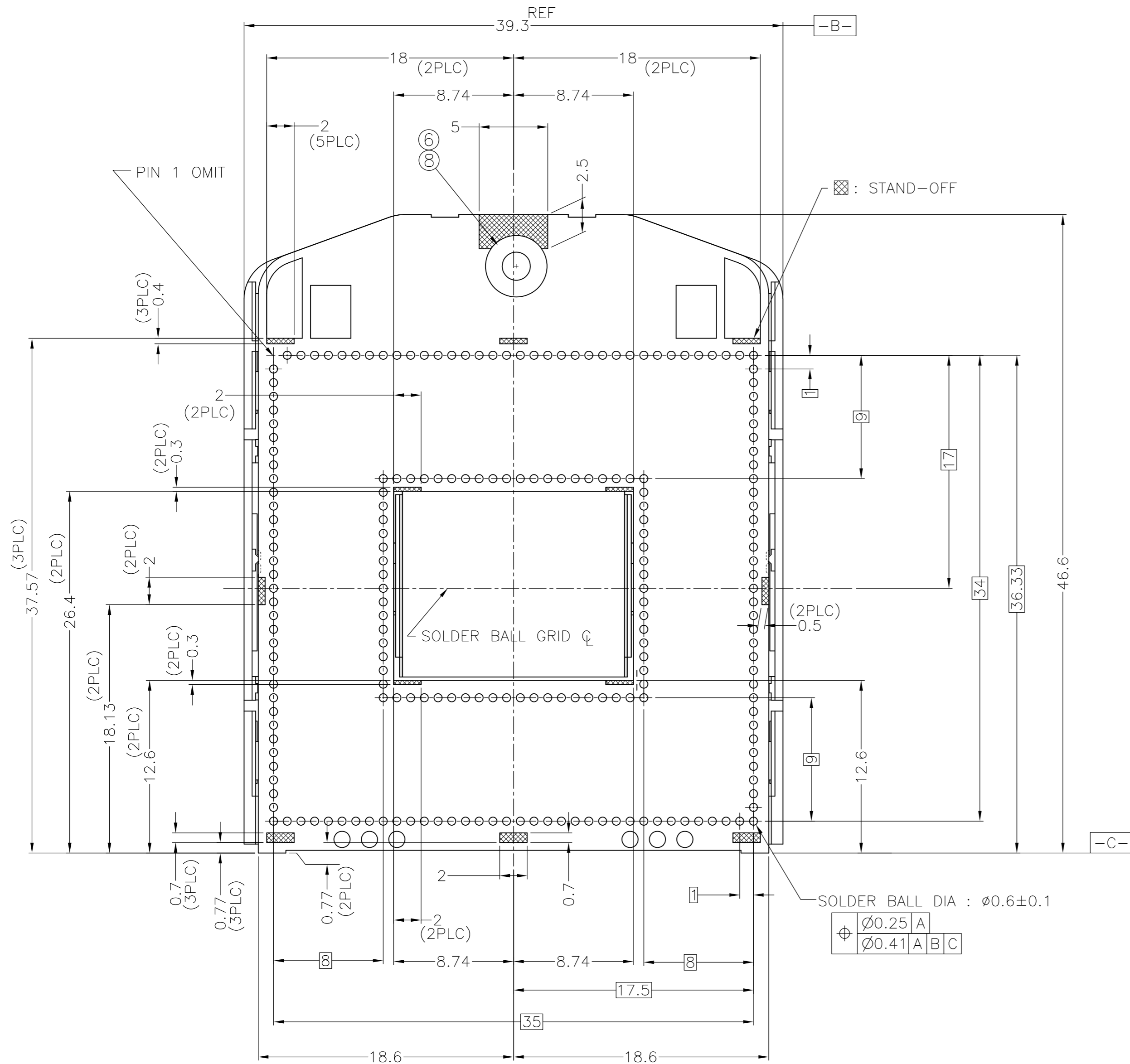
rPGA989 AS SHOWN
 CAP IS REMOVED

2174003-X, 4-2174003-X AS SHOWN

THIS DRAWING IS A CONTROLLED DOCUMENT.		DWN	TE Connectivity	
DIMENSIONS: 単位: 種 mm		CHK	NAME 名称	
TOLERANCES UNLESS OTHERWISE SPECIFIED: 一般公差		APVD	PRODUCT SPEC 製品規格	
①-PLC ±0.3		APPLICATION SPEC 取付適用規格		SIZE A2
②-PLC ±0.3		WEIGHT		CAGE CODE 00779
③-PLC ±0.3		MATERIAL 材料		DRAWING NO. 番号 C=2174003
④-PLC ±0.3		FINISH 仕上		RESTRICTED TO
ANGLES ±		CUSTOMER DRAWING		SCALE 尺度 NTS
FINISH 仕上		SHEET 3 OF 5		REV B

THIS DRAWING IS UNPUBLISHED. RELEASED FOR PUBLICATION SEP, 2011.
 © COPYRIGHT 2011 By Tyco Electronics Japan G.K. ALL RIGHTS RESERVED.

LOC		DIST		REVISIONS			
		P	LTR	DESCRIPTION	DATE	DWN	APVD
		-	-	SEE SHEET 1	-	-	-

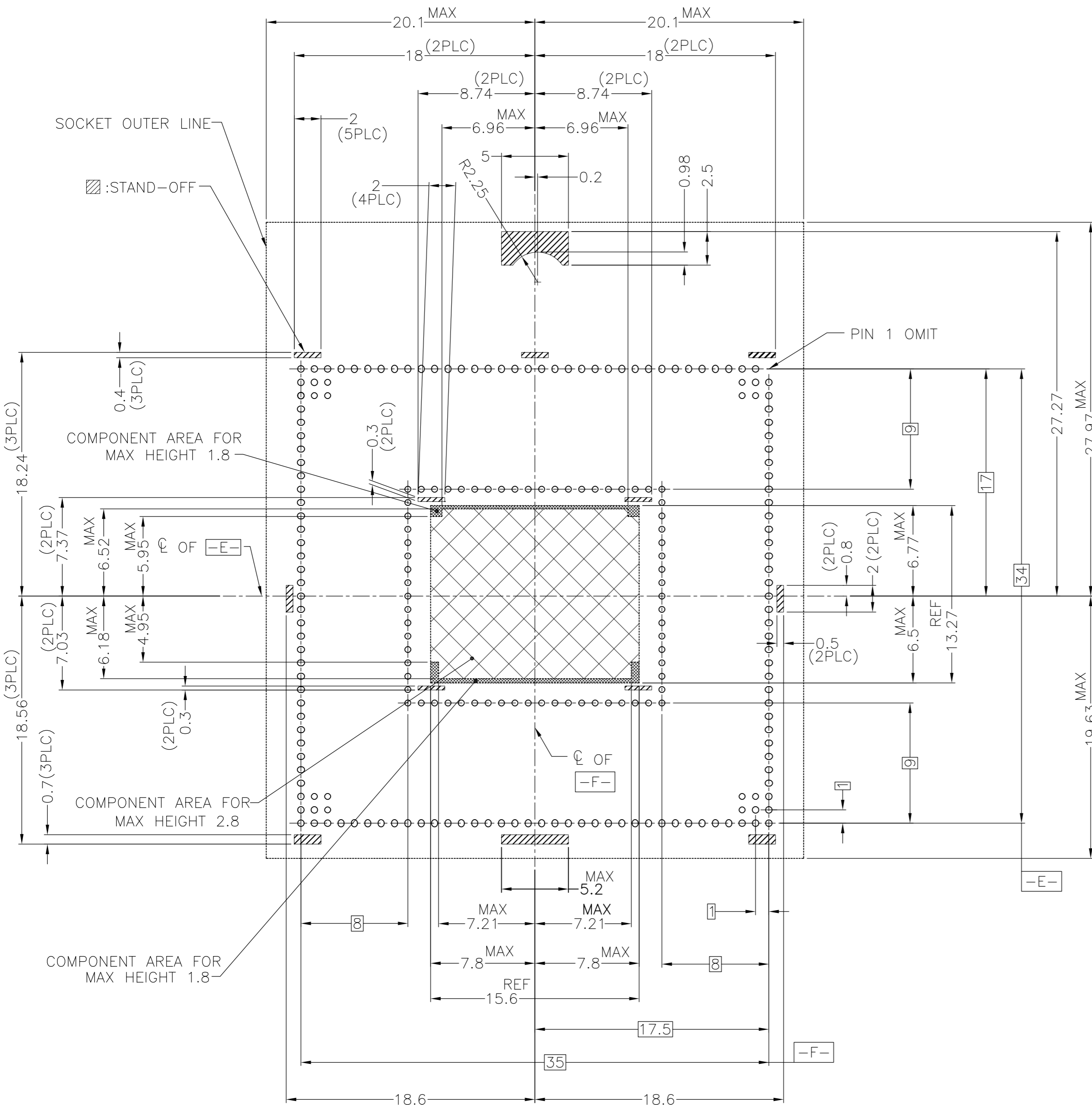


BOTTOM VIEW
(OPEN POSITION)

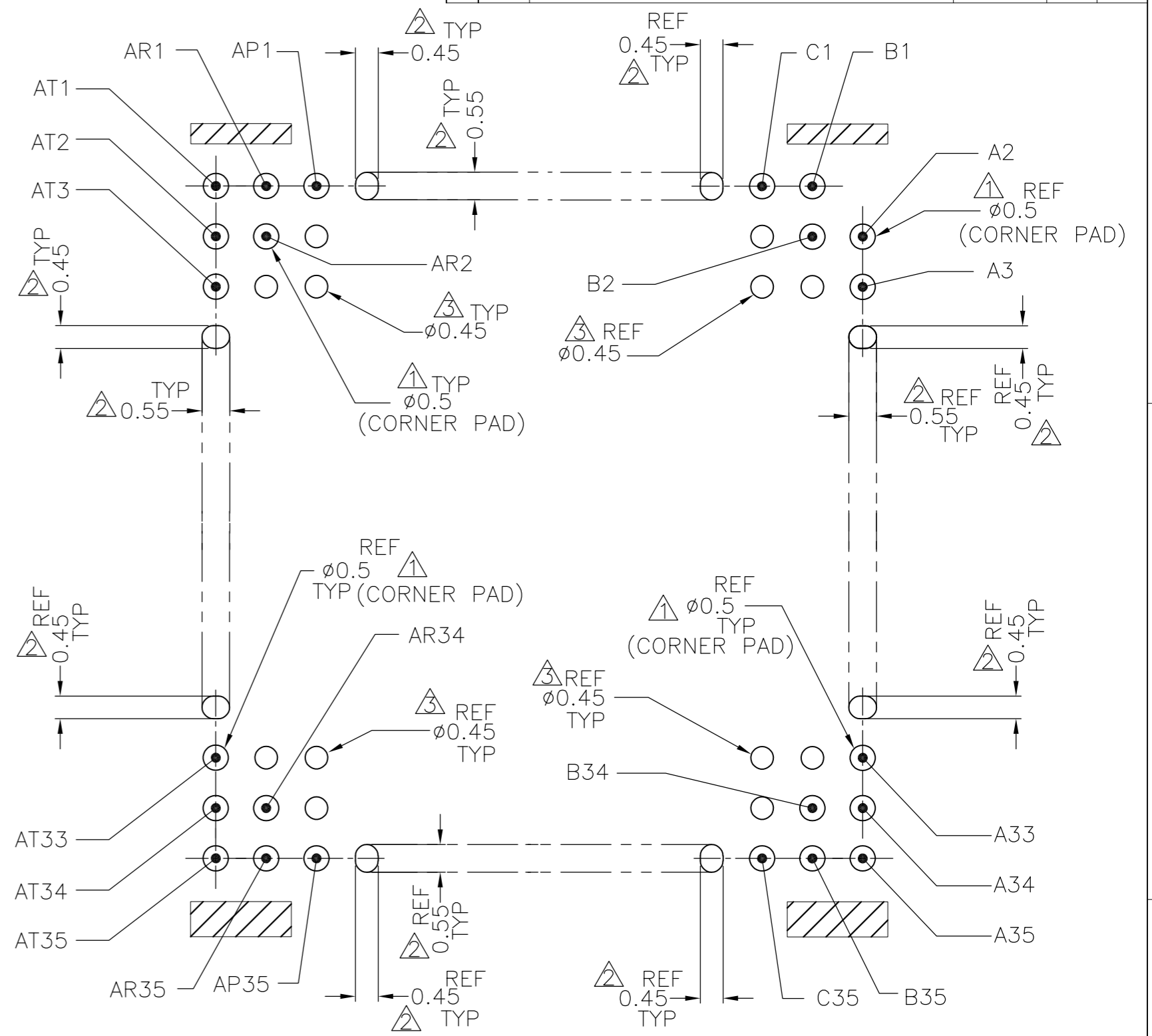
2174003-X, 2-2174003-X, 4-2174003-X AS SHOWN

THIS DRAWING IS A CONTROLLED DOCUMENT.		DWN	TE Connectivity	
DIMENSIONS: 単位: 寸 mm		CHK	NAME	
TOLERANCES UNLESS OTHERWISE SPECIFIED: 一般公差		APVD	SOCKET ASSY	
φ-PLC ±0.3		PRODUCT SPEC	rPGA989 & rPGA988X	
1-PLC ±0.3		APPLICATION SPEC	SIZE	CAGE CODE
2-PLC ±0.3		取付適用規格	A2	00779
3-PLC ±0.3		WEIGHT	DRAWING NO	RESTRICTED TO
4-PLC ±0.3			C=2174003	
ANGLES ±		CUSTOMER DRAWING	SCALE	SHEET
FINISH 仕上			NTS	4 OF 5
				REV B

LOC	DIST	P	LTR	REVISIONS	DATE	DWN	APVD
-	-	-	-	変更 DESCRIPTION	-	-	-
SEE SHEET 1							



PCB LAYOUT
 2174003-X, 2-2174003-X, 4-2174003-X AS SHOWN



DETAIL FOR CORNER PAD

NOTE(APPLIED TO SHEET 6 OF 6):
 △ METAL DEFINED PADS(∅0.5mm PAD/∅0.6mm SRO) OR SOLDER MASKED DEFINED PAD (∅0.6mm PAD WITH ∅0.5mm SRO) IS RECOMMENDED FOR CORNER PADS SHOWN BELOW, BUT NOT LIMITED, ANY PAD WHICH IS ON OR NEAR OUTSIDE ROWS IS ALSO APPLIED IF ROUTING PERMITS.
 APPLIED CORNER PADS LOCATION:
 A2,A3,B1,B2,C1,A33,A34,A35,B34,B35,C35,
 AP35,AR34,AR35,AT33,AT34,AT35,AP1,AR1,AR2,AT1,AT2,AT3
 △ OBLONG-SHAPE PADS ARE RECOMMENDED FOR THE PERIPHERAL PADS EXCEPT FOR THE PADS WHICH ARE DEFINED IN △:
 METAL DEFINED OBLONG PADS(0.45X0.55mm PAD/0.55X0.65mm SRO)
 SOLDER MASKED DEFINE OBLONG PADS(0.45X0.55mm SRO)
 △ ALL PADS EXCEPT FOR DEFINED IN △, △:
 METAL DEFINED PADS(∅0.45mm min PAD/0.55-0.65mm SRO)
 SOLDER MASKED DEFINED PADS(∅0.45mm SRO)
 THE NUMBER OF SOLDER MASKED DEFINED PADS SHOULD BE MINIMIZED AND AVOIDED NEAR CORNERS OR OUTER EDGES.

THIS DRAWING IS A CONTROLLED DOCUMENT.		DWN	TE Connectivity	
DIMENSIONS: 単位: 寸 mm		CHK	SOCKET ASSY rPGA989 & rPGA988X	
TOLERANCES UNLESS OTHERWISE SPECIFIED: 一般公差		APVD	SIZE	CAGE CODE
∅-PLC ±0.3	PRODUCT SPEC 製品規格	NAME	A2	00779
1-PLC ±0.3	APPLICATION SPEC 取付適用規格	DRAWING NO 番号	C=2174003	
2-PLC ±0.3	WEIGHT	RESTRICTED TO	-	
3-PLC ±0.3	FINISH 仕上	SCALE 尺度	NTS	
4-PLC ±0.3		SHEET	5 of 5	
ANGLES ±		REV	B	
		CUSTOMER DRAWING		