

DESCRIPTION: M8 FEMALE - CABLE MOUNT - SOLDER CUP - 3 POS.

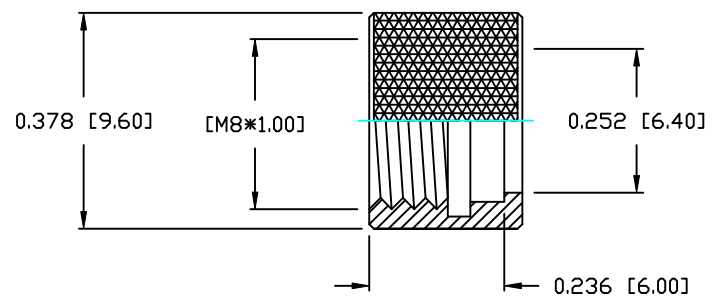
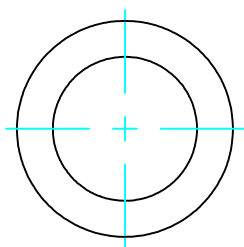
NOTE:

MATERIAL  
 HOUSING: PBT UL94V-0, BLACK  
 CONTACT: PHOSPHOR BRONZE  
 GROUND: BRASS  
 SHELL: BRASS  
 O-RING: NBR

FINISH  
 CONTACT: GOLD PLATED  
 UNDER PLATE: NICKEL  
 GROUND: NICKEL 60<sup>U+0426</sup> BRIGHT TIN  
 SHELL: NICKEL

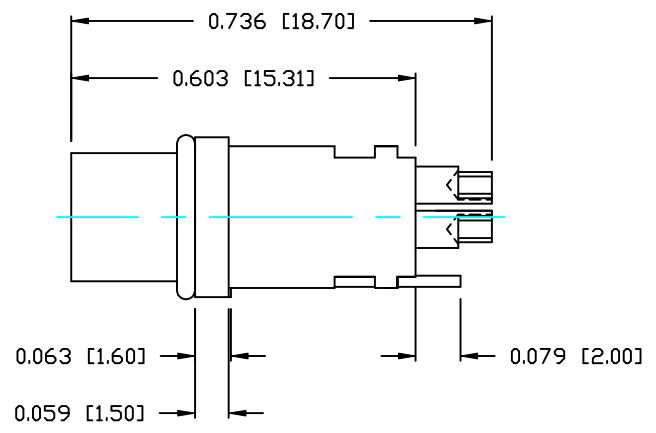
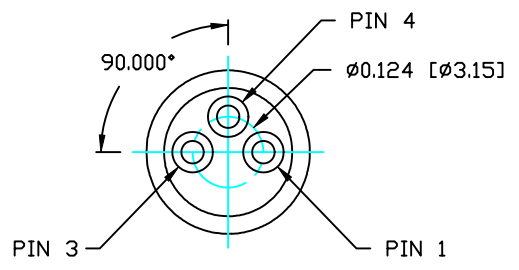
ELECTRICAL  
 RATED CURRENT: 5A  
 RATED VOLTAGE: 125V  
 INSULATOR RESISTANCE: 100 mOhms MIN.  
 CONTACT RESISTANCE: 10 MOhms MAX.  
 WATER PROOF: IP67

ENVIRONMENT  
 OPERATION TEMPERATURE: -40°C TO +85°C  
 WIRE GAUGE: 24-28 AWG



854-003-203RLSY

1 = GOLD FLASH  
 4 = 10u" GOLD



RoHS COMPLIANT

DO NOT SCALE FROM DRAWING



THESE DRAWINGS AND SPECIFICATIONS ARE THE PROPERTY OF NorComp AND SHALL NOT BE REPRODUCED, COPIED OR USED AS THE BASIS FOR THE MANUFACTURE OR SALE OF APPARATUS WITHOUT WRITTEN PERMISSION.

DRAWN: M. SIGMON  
 DATE: 03-04-16  
 CHECKED:  
 DATE:

NorComp

SCALE: N.T.S.  
 SHEET 1 OF 1  
 REV 1  
 DWG NO. 854-003-203RLSY