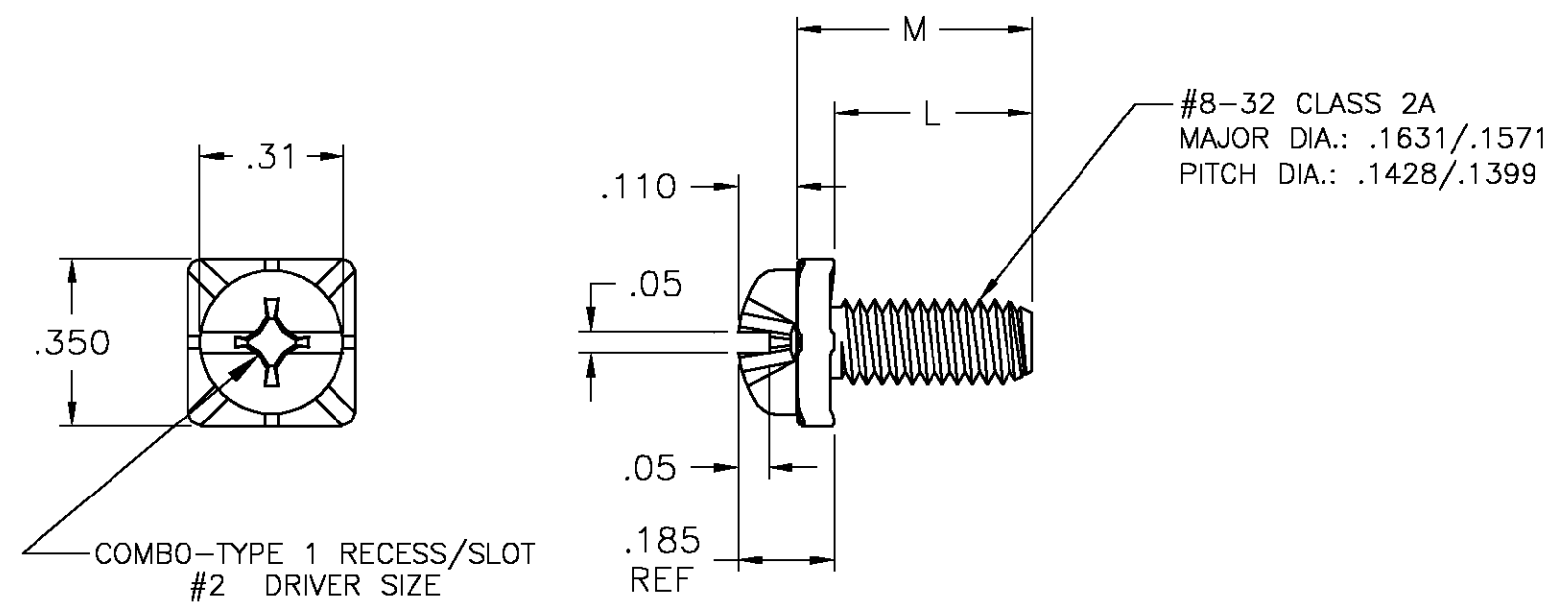


THIS DRAWING IS UNPUBLISHED. RELEASED FOR PUBLICATION
 © COPYRIGHT - BY TYCO ELECTRONICS CORPORATION. ALL RIGHTS RESERVED.

LOC	DIST	REVISIONS			
P	LTR	DESCRIPTION	DATE	DWN	APVD
FT	0	0	REVISED EC 0G3B-0100-04	2/6/04	SS SRY



ZINC W/ CLR CHROMATE	STEEL	.360 REF	.300/.270	3-1437644-1
NICKEL PLATE	BRASS	.360 REF	.300/.270	3-1437644-0
FINISH	MATERIAL	M	L	TYCO PART #

THIS DRAWING IS A CONTROLLED DOCUMENT.		DWN S. SCHLEGEL 2/6/04	BUCHANAN Tyco Electronics Corporation Harrisburg, Pa 17105-3608		
DIMENSIONS: INCHES		CHK S. YODER 2/6/04			
		APVD S. YODER 2/6/04	PRODUCT SPEC		
TOLERANCES UNLESS OTHERWISE SPECIFIED: 0 PLC ± - 1 PLC ± - 2 PLC ± .02 3 PLC ± .010 4 PLC ± - ANGLES ± -		APPLICATION SPEC		RESTRICTED TO	
MATERIAL		WEIGHT		SIZE A3	CAGE CODE 00779
FINISH		CUSTOMER DRAWING		DRAWING NO C-1546185	REV 0
SCALE NTS				SHEET 1 OF 1	REV 0