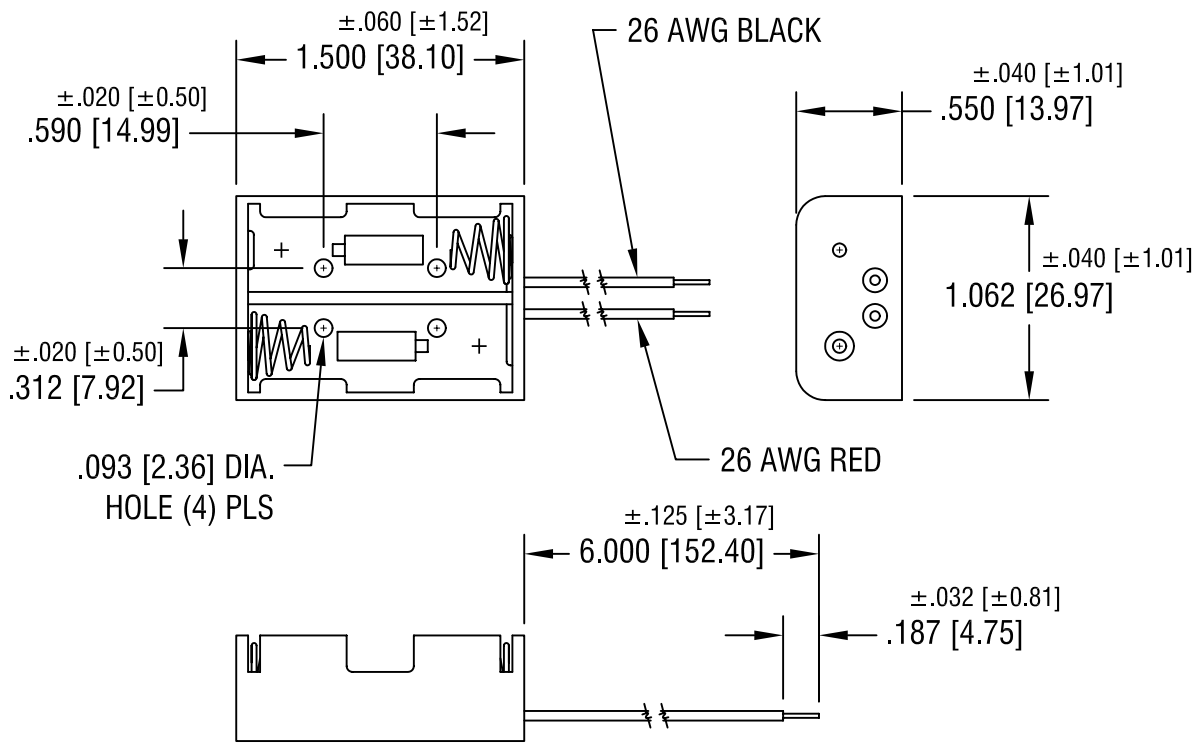
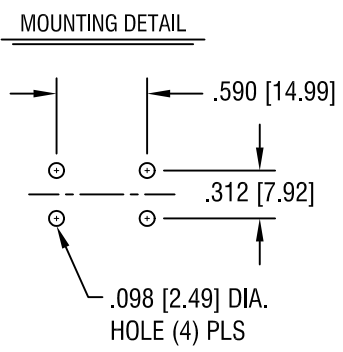


THIS DOCUMENT IS THE PROPERTY OF
KEYSTONE ELECTRONICS CORP. AND
SHALL NOT BE REPRODUCED, DISTRIBUTED
OR USED AS A BASIS FOR MANUFACTURE
WITHOUT PRIOR WRITTEN PERMISSION
FROM KEYSTONE ELECTRONICS CORP.



NOTE:
1. HOLDER: MAT'L: POLYPROPYLENE
SPRING: MAT'L: MUSIC WIRE, .020 [0.50] DIA.
FINISH: NICKEL PLATE

KEYSTONE ELECTRONICS CORP.			
ASTORIA, N.Y. 11105-2017			
PART NAME		BATTERY HOLDER (1) 'N'	
MATERIAL		AS NOTED	
FINISH		DRN BY	DATE
AS NOTED		BOONE	10.11.95
		APPD	SCALE
		LN	1X
11.8.99	CHANGE AS PER ECN 99-080	A	
DATE	DESCRIPTION	REV.	DWG NO.
			2473
TOLERANCES		INCH	[MM]
DECIMAL		±.015	[± 0.38]
ANGULAR		± 1°	
UNLESS OTHERWISE SPECIFIED		CODE	C/M

11.8.99	CHANGE AS PER ECN 99-080	A
DATE	DESCRIPTION	REV.