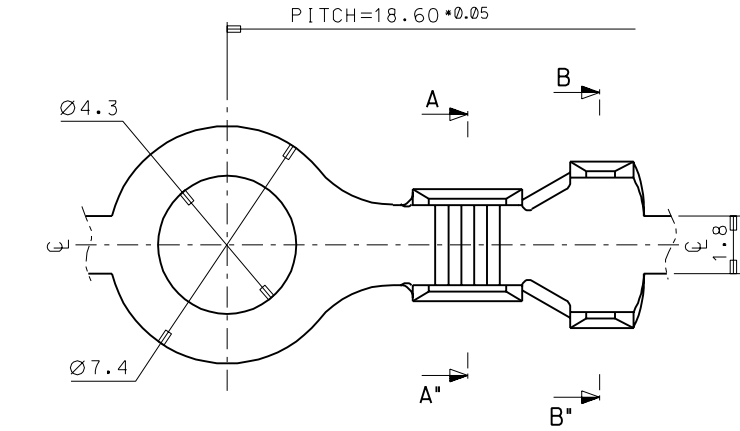
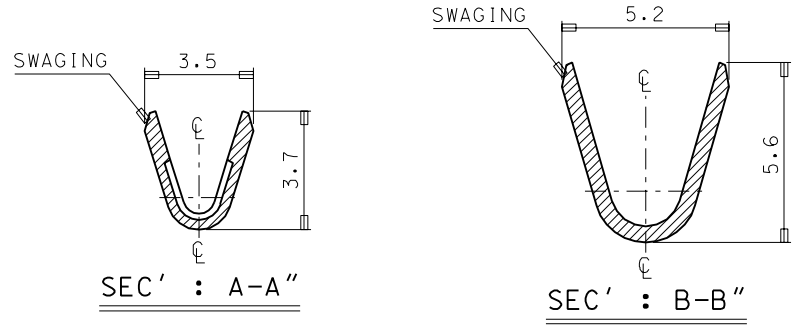
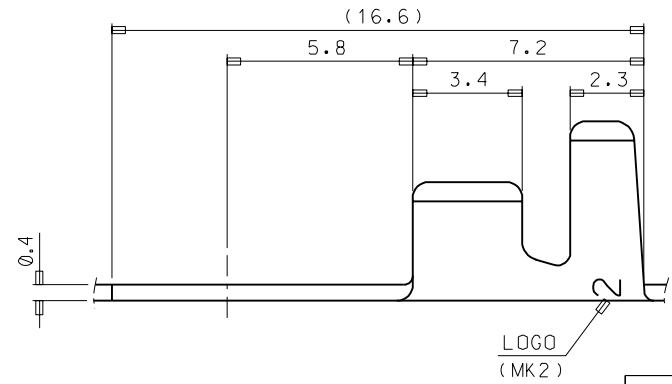


DWG. NO. SD 35750-0900
 PROJECT NO. SIMILAR ITEM
 ∅4.3 RING TERMINAL
 DO NOT SCALE DRAWING
 DIMENSION IN METRIC



- NOTES
- MATERIAL : BRASS , 0.4mm THICKNESS
 - FINISH : 35750-0900 (UNPLATED)
 35750-0910 (POST-PLATED TIN)
 35750-0920 (PRE-PLATED TIN)
 35750-0940 (POST-PLATED TIN-LEAD)
 - RECOMMENDED LENGTH OF WIRE STRIP IS 4.8-5.4mm.
 - APPLICABLE WIRE : AWG #18-#14 (0.75-2.08mm²)
 INSULATION DIA. : ∅3.2mm MAX.



1	D
1	C
1	B
1	A
SHT	REV
REVISE ON	CAD ONLY

REVISED EC NO. KOR1997-0165 DRWN: J.S.KANG CHK: B.K.CHOI APPR: C.W.LEE	QUALITY SYMBOLS MAJOR CRITICAL	GENERAL TOLERANCES: (UNLESS SPECIFIED)		SCALE	DESIGN UNITS	THIRD ANGLE PROJECTION	DIMENSIONS:		SHEET NO. 1 of 1
		mm	INCH	7:1	mm <input checked="" type="checkbox"/> INCH <input type="checkbox"/>		mm <input type="checkbox"/> INCH <input type="checkbox"/> mm ONLY <input checked="" type="checkbox"/>	REVISE ON CAD ONLY	
		4 PLACES	±0.	±.	DRAWN BY & DATE	TITLE:			
		3 PLACES	±0.	±.	J.S.KANG 97/12/04	∅4.3 RING TERMINAL			
2 PLACES	±0.2	±.	CHECKED BY & DATE	APPROVED BY & DATE		MOLEX INCORPORATED KOREA		MATERIAL NO. SEE NOTES	DRAWING NO. SD 35750-0900
1 PLACE	±0.3	±.	ANGULAR: ± 1°		CAD FILENAME	THIS DRAWING CONTAINS INFORMATION THAT IS PROPRIETARY TO MOLEX INCORPORATED AND SHOULD NOT BE USED WITHOUT WRITTEN PERMISSION.			
DRAFT WHERE APPLICABLE MUST REMAIN WITHIN DIMENSIONS				s7500900.dgn				B	